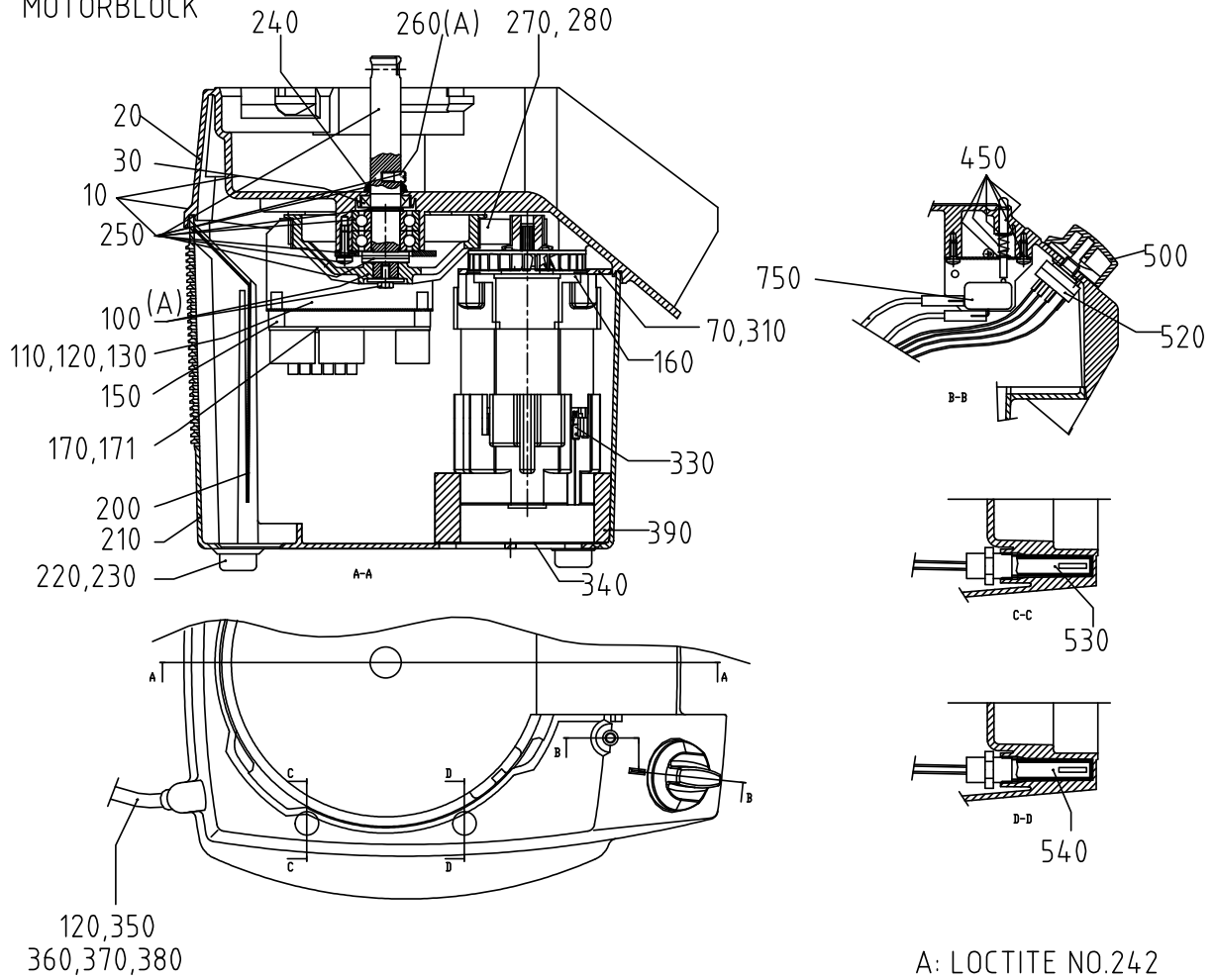
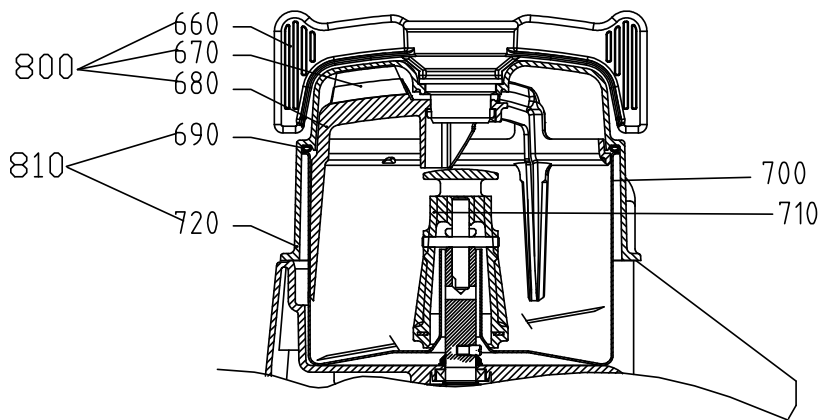


VCB-32

MOTOR BASE
MOTORBLOCK



CUTTER/MIXER BOWL ATTACHMENT SNABBHACKS-TILLSATS



VCB-32

| No. on drawing | Item No. | Description | Pcs |
|----------------|----------|---|-----|
| 10 | 1412 | Housing, top inkl knife shaft | 1 |
| 30 | 10259 | Rubber seal washer 18X30X7 | 1 |
| 70 | 14344 | Screw M5X12 | 4 |
| 100 | 1411 | Pulley,knife shaft compl. | 1 |
| 110 | 24293 | El.-plate, AM | 1 |
| 120 | 14851 | Screw MRT M4X10 A2 | 8 |
| 130 | 14084 | Lock washer FBB 4.1 A2 | 1 |
| 150 | 15527 | Bracket for PC-board AVC BS-9A | 4 |
| 160 | 14753 | Screw RT-PTF 5.0X20FZ | 4 |
| 170 | 24343 | PC-board CC 230 1 50 | 1 |
| 171 | 24344 | PC-board CC 110v,60 | 1 |
| 200 | 24176 | Protection plate | 1 |
| 210 | 24340 | Housing, base | 1 |
| 220 | 10494 | Rubber foot F-107 B | 4 |
| 230 | 14333 | Screw MRX-H M4X12 A2 70 | 4 |
| 240 | 10263 | Seal ring V-18A | 1 |
| 250 | 1415 | Knife shaft compl. | 1 |
| 260 | 24146 | Pin, knife shaft | 1 |
| 270 | 10679 | Belt GT 3MR 0408 18 | 1 |
| 280 | 24291 | Pulley wheel | 1 |
| 310 | 24292 | Bracket, motor AM | 1 |
| 330 | 15711 | Motor 220-240 1 50/60 | 1 |
| 340 | 24300 | Net | 1 |
| 350 | 15149 | Supply cord CB 1 phase CC-34/VCB-32/RG-50 | 1 |
| 360 | 10589 | Strain relief clamp 55-016-89 | 1 |
| 370 | 14336 | Screw MRT-H M4X25 A2 70 | 2 |
| 380 | 15422 | Cable support NK-5N | 1 |
| 390 | 24296 | Seal ring, fan | 1 |
| 450 | 1413 | Activator pin, safety switch | 1 |
| 500 | 24152 | Knob,speed cont with spring | 1 |
| 520 | 24294 | Rotary switch, CC-34-1 | 1 |
| 530 | 24278 | Magnetic switch,safety | 1 |
| 540 | 24274 | Magnetic switch,speed-control | 1 |
| 660 | 24134 | Scraper handle | 1 |
| 670 | 24132 | Scraper blade | 3 |
| 680 | 24135 | Scraper ring | 1 |
| 690 | 24133 | Seal ring dia.5 | 1 |
| 700 | 24151 | Bowl 3L | 1 |
| 710 | 24153 | Knife unit | 1 |
| 720 | 24172 | Lid | 1 |
| 750 | 24335 | Micro switch unit compl AM UL | 1 |
| 800 | 24244 | Scraper assy | 1 |
| 810 | 24245 | Lid incl. seal ring | 1 |