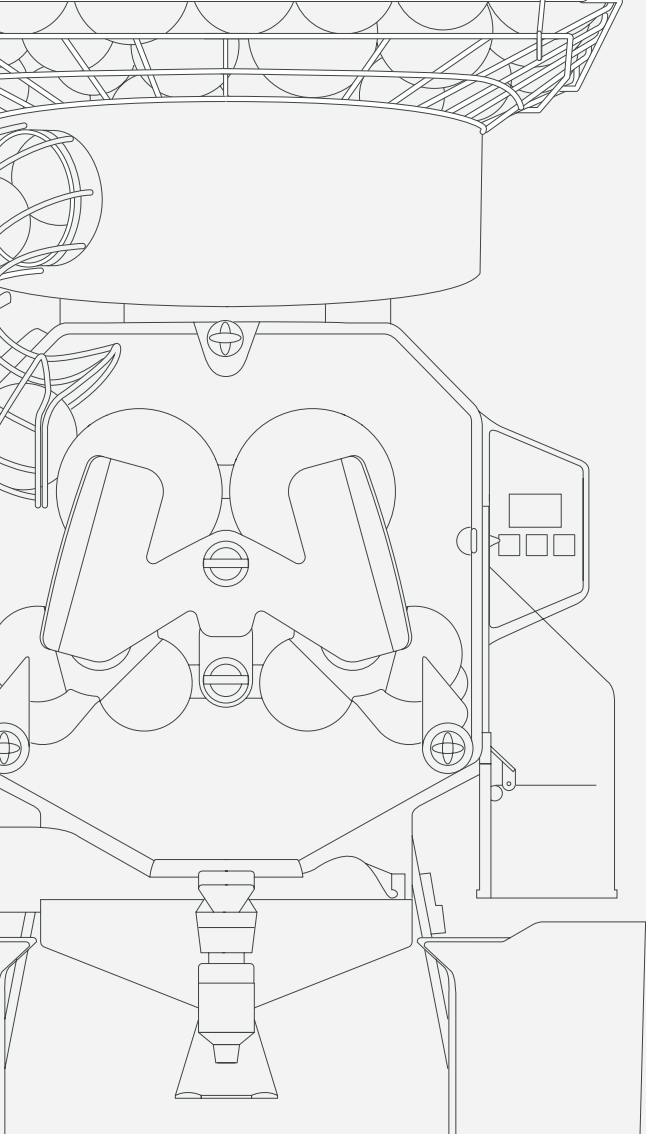


# Speed

DESIGNED FOR EFFICIENCY

---





Speed **S** +plus

**ENGLISH.** USER'S MANUAL 36

**ESPAÑOL.** MANUAL DE USUARIO 74

**FRANÇAIS.** MANUEL DE L'UTILISATEUR 112

**DEUTSCH.** BEDIENUNGSANLEITUNG 150

**ITALIANO.** MANUALE D'USO 188

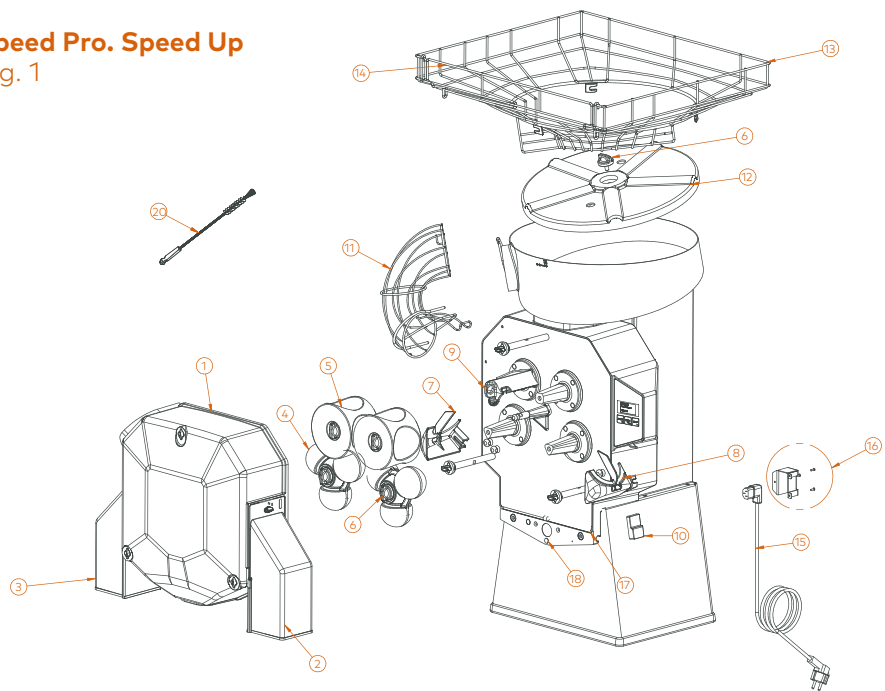
Speed **Pro** | Speed **Up** | Speed **S<sup>+</sup>plus**

## ANNEX

Drawing and description  
Figuras y descripción general  
Figures et vue d'ensemble  
Abbildung und Beschreibung  
Figure e descrizione generale

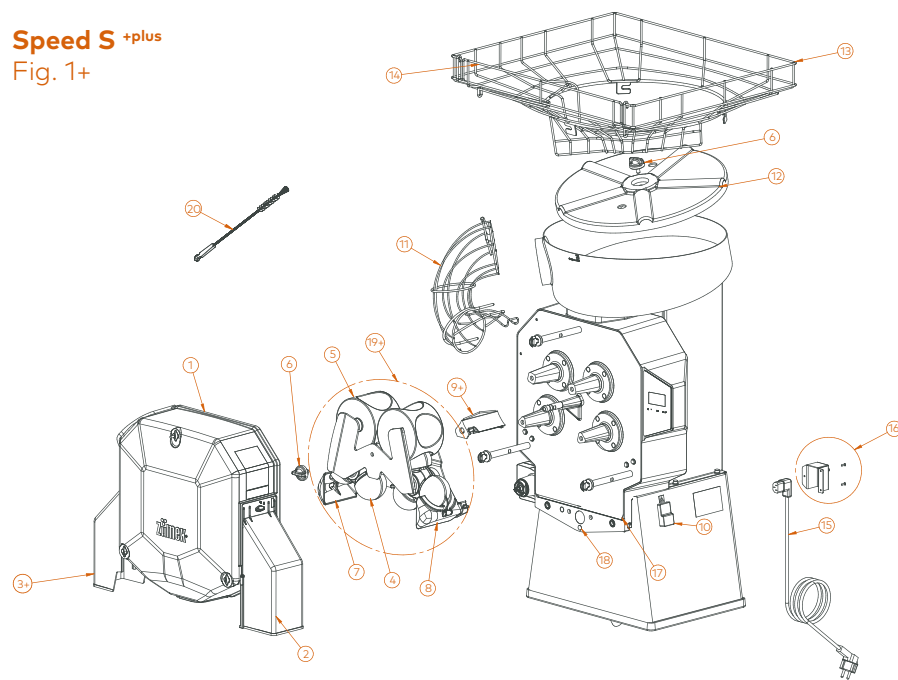
## Speed Pro. Speed Up

Fig. 1



## Speed S +plus

Fig. 1+



EN

1	SPEED PRO COVER
2	RIGHT COVER SIDE OUTLET
3	LEFT COVER SIDE OUTLET
4	LOWER PRESSING UNIT
5	UPPER PRESSING UNIT
6	PLASTIC SECURING KNOB
7	LEFT PEEL EJECTOR
8	RIGHT PEEL EJECTOR
9	BLADE HOLDER
10	BUTTON RUBBER PROTECTION
11	FEEDER ELBOW D85 WITH LOCKING SYSTEM
12	FEEDER PLATE
13	FEEDER BASKET
14	FEEDER BASKET DOOR
15	POWER CABLE
16	CABLE PROTECTOR
17	SS/TANK TRAY GASKET
18	CONTAINER BOLT
20	BRUSH

ES

1	CUBIERTA SPEED PRO
2	SALIDA LATERAL CUBIERTA DERECHA
3	SALIDA LATERAL CUBIERTA IZQUIERDA
4	TAMBOR MACHO PLÁSTICO
5	TAMBOR HEMBRA PLÁSTICO
6	VOLANTE PLÁSTICO INYECCIÓN
7	CUÑA EXTRACTORA IZQUIERDA
8	CUÑA EXTRACTORA DERECHA
9	PORTACUCHILLAS
10	GOMA PROTECCIÓN PULSADOR
11	CODO ALIMENTACIÓN D85 CON BLOQUEO
12	PLATEAU ALIMENTADOR
13	CAJON ALIMENTADOR
14	PUERTA CAJON ALIMENTADOR
15	CABLE ALIMENTACIÓN
16	PROTECTOR CABLE
17	UNTA CUBETA SS/TANK
18	ESPARRAGO CUBETA
20	CEPILLO

FR

1	CAPOT SPEED PRO
2	SORTIE LATÉRALE CAPOT DROITE
3	SORTIE LATÉRALE CAPOT GAUCHE
4	TROMMELENSATZ KUNSTSTOFF
5	TROMMELGEHÄUSE KUNSTSTOFF
6	ECROU PAPILLON PLASTIQUE INJECTION
7	EXTRACTEUR D'ÉCORCE GAUCHE
8	EXTRACTEUR D'ÉCORCE DROITE
9	PORTE-LAMES
10	CACHE-INTERRUPTEUR
11	COUDE D'ALIMENTATION D85 À FERMETURE
12	PLATEAU CHARGEUR
13	PANIER CHARGEUR
14	PORTE DU PANIER CHARGEUR
15	CÂBLE D'ALIMENTATION ÉLECTRIQUE
16	PROTECTEUR CÂBLE
17	JOINT BAC SS/TANK
18	GOULJON BAC
20	BROSSE

DE

1	ABDECKUNG SPEED PRO
2	SEITLICHE AUSGANGSÖFFNUNG ABDECKUNG RECHTS
3	SEITLICHE AUSGANGSÖFFNUNG ABDECKUNG LINKS
4	TROMMELENSATZ KUNSTSTOFF
5	TROMMELGEHÄUSE KUNSTSTOFF
6	SICHERHEITSSCHRAUBE SPRITZKUNSTSTOFF
7	ENTSAFTERKVEL LINKS
8	ENTSAFTERKVEL RECHTS
9	MESSERHALTER
10	TASTENSCHUTZGLIMMI
11	ZUFÜHRUNGSBOGEN D85 MIT ARRETIERUNG
12	ZUFÜHRUNGSSTELLER
13	ZUFÜHRUNGSKORB
14	TÜR ZUFÜHRUNGSKORB
15	ANSCHLUSSKABEL
16	KABELSCHUTZ
17	DICHTUNG BEHÄLTER SS/TANK
18	BOLZEN BEHÄLTER
20	BÜRSTE

IT

1	CARTER SPEED PRO
2	USCITA LATERALE CARTER DESTRO
3	USCITA LATERALE CARTER SINISTRO
4	TAMBURO MASCHO PLASTICA
5	TAMBURO FEMMINA PLASTICA
6	VITE DI SICUREZZA PLASTICA INIEZIONE
7	ESTRATTORE DI BUCCE SINISTRO
8	ESTRATTORE DI BUCCE DESTRO
9	PORTALAMA
10	INVESTIMENTO PROTETTIVO IN GOMMA PULSANTE
11	TUBO A GOMITO ALIMENTATORE D85 CON BLOCCAGGIO
12	PIATTO ALIMENTATORE
13	CESTA ALIMENTATORE
14	PORTACESTA ALIMENTATORE
15	CAVIO DI ALIMENTAZIONE
16	GUAINA CAVIO
17	GUARNIZIONE VASCHETTA SS/TANK
18	BULLONE VASCHETTA
20	SPAZZOLA

EN

3+	LEFT COVER SIDE OUTLET
9+	BLADE HOLDER
19+	1STEP KIT

ES

3+	SALIDA LATERAL CUBIERTA IZQUIERDA
9+	PORTACUCHILLAS
19+	KIT 1STEP

FR

3+	SORTIE LATÉRALE CAPOT GAUCHE
9+	PORTE-LAMES
19+	KIT 1STEP

DE

3+	SEITLICHE AUSGANGSÖFFNUNG ABDECKUNG LINKS
9+	MESSERHALTER
19+	PRESSWERK-MODUL 1STEP

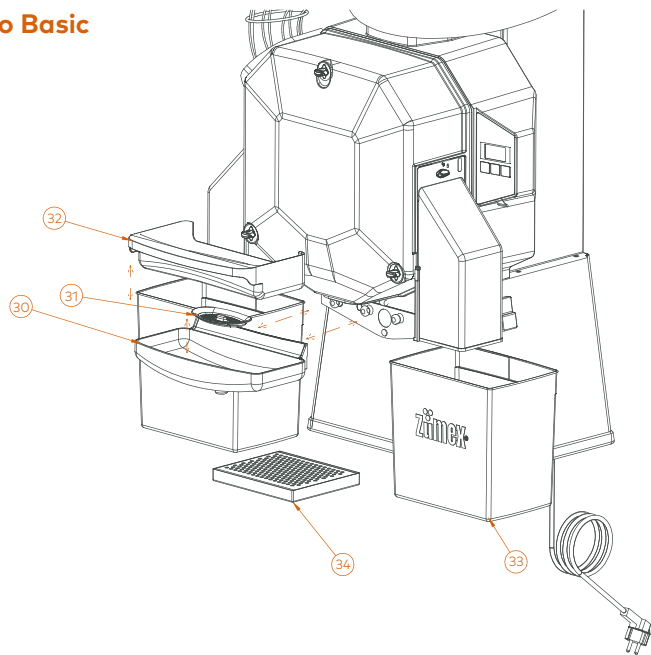
IT

3+	USCITA LATERALE CARTER SINISTRO
9+	PORTALAMA
19+	KIT 1STEP

SS: Self Service / Self Service All-in-One. Tank: Tank All-in-One. Cooler: Cooler Podium.

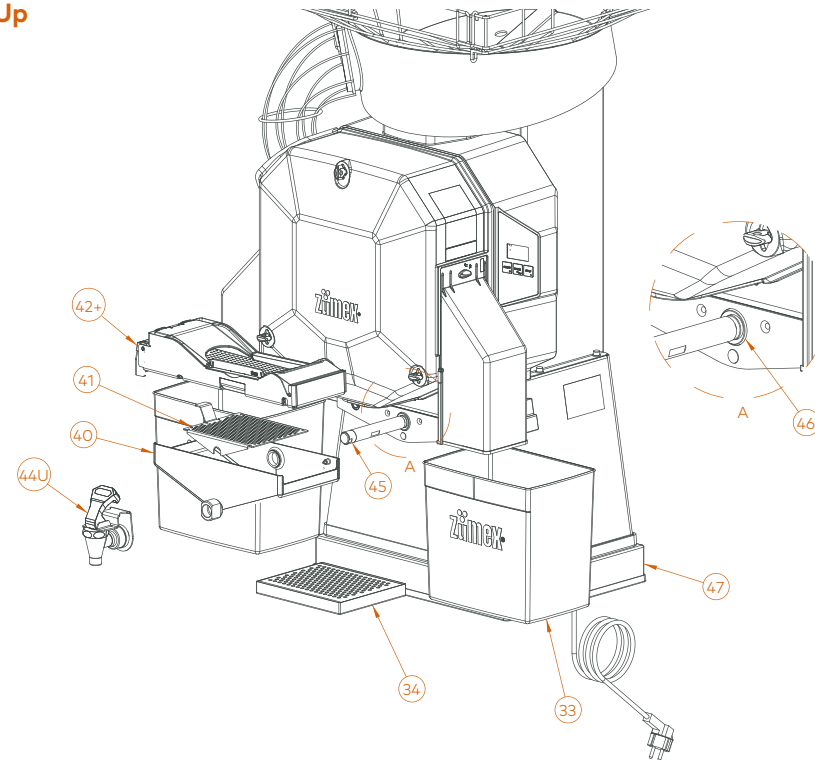


**Speed Pro Basic**  
Fig. 2



EN	ES	FR	DE	IT
30	PLASTIC JUICE CONTAINER	CUBETA ZUMO PLÁSTICO	BAC À JUS EN PLASTIQUE	VASCETTA SUCCO PLASTICA
31	PLASTIC INNER FILTER	FILTRO INTERIOR PLÁSTICO	FILTRE INTÉRIEUR EN PLASTIQUE	FILTRO INTERNO PLASTICA
32	PLASTIC JUICE FILTER	FILTRO ZUMO PLÁSTICO	FILTRE À JUS EN PLASTIQUE	FILTRO SUCCO PLASTICA
33	PEEL BUCKET	CUBETA CORTEZAS	BAC À DÉCHETS	VASCETTA BUCCÉ
34	DRIP TRAY	BANDEJA GÓTEO	BAC ANTIGOUTTES	VASCETTA RACCOGLIGOCCE
			SAPFBEHÄLTER KUNSTSTOFF	
			INNENFILTER KUNSTSTOFF	
			SAFTFILTER KUNSTSTOFF	
			SCHALENBÄHLER	
			TROPFAUFANGSCHALE	

**Speed Up**  
Fig. 3U

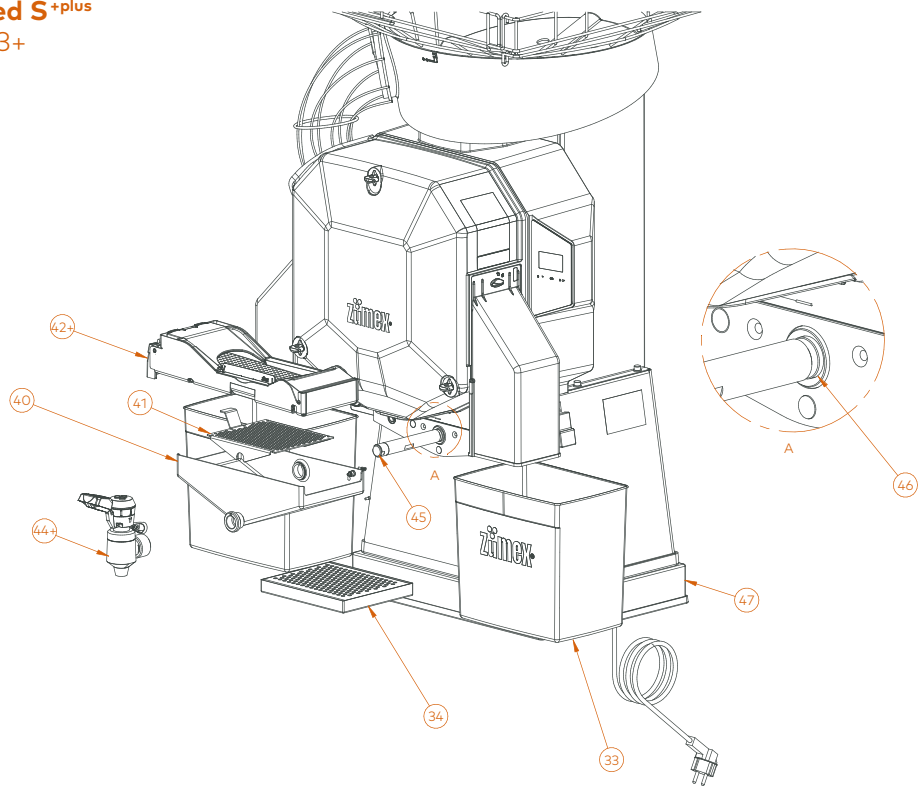


EN	ES	FR	DE	IT
33	PEEL BUCKET	CUBETA CORTEZAS	BAC À DÉCHETS	VASCETTA BUCCÉ
34	DRIP TRAY	BANDEJA GÓTEO	BAC ANTIGOUTTES	VASCETTA RACCOGLIGOCCE
40	SS JUICE CONTAINER	CUBETA ZUMO SS	BAC À JUS SS	VASCETTA SUCCO SS
41	SS SUB-FILTER	SUBFILTRO SS	SOUS-FILTRE SS	SOTTOFILTRO SS
42+	AUTOMATIC PULPOUT SYSTEM	SISTEMA PULPOUT AUTOMÁTICO	SYSTÈME PULPOUT AUTOMATIQUE	SISTEMA PULPOUT AUTOMATICO
44U	SS UP TAP	GRIFO SS UP	ROBINET SS UP	RUBINETTO SS UP
45	TAP DETECTOR TUBE	TUBO DETECTOR DE GRIFO	TUBE DÉTECTEUR DE NIVEAU ROBINET	TUBO SENSORE DI RUBINETTO
46	DETECTOR TUBE GASKET	JUNTA TUBO DETECTOR	JOINT TUBO DÉTECTEUR	GIARNIZIONE TUBO SENSORE
47	MACHINE SUPPLEMENT	SUPLEMENTO MÁQUINA	ACCESSOIRE DE LEVAGE MACHINE	SUPPLEMENTO MACCHINA
			SCHALENBÄHLER	
			TROPFAUFANGSCHALE	
			SS SAFTBEHÄLTER	
			SS UNTERFILTER	
			AUTOMATISCHES PULPOUT-SYSTEM	
			SS-HAHN UP	
			SENSORROHR HAHN	
			DICHTUNG SENSORROHR	
			ERGÄNZUNGSTEIL MASCHINE	



## Speed S<sup>+</sup>plus

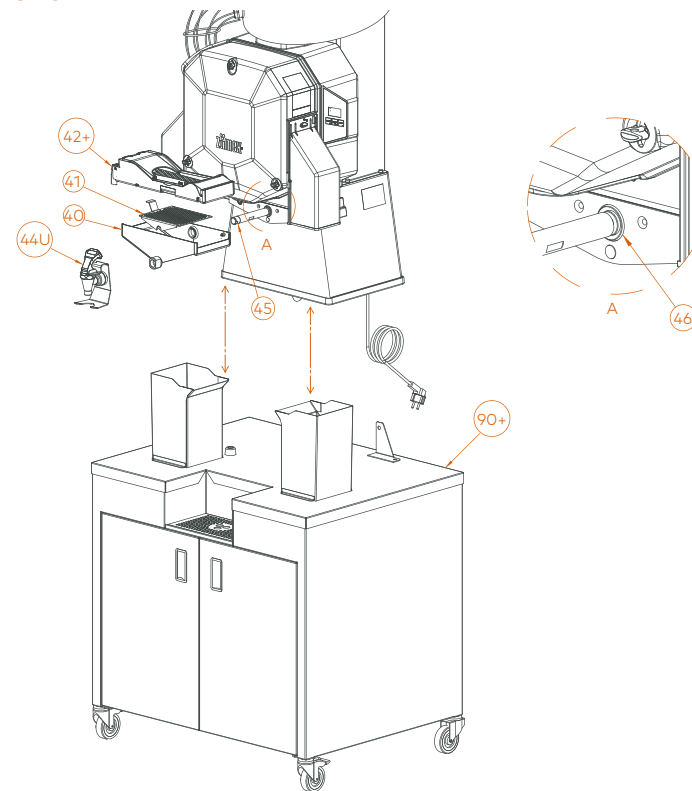
Fig. 3+



EN	ES	FR	DE	IT	
42+ 44+	AUTOMATIC PULPOUT SYSTEM SS S +PLUS TAP	SISTEMA PULPOUT AUTOMÁTICO GRIFO SS S +PLUS	SYSTÈME PULPOUT AUTOMATIQUE ROBINET SS S +PLUS	AUTOMATISCHES PULPOUT-SYSTEM SS-HAHN S +PLUS	SISTEMA PULPOUT AUTOMATICO RUBINETTO SS S +PLUS

## Speed Up All-in-One

Fig. 4U

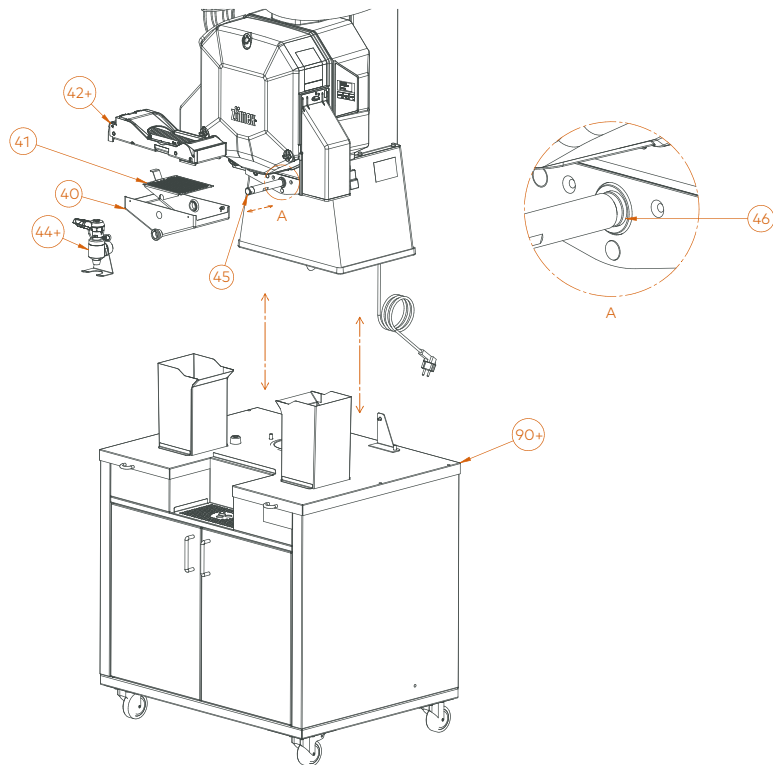


EN	ES	FR	DE	IT	
40	SS JUICE CONTAINER	CUBETA ZUMO SS	BAC À JUS SS	SS SAFTBEHÄLTER	VASCHETTA SUCCO SS
41	SS SUB-FILTER	SUBFILTRO SS	SOUS-FILTRE SS	UNTERFILTER SS	SOTTOFILTRO SS
42+	AUTOMATIC PULPOUT SYSTEM	SISTEMA PULPOUT AUTOMÁTICO	SYSTÈME PULPOUT AUTOMATIQUE	AUTOMATISCHES PULPOUT-SYSTEM	SISTEMA PULPOUT AUTOMATICO
44U	SS UP TAP	GRIFO SS UP	ROBINET SS UP	SS-HAHN UP	RUBINETTO SS UP
45	TAP DETECTOR TUBE	TUBO DETECTOR DE GRIFO	TUBE DETECTEUR DE NIVEAU ROBINET	SENSORROHR HAHN	TUBO SENSORE DI RUBINETTO
46	DETECTOR TUBE GASKET	JUNTA TUBO DETECTOR	JOINT TUBE DÉTECTEUR	DICHTUNG SENSORROHR	GUARNIZIONE TUBO SENSORE
90+	UP PODIUM	PODIUM UP	PODIUM UP	PODIUM UP	PODIUM UP



# Speed S<sup>plus</sup> All-in-One

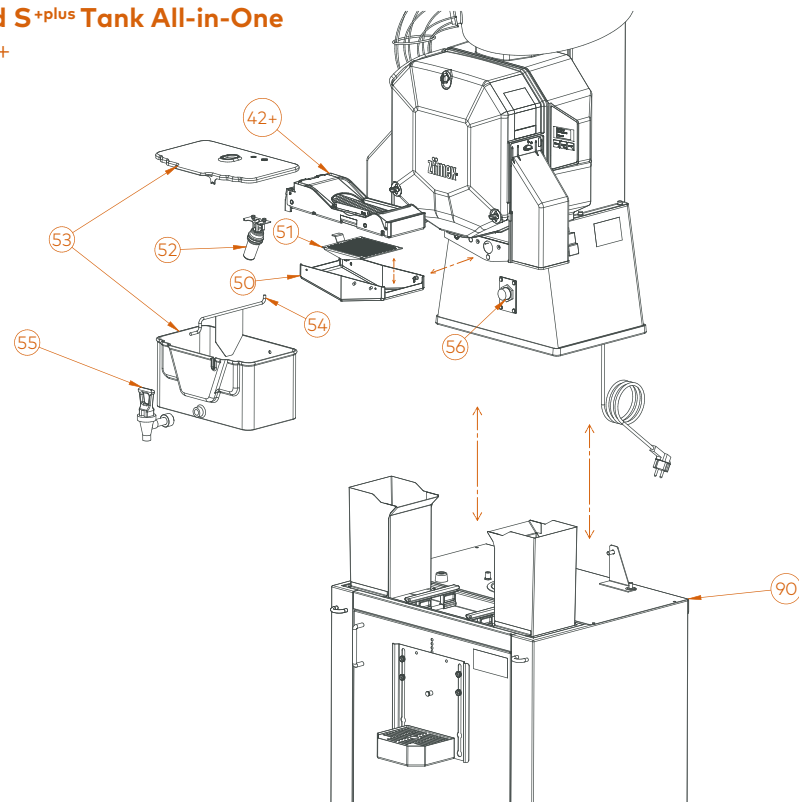
Fig. 4+



EN	ES	FR	DE	IT
42+	SISTEMA PULPOUT AUTOMÁTICO	SYSTÈME PULPOUT AUTOMATIQUE	AUTOMATISCHES PULPOUT-SYSTEM	SISTEMA PULPOUT AUTOMATICO
44+	GRIFO SS S <sup>+</sup> +PLUS	ROBINET SS S <sup>+</sup> +PLUS	SS-HAHN S <sup>+</sup> +PLUS	RUBINETTO SS S <sup>+</sup> +PLUS
90+	PODIUM SS S <sup>+</sup> +PLUS	PODIUM SS S <sup>+</sup> +PLUS	PODIUM SS S <sup>+</sup> +PLUS	PODIUM SS S <sup>+</sup> +PLUS

# Speed S<sup>plus</sup> Tank All-in-One

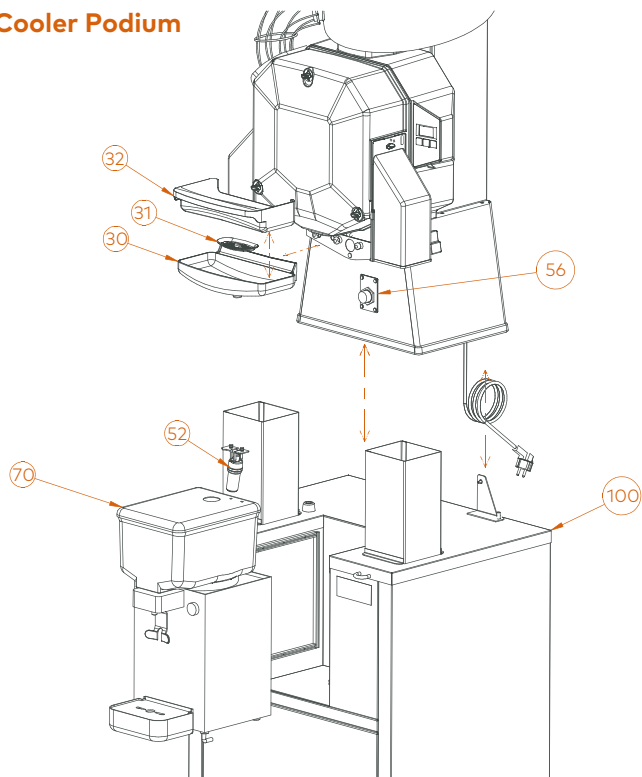
Fig. 5+



EN	ES	FR	DE	IT
42+	SISTEMA PULPOUT AUTOMÁTICO	SYSTÈME PULPOUT AUTOMATIQUE	AUTOMATISCHES PULPOUT-SYSTEM	SISTEMA PULPOUT AUTOMATICO
50	CUBETA ZUMO TANK	BAC A JUS TANK	SAFTBEHÄLTER TANK	VASCETTA SUCCO TANK
51	SUBFILTER TANK	SOUS-FILTRE TANK	UNTERFILTER TANK	SOTTOFILTRO TANK
52	BOYA TANK/COOLER	FLÔTEUR TANK/COOLER	SCHWIMMER TANK/COOLER	GALLEGGIANTE TANK/COOLER
53	TANK	TANK	TANK	TANK
54	AGITADOR	MÉLANGEUR	RÜHRELEMENT	AGITATORE
55	GRIFO TANK	ROBINET TANK	FÜLLSTANDENSOR	RUBINETTO TANK
56	DETECTOR DE NIVEL	DÉTECTEUR DE NIVEAU	PODIUM SS/TANK	SENSORE DI LIVELLO
90	PODIUM SS/TANK	PODIUM SS/TANK	PODIUM SS/TANK	PODIUM SS/TANK

## Speed Pro Cooler Podium

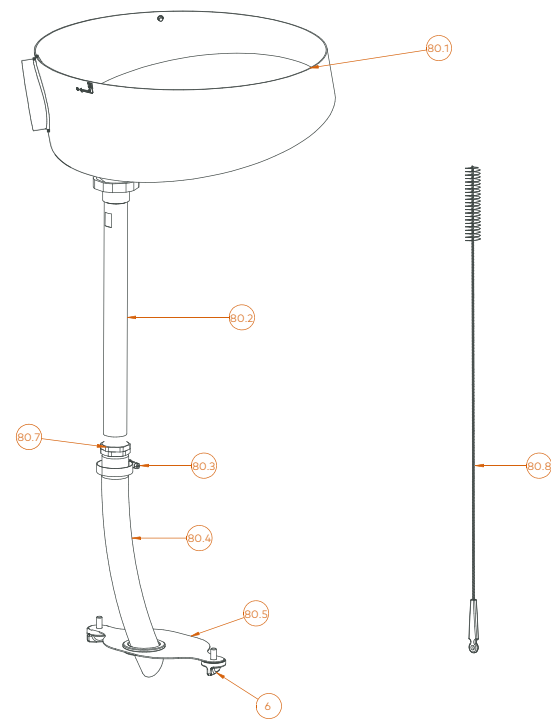
Fig. 6



EN	ES	FR	DE	IT	
30	PLASTIC JUICE CONTAINER	CUBETA ZUMO PLÁSTICO	BAC À JUS EN PLASTIQUE	SAFTBEHÄLTER KUNSTSTOFF	VASCHETTA SUCCO PLASTICA
31	PLASTIC INNER FILTER	FILTRO INTERIOR PLÁSTICO	FILTRE INTÉRIEUR EN PLASTIQUE	INNENFILTER KUNSTSTOFF	FILTRO INTERNO PLASTICA
32	PLASTIC JUICE FILTER	FILTRO ZUMO PLÁSTICO	FILTRE À JUS EN PLASTIQUE	SAFTFILTER KUNSTSTOFF	FILTRO SUCCO PLASTICA
52	TANK / COOLER BUOY	BOYA TANK/COOLER	FLOTTEUR TANK/COOLER	SCHWIMMER TANK/COOLER	GALLEGGIANTE TANK/COOLER
56	LEVEL DETECTOR	DETECTOR DE NIVEL	SENSEUR DE NIVEAU	FÜLLSTANDSENSOR	SENSORE DI LIVELLO
70	COOLER UNIT	CONJUNTO ENFRÍADOR	ENSEMBLE REFRIGÉRISSEUR	KÜHLEINHEIT	SISTEMA REFRIGERANTE
100	COOLER PODIUM	PODIUM COOLER	PODIUM COOLER	PODIUM COOLER	PODIUM COOLER

## Drain&Clean

Fig. 7.1

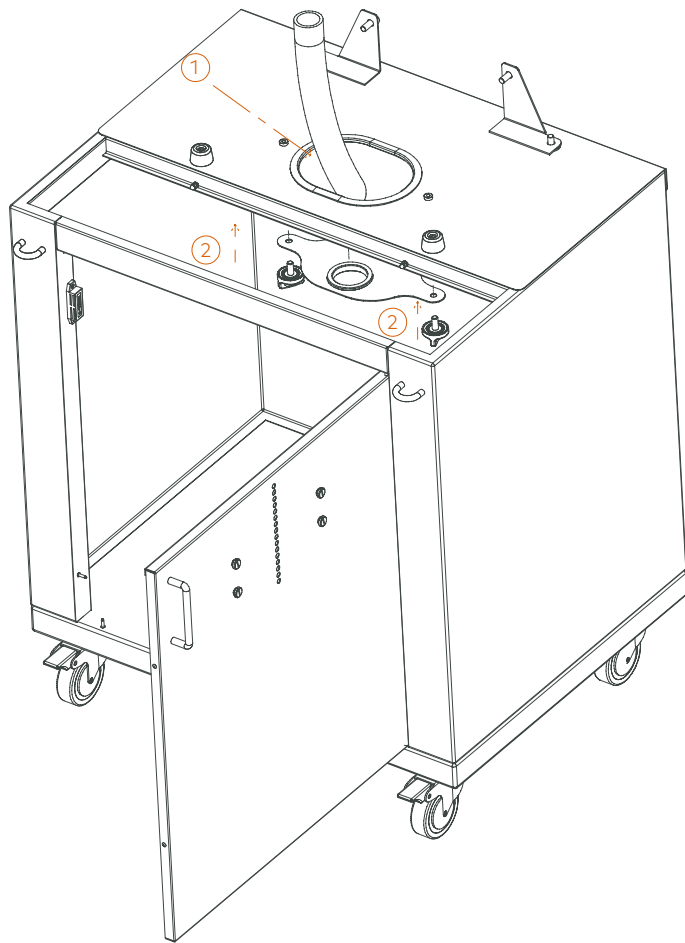


EN	ES	FR	DE	IT
80.1	FEEDER WITH DRAIN	ALIMENTADOR C/DESAGÜE	DISTRIBUTEUR AVEC VIDANGE	ALIMENTATORE C/SCARICO
80.2	SS MAN TUBE	TUBO CENTRAL INOX	TUBE CENTRAL INOX	TUBO CENTRALE INOX
80.3	METAL CLAMP	ABRAZADERA METALICA	COLLIER METALLIQUE	FLANGIA METALLICA
80.4	HOSE	TUBO FLEXIBLE	TUBE FLEXIBLE	TUBO FLESSIBILE
80.5	INNER STAND COVER	TAPA INTERIOR MUEBLE	PLAQUE INTERIEURE MEUBLE	INNERDECKEL UNTERSCHRANK
6	PLASTIC SECURING KNOB	VOLANTE PLÁSTICO	ECROU PAPILLON EN PLASTIQUE	SICHERHEITSSCHRAUBE KUNSTSTOFF
80.7	TUBE NUT	TUERCA TUBO	TUBE NUT	VITE DI SICUREZZA PLASTICA
80.8	BRUSH	CEPILLO	BROSSE	BÜRSTE



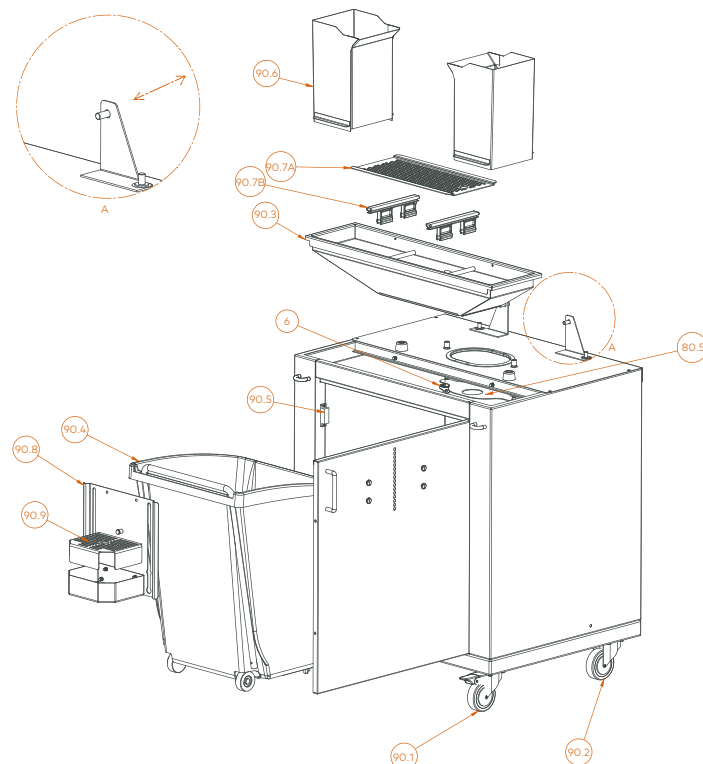
## Drain&Clean

Fig. 7.2



## Podium (Speed S +plus Tank All-in-One)

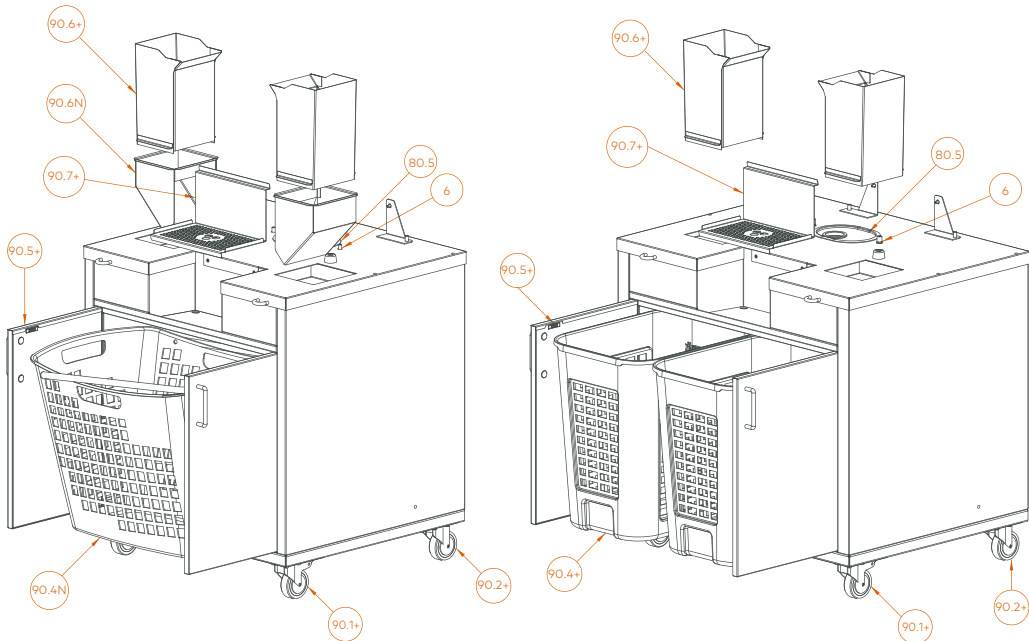
Fig. 8



EN	ES	FR	DE	IT	
6	PLASTIC SECURING KNOB	VOLANTE PLÁSTICO INYECCIÓN	ECROU PAILLON PLASTIQUE INJECTION	SICHERHEITSSCHRAUBE SPRITZGLUSSKUNSTSTOFF	VITE DI SICUREZZA PLASTICA INIEZIONE
80.5	SS/TANK STAND COVER	TAPA MUEBLE TANK-SS	PLAQUE MEUBLE SS/TANK	UNTERSCHRANKDECKEL SS/TANK	COPERCHIO MOBILE SS/TANK
90.1	SWIVEL WHEEL WITH BRAKE	RUEDA GIRATORIA CON FRENO	ROUE TOURNANTE AVEC FREIN	SCHWENKROLLE MIT BREMSE	RUOTA GIREVOLE CON FRENO
90.2	SWIVEL WHEEL WITHOUT BRAKE	RUEDA GIRATORIA SIN FRENO	ROUE TOURNANTE SANS FREIN	SCHWENKROLLE OHNE BREMSE	RUOTA GIREVOLE SENZA FRENO
90.3	STAND HOPPER	TOLVA MUEBLE	ENTONNOIR MEUBLE	TRICHTER UNTERSCHRANK	TRAMOGGIA MOBILE
90.4	WASTE BIN	CARRITO RESIDUOS	CHARRIOT À DÉCHETS	ABFALLWAGEN	CARRIELLO SCARTI
90.5	DOOR LOCK MAGNET	IMÁN CIERRE PUERTA	AIMANT FERMETURE PORTE	TÜRVERSCHLUSSMAGNET	CALAMITA CHIUSURA SPORTELLO
90.6	PEEL OUTLET	CAÍDA CORTEZAS	RÉCUPÉRATEUR DÉCHETS	SCHALENAUSTRITT	CADUTA BUCCIE
90.7 A	SS STAND FILTER	FILTRO MUEBLE SS	FILTRE MEUBLE SS	FILTER UNTERSCHRANK SS	FILTRO MOBILE SS
90.7 B	TANK GUIDES	GUÍAS DEPÓSITO TANK	GUIDES TANK	BEHÄLTERRÜHRUNGEN TANK	QUIDA SERBATOIO TANK
90.8	TRAY FRONT	FRONTIS BANDEJA	PLAQUE FACE BAC	FRONTBLENDE TABLETT	FRONTALINO VASCHETTA
90.9	TRAY FILTER	FILTRO BANDEJA	FILTRE BAC	FILTER TABLETT	FILTRO VASCHETTA

## Podium Mirror (Narrow / Wide)

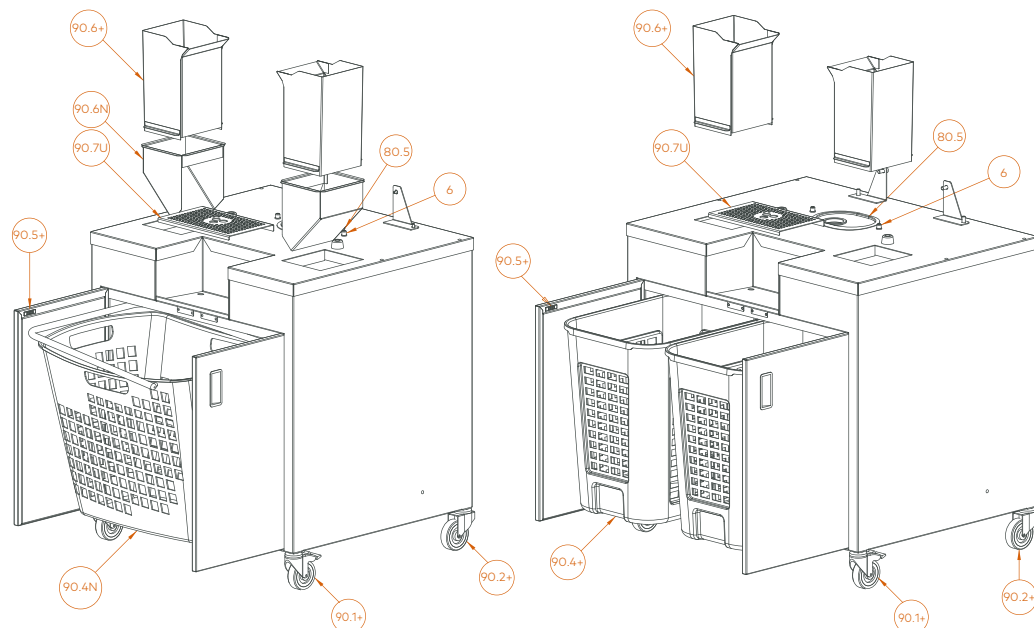
Fig. 8.1



EN	ES	FR	DE	IT	
6	PLASTIC SECURING KNOB	VOLANTE PLÁSTICO INYECCIÓN	ECROU PAPILLON PLASTIQUE INJECTION	SICHERHEITSSCHRAUBE SPRITZGLUSSKUNSTSTOFF	VITE DI SICUREZZA PLASTICA INIEZIONE
80.5	SS/TANK STAND COVER	TAPA MUEBLE TANK-SS	PLAQUE MEUBLE SS/TANK	UNTERSCHRANKDECKEL SS/TANK	COPERCHIO MOBILE SS/TANK
90.1+	SWIVEL WHEEL WITH BRAKE	RUEDA GIRATORIA CON FRENO	ROUE TOURNANTE AVEC FREIN	SCHWENKROLLE MIT BREMSE	RUOTA GIREVOLE CON FRENO
90.2+	SWIVEL WHEEL WITHOUT BRAKE	RUEDA GIRATORIA SIN FRENO	ROUE TOURNANTE SANS FREIN	SCHWENKROLLE OHNE BREMSE	RUOTA GIREVOLE SENZA FRENO
90.4+	WASTE BIN	CARRITO RESIDUOS	CHARRIOT À DÉCHETS	ABFALLWAGEN	CARRELLO SCARTI
90.4N	WASTE BIN	CARRITO RESIDUOS	CHARRIOT À DÉCHETS	ABFALLWAGEN	CARRELLO SCARTI
90.5+	DOOR LOCK MAGNET	IMÁN CIERRE PUERTA	AIMANT FERMETURE PORTE	TÜRVERSCHLUSSMAGNET	CALAMITA CHIUSURA SPORTELLO
90.6+	PEEL OUTLET	SCHALENAUSTRITT	RÉCUPÉRATEUR DÉCHETS	SCHALENAUSTRITT	CAÍDA BUCCO
90.6N	PEEL OUTLET	SCHALENAUSTRITT	RÉCUPÉRATEUR DÉCHETS	SCHALENAUSTRITT	CAÍDA BUCCO
90.7+	TWO-POSITION TRAY	BANDEJA 2 POSICIONES	PLATEAU 2 POSITIONS	TROFFSCHALE 2 POSITIONEN	VASSOIO 2 POSIZIONI

## Podium Black (Narrow / Wide)

Fig. 8.2



EN	ES	FR	DE	IT	
6	PLASTIC SECURING KNOB	VOLANTE PLÁSTICO INYECCIÓN	ECROU PAPILLON PLASTIQUE INJECTION	SICHERHEITSSCHRAUBE SPRITZGLUSSKUNSTSTOFF	VITE DI SICUREZZA PLASTICA INIEZIONE
80.5	SS/TANK STAND COVER	TAPA MUEBLE TANK-SS	PLAQUE MEUBLE SS/TANK	UNTERSCHRANKDECKEL SS/TANK	COPERCHIO MOBILE SS/TANK
90.1+	SWIVEL WHEEL WITH BRAKE	RUEDA GIRATORIA CON FRENO	ROUE TOURNANTE AVEC FREIN	SCHWENKROLLE MIT BREMSE	RUOTA GIREVOLE CON FRENO
90.2+	SWIVEL WHEEL WITHOUT BRAKE	RUEDA GIRATORIA SIN FRENO	ROUE TOURNANTE SANS FREIN	SCHWENKROLLE OHNE BREMSE	RUOTA GIREVOLE SENZA FRENO
90.4+	WASTE BIN	CARRITO RESIDUOS	CHARRIOT À DÉCHETS	ABFALLWAGEN	CARRELLO SCARTI
90.4N	WASTE BIN	CARRITO RESIDUOS	CHARRIOT À DÉCHETS	ABFALLWAGEN	CARRELLO SCARTI
90.5+	DOOR LOCK MAGNET	IMÁN CIERRE PUERTA	AIMANT FERMETURE PORTE	TÜRVERSCHLUSSMAGNET	CALAMITA CHIUSURA SPORTELLO
90.6+	PEEL OUTLET	SCHALENAUSTRITT	RÉCUPÉRATEUR DÉCHETS	SCHALENAUSTRITT	CAÍDA BUCCO
90.6N	PEEL OUTLET	SCHALENAUSTRITT	RÉCUPÉRATEUR DÉCHETS	SCHALENAUSTRITT	CAÍDA BUCCO
90.7U	TRAY FILTER	FILTRO BANDEJA	FILTRE BAC	FILTRO TABLETT	FILTRO VASCHETTA



# Podium (Speed Pro Cooler)

Fig. 9.1-9.2

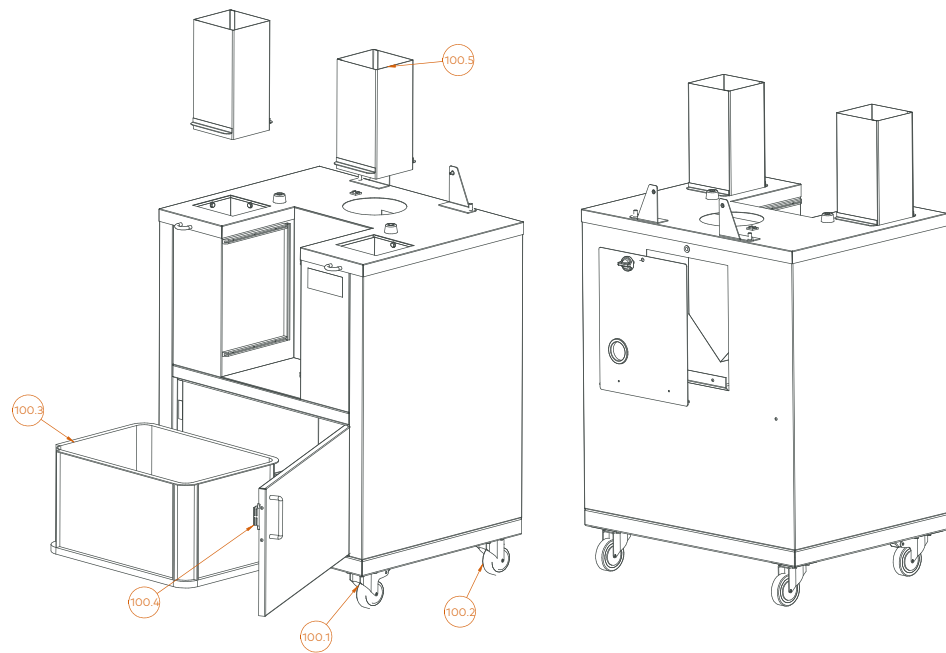
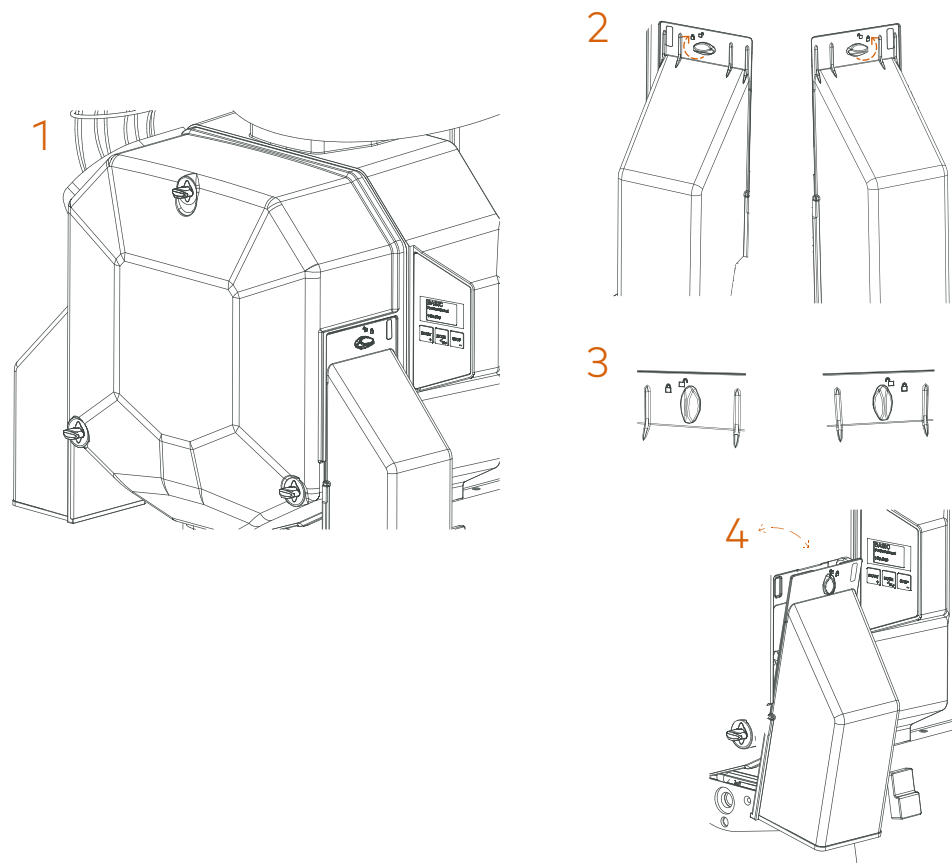


Fig. 10.1



EN	ES	FR	DE	IT
100.1	RUEDA GIRATORIA CON FRENO	ROUE TOURNANTE AVEC FREIN	SCHWENKROLLE MIT BREMSE	RUOTA GIREVOLE CON FRENO
100.2	RUEDA GIRATORIA SIN FRENO	ROUE TOURNANTE SANS FREIN	SCHWENKROLLE OHNE BREMSE	RUOTA GIREVOLE SENZA FRENO
100.3	CUBO CORTEZAS	BAC À DÉCHETS	SCHALENBEIMER	DEPOSITO BUCCE
100.4	IMÁN CERRRE PUERTA	AIMANT FERMETURE PORTE	TÜRVERSCHLUSSMAGNET	CALAMITA CHIUSURA SPORTELLO
100.5	CADIDA CORTEZAS	RÉCUPÉRATEUR DÉCHETS	SCHALENAUSTRITT	CADUTA BUCCE



Fig. 10.2

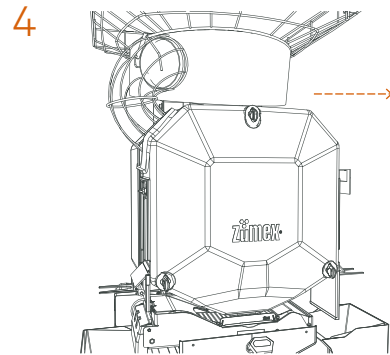
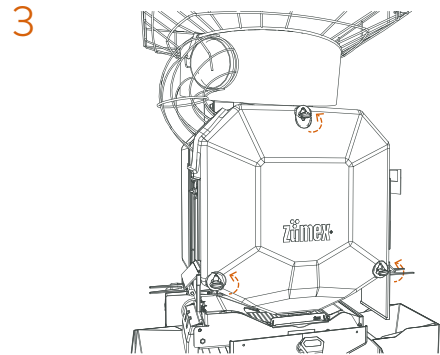
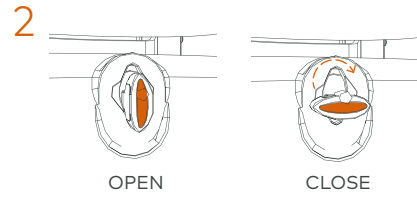
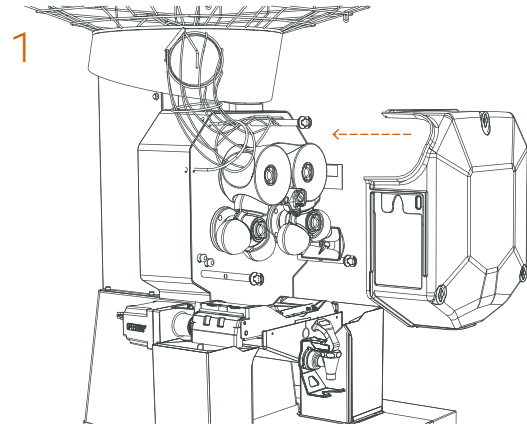


Fig. 11

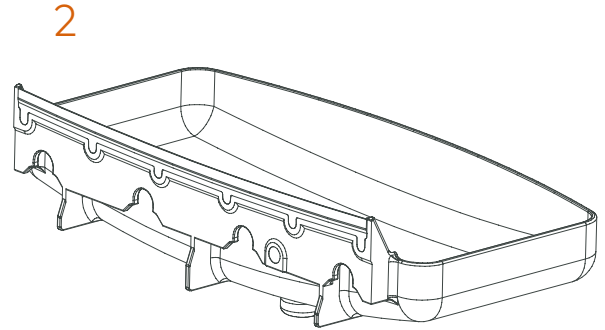
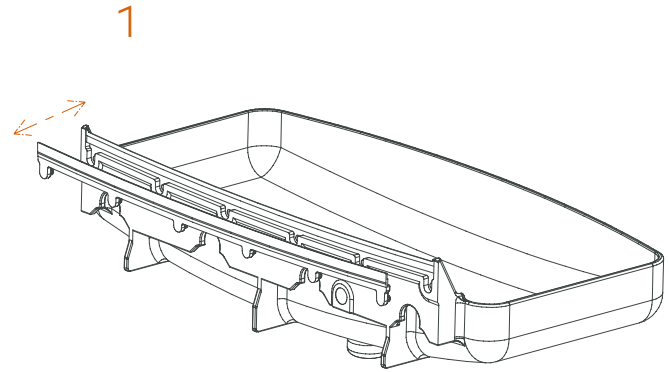






Fig. 12

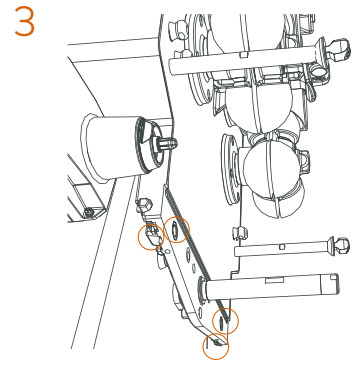
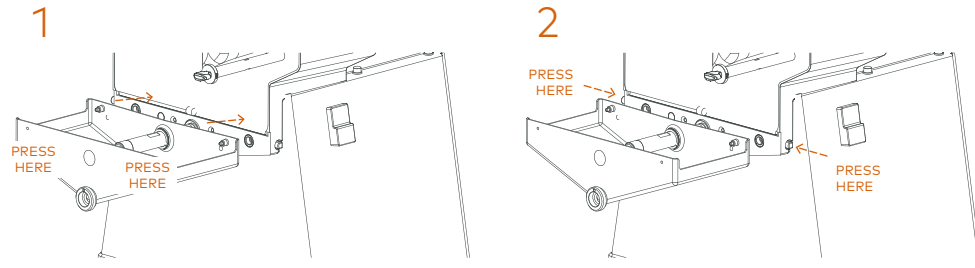


Fig. 13.1

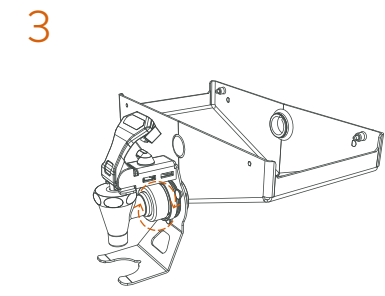
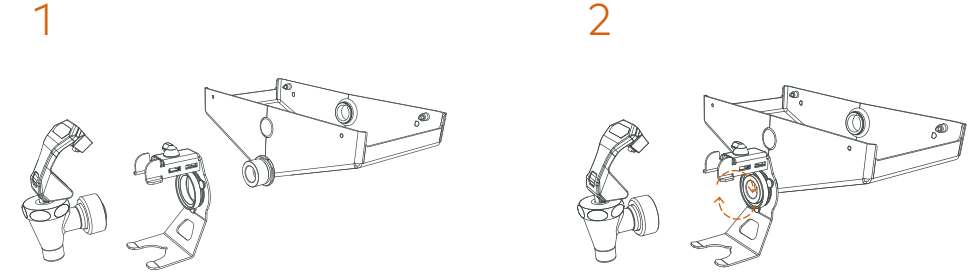




Fig. 13.2

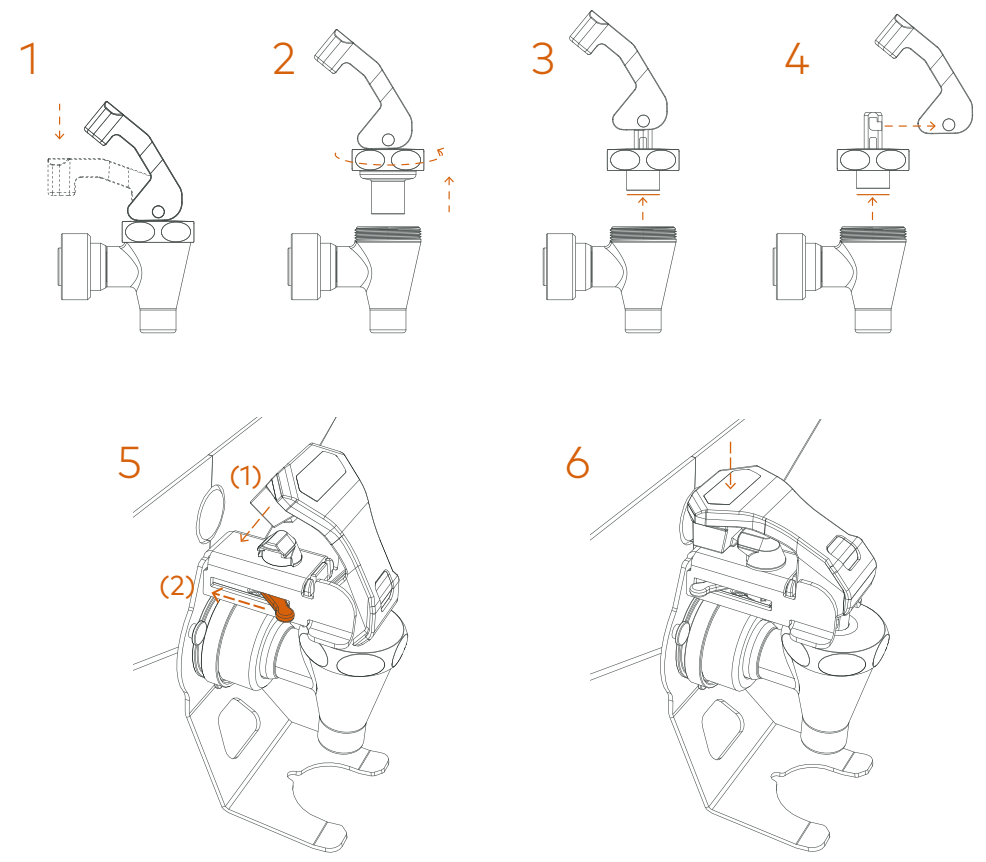


Fig. 14.1+

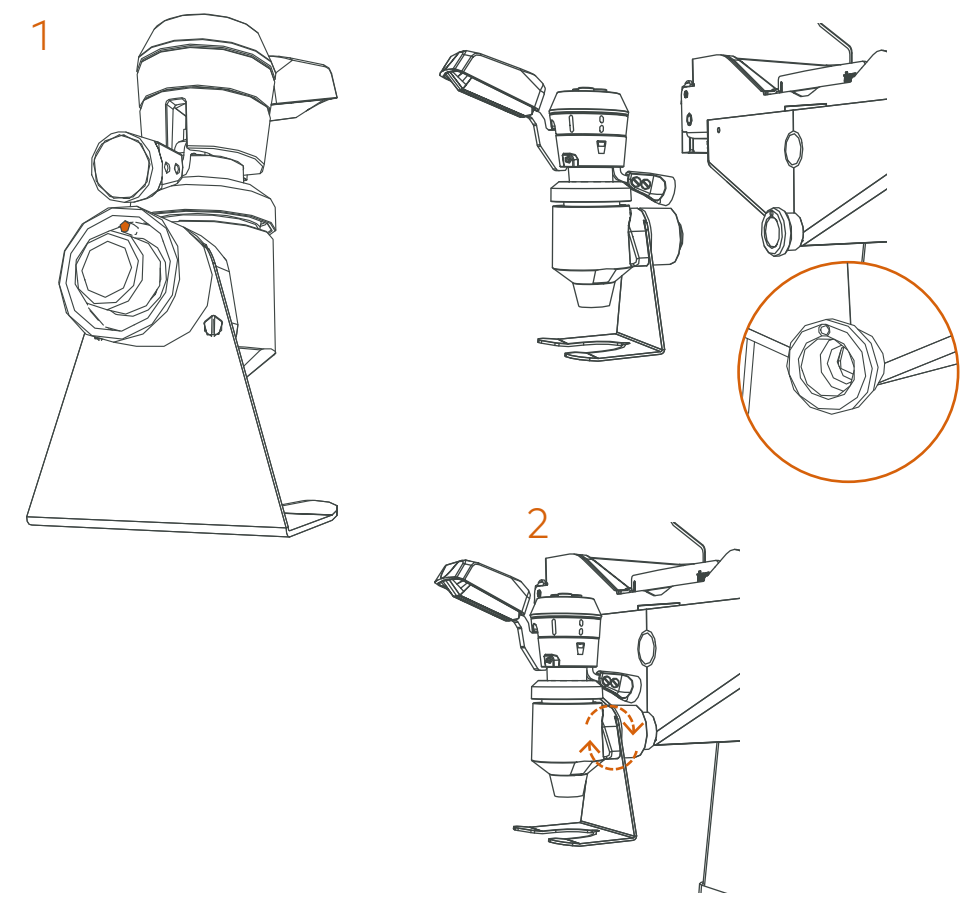




Fig. 14.2+

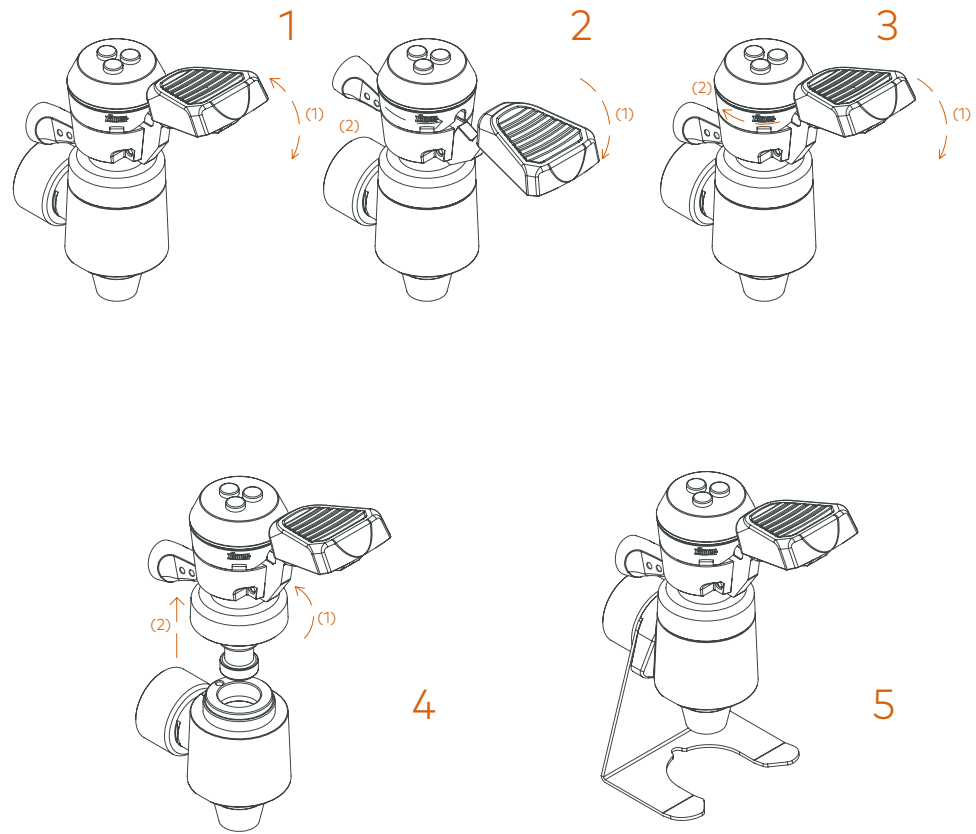


Fig. 15

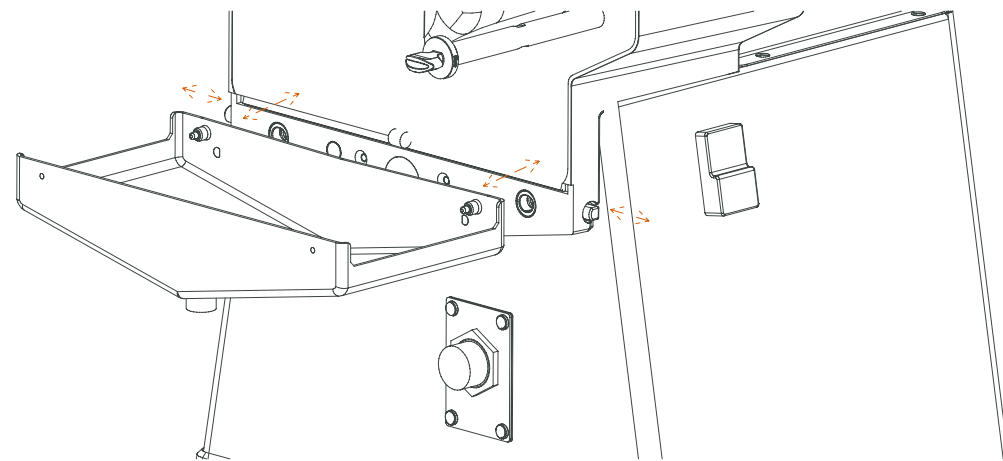




Fig. 16

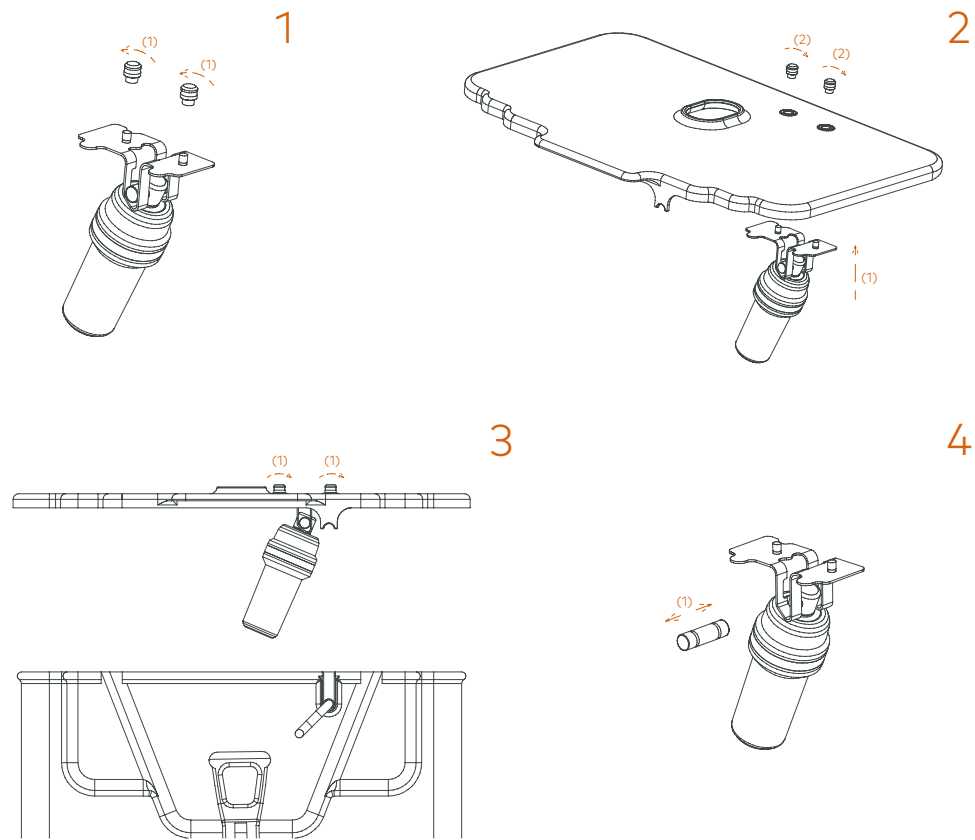


Fig. 17.1-17.2

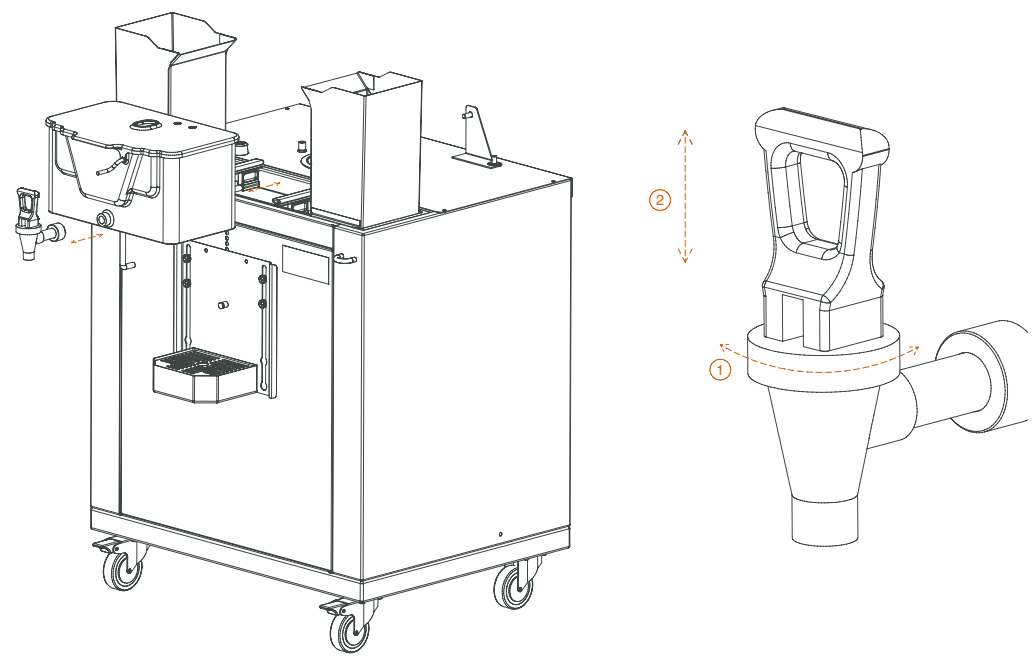
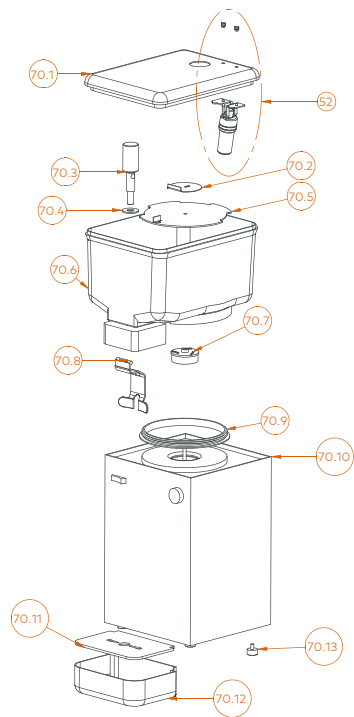


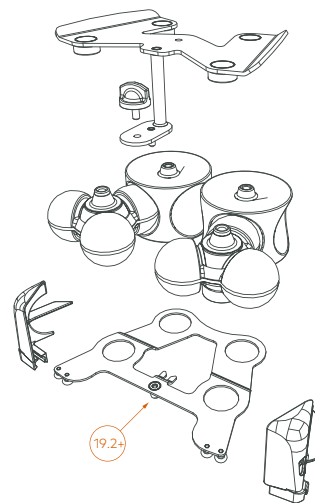
Fig. 18



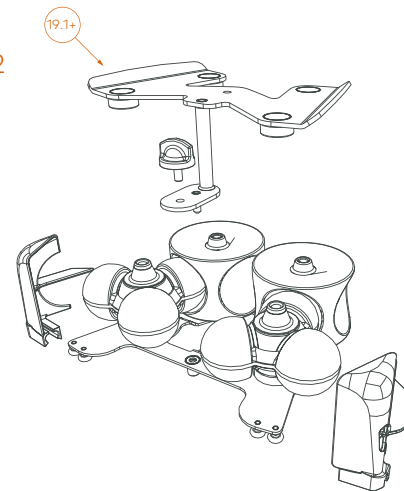
EN	ES	FR	DE	IT
52	TANK / COOLER BUOY	BOYA TANK/COOLER	SCHWIMMER TANK/COOLER	GALLEGGIANTE TANK/COOLER
70.1	TANK COVER	TAPA DEPÓSITO	COVERCLE RÉSERVOIR	TAPPO SERBATOIO
70.2	COUPLER PLATE	PLACA DE ENGANCHE	PLAQUE CONNECTEUR	PIASTRA DI ATTACCO
70.3	TAP PISTON	PISTÓN GRIFO	PISTON ROBINET	PISTONE RUBINETTO
70.4	TAP GASKET	JUNTA GRIFO	JOINT ROBINET	GUARNIZIONE RUBINETTO
70.5	PUMP COVER	TAPA BOMBA	COVERCLE POMPE	COPERCHIO POMPA
70.6	TANK	DEPÓSITO	RÉSERVOIR	SERBATOIO
70.7	PUMP TURBINE	TURBINA BOMBA	TURBINE POMPE	TURBINA POMPA
70.8	TAP CONTROL LEVER	PALANCA MANDO GRIFO	TIRETTE DE COMMANDE ROBINET	LEVA COMANDO RUBINETTO
70.9	TANK GASKET	UNIDAD ENFRIADORA	UNITE RÉSERVOIR	GUARNIZIONE SERBATOIO
70.10	COOLER UNIT	REJILLA CALÓN	GRILLE BAC	SISTEMA REFRIGERANTE
70.11	TRAY GRATING	CAJÓN RECOGE GOTAS H	BAC ANTI-GOUTTES H	GRIGLIA VASCHETTA
70.12	DRIP TRAY H	PIE NIVELADOR	VIS DE REGLAGE HAUTEUR	VASCHETTA RACCOGLIGOCCE H
70.13	LEVELLING FOOT			PIEDINO LIVELLATORE

Fig. 19+

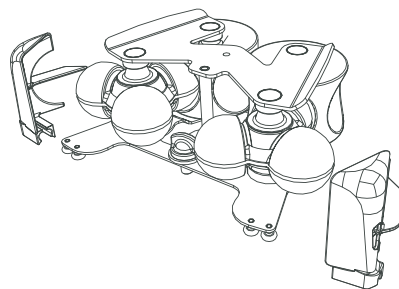
1



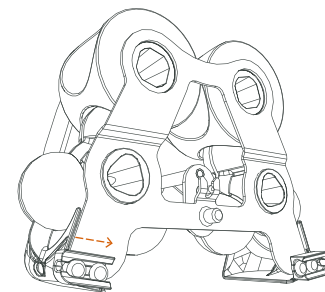
2



3



4



EN	ES	FR	DE	IT
19.1+	FRONT HOLDER	SOPORTE DELANTERO	SUPPORT AVANT	VORDEREN HALTER
19.2+	REAR HOLDER	SOPORTE TRASERO	SUPPORT ARRIERE	HINTEREN HALTER
				SUPPORTO ANTERIORE
				SUPPORTO POSTERIORE

Fig. 20.1+

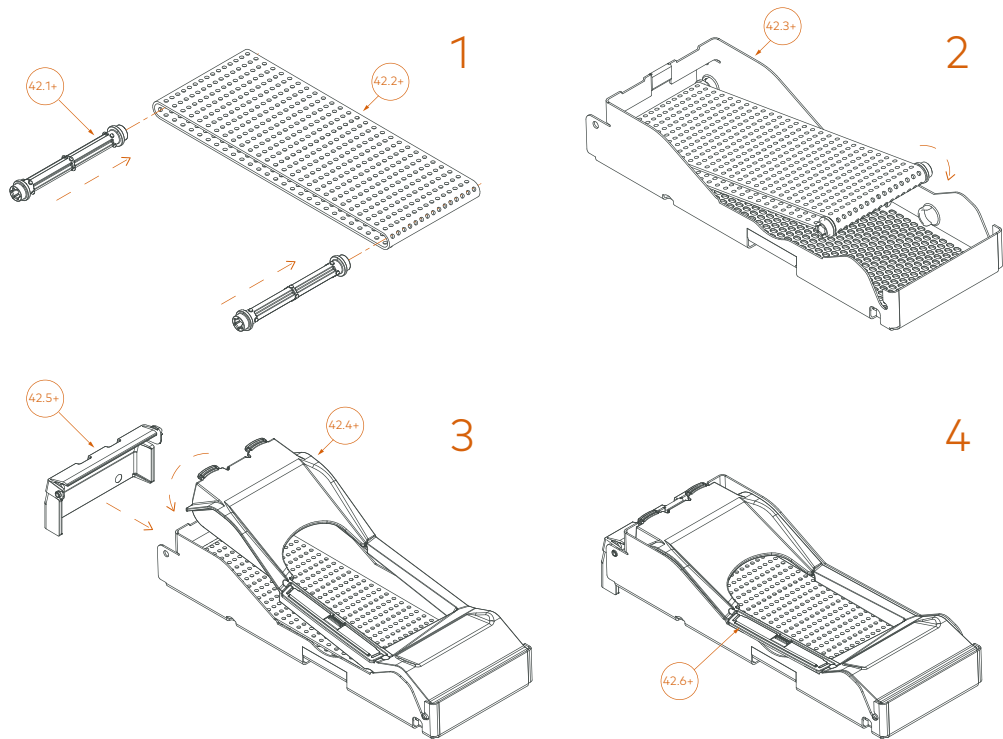
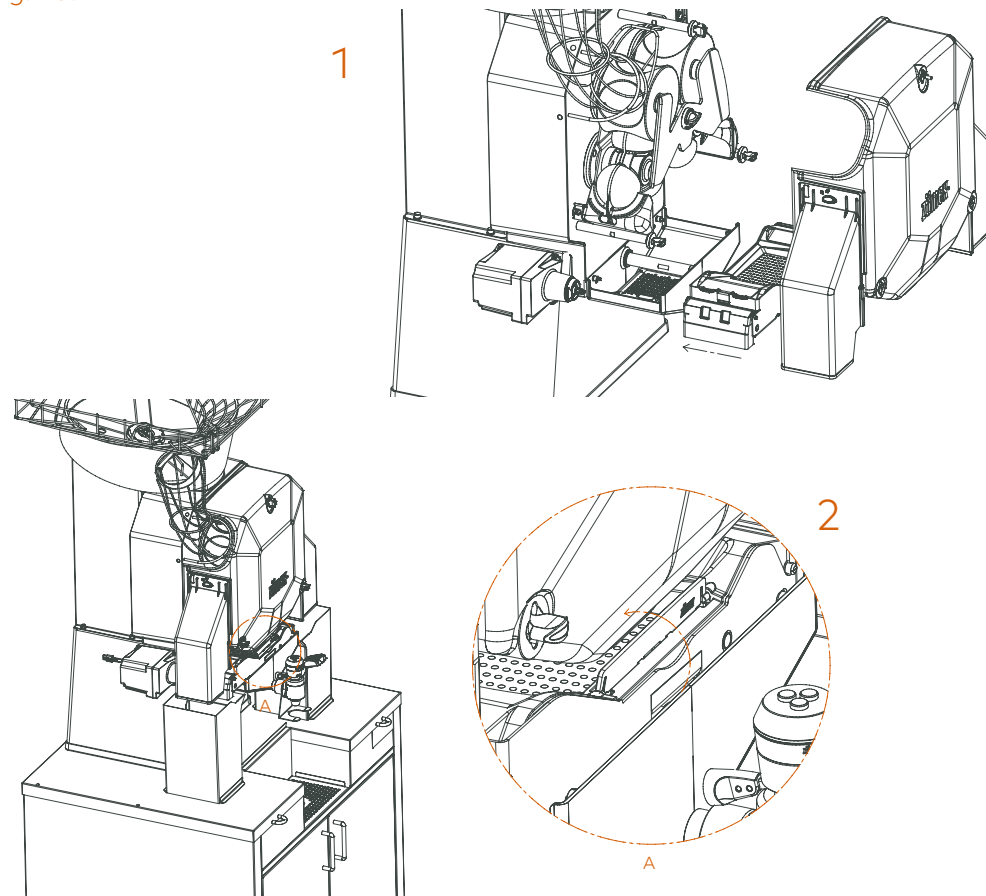


Fig. 20.2+

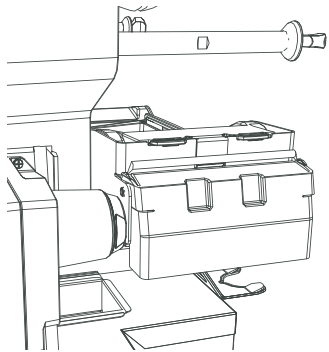


EN	ES	FR	DE	IT
42.1+	RODILLO	ROULEAUX	WALZEN	RULLI
42.2+	CINTA TRANSPORTADORA	TAPIS ROULANT	TRANSPORTBAND	TRASPORTATORE
42.3+	BASTIDOR	CHÂSSIS	GESTELLS	TELAIO
42.4+	TAPA DE LA CINTA	COUVERCLE DE LA BANDE	DECKEL DES BANDES	COPERCHIO DEL NASTRO
42.5+	TAPA LATERAL	COUVERCLE LATÉRAL	SEITENDECKEL	COPERCHIO LATERALE
42.6+	TAPA SALPICADURA	COUVERCLE ANTI-PROJECTIONS	SPRITZSCHUTZDECKEL	COPERCHIO PARA-SCHIZZI



Fig. 20.3+

1



2

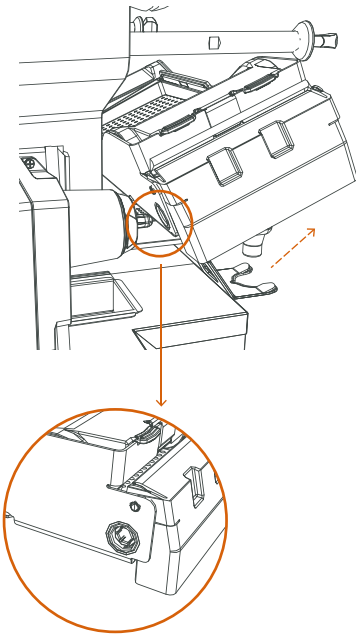
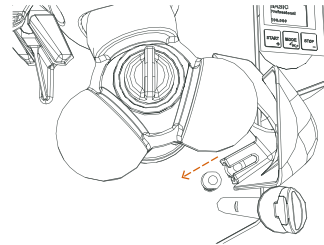
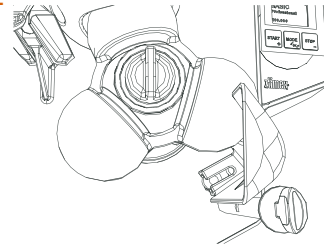


Fig. 21

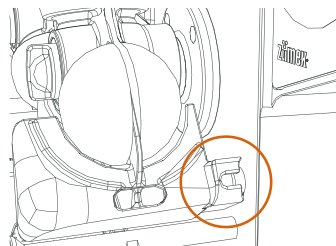
1



2



3





ZUMEX PRESENTS

## The fastest and most robust range of machines just got bigger

Speed Pro, Speed Up and Speed S +plus have been specially designed for times when a large quantity of juice is needed. The new models are better than ever before in terms of efficiency. They are perfect for restaurants, cafeterias and supermarkets.

Here we will discover how the machine works and how easy they are to clean.

**This manual is for the Speed Pro, Speed Up and Speed S +plus models.**



Register your product here

## Speed

User Manual. First steps.

In this manual, you will find everything you need to assemble and start up your new Speed Pro, Speed Up or Speed S +plus series juicer, as well as information about how it works, its features and accessories as well as some tips and precautions.

**Please read the instructions carefully to get the best performance out of your machine.**

## CONTENTS

- 3** ANNEX
- 38** IMPORTANT GENERAL INFORMATION
- 42** TECHNICAL FEATURES
- 43** INSTRUCTIONS FOR USE
  - 43** PREPARATION
  - 43** UNPACKING AND START-UP
  - 46** ASSEMBLY AND DETACHMENT OF COMPONENTS ACCORDING TO MODEL
  - 58** GENERAL OPERATION
  - 64** CONFIGURATION
  - 68** CLEANING
  - 70** ACCESSORIES
- 72** TROUBLESHOOTING AND TIPS
- 226** EU DECLARATION OF CONFORMITY

Zumex reserves the right to modify the information contained in this manual without prior notice.





## Important general information

This manual refers to the following  
Zumex models

Speed Pro models	Zumex <b>Speed Pro Basic</b>
	Zumex <b>Speed Pro Cooler Podium</b>
Speed Up models	Zumex <b>Speed Up</b>
	Zumex <b>Speed Up All-in-One Wide Black</b>
	Zumex <b>Speed Up All-in-One Narrow Black</b>
	Zumex <b>Speed Up All-in-One Wide Mirror</b>
	Zumex <b>Speed Up All-in-One Narrow Mirror</b>
Speed S +plus models	Zumex <b>Speed S +plus</b>
	Zumex <b>Speed S +plus All-in-One Wide Black</b>
	Zumex <b>Speed S +plus All-in-One Narrow Black</b>
	Zumex <b>Speed S +plus All-in-One Wide Mirror</b>
	Zumex <b>Speed S +plus All-in-One Narrow Mirror</b>
	Zumex <b>Speed S +plus Tank All-in-One</b>

Before you start, we recommend you to take the following precautions into account:

- The specific details about your Zumex juicer (voltage, frequency and other data of interest), can be found on the Identification Label attached to the actual machine.
- Remember that if you have any technical queries, you should get in touch with your Regular Dealer / Official Technical Support Service, always stating the Serial Number on the machine Identification Label.
- Zumex adopts the necessary measures to ensure that the machines placed on the market are selectively collected and managed in an environmentally respectful manner. Please contact your authorised Zumex dealer to correctly dispose of these machines.
- **Do not manipulate the machine in such a way that it works without safety elements.**
  - This appliance can be used by children over the age of 8 or older, or by people with impaired physical, sensorial or mental capacities or who lack experience or knowledge, if they are supervised or have received adequate training with respect to the safe operation of the appliance and they understand the risks entailed.
  - Children should be supervised to make sure they do not play with the appliance.
  - The cleaning and maintenance to be performed by the user must not be carried out by children without supervision.
  - This machine contains an equipotential terminal on the rear to connect the Earth Tap of other appliances to the Earth Tap of

your installation through this terminal. If you use it, slacken the nuts and washers, couple the Earth Tap cable of the auxiliary appliance and firmly tighten the nuts and washers again. This equipotentiality point is indicated with the following symbol:



- Do not spray the appliance with water to clean it.
- This machine is designed **for squeezing citrus fruit of the size indicated in this manual:** Orange, Limes, Mandarin and Grapefruit.
- Do not use other different fruit to that specified in the manual.
- When you clean, perform maintenance or replace parts, make sure that you have always unplugged the power cable from the socket and it is visible.
- Use the cutting elements with great care, to avoid possible cuts.
- The parts that are in contact with food must be cleaned according to the instructions that you can read in the cleaning chapter.
- If the power cable is damaged, it must be replaced with a cable or special unit to be supplied by the manufacturer or by the after-sales service.

- The unit is manufactured/prepared with a cable's protector in order to prevent accidentally pulling the cable out. Please make sure this protection is placed as indicated below in the instructions, to guarantee the safety of the appliance.

The instructions may be updated. You can consult the updated instructions on our website [www.zumex.com](http://www.zumex.com), in the section of the selected model.

**If you have any suggestions or comments that you believe may improve our machines or service network, please get in touch with Zumex directly at the address below:**

 **ZUMEX GROUP, S.A.**

Polígono Ind. Moncada III C/Molí 2. 46113 Moncada. Valencia. Spain.

Tel. +34 961 301 251 · Fax: +34 961 301 255

zumex@zumex.com / [www.zumex.com](http://www.zumex.com)

**ZUMEX SERVICE**

Tel. +34 960 800 999 · [service@zumex.com](mailto:service@zumex.com)



## Technical features

Model	Weight		Dimensions   Width x Height x Depth		
Speed Pro Basic	66.3 Kg	146.1 lb	593 x 584 x 980 mm	23.3" x 23" x 38.6"	
Speed Pro Cooler Podium	116.1 Kg	259.6 lb	675 x 727 x 1837 mm	26.6" x 28.7" x 72.3"	
Speed Up	76.7 Kg	169.2 lb	593 x 624 x 1050 mm	23.3" x 24.6" x 41.3"	
Speed Up All-in-One Wide Black	133 Kg	293.3 lb	810 x 682 x 1775 mm	31.9" x 26.8" x 69.9"	
Speed Up All-in-One Narrow Black	129.1 Kg	284.7 lb	710 x 682 x 1775 mm	28" x 26.8" x 69.9"	
Speed Up All-in-One Wide Mirror	122.1 Kg	269.3 lb	805 x 709 x 1774 mm	31.7" x 27.9" x 69.8"	
Speed Up All-in-One Narrow Mirror	113.3 Kg	249.8 lb	700 x 709 x 1774 mm	27.5" x 27.9" x 69.8"	
Speed S +plus	83.5 Kg	184.1 lb	593 x 665 x 1050 mm	23.3" x 26.2" x 41.3"	
Speed S +plus All-in-One Wide Black	131.5 Kg	290 lb	810 x 682 x 1775 mm	31.9" x 26.8" x 69.9"	
Speed S +plus All-in-One Narrow Black	127.6 Kg	281.4 lb	710 x 682 x 1775 mm	28" x 26.8" x 69.9"	
Speed S +plus All-in-One Wide Mirror	120.6 Kg	266 lb	805 x 709 x 1774 mm	31.7" x 27.9" x 69.8"	
Speed S +plus All-in-One Narrow Mirror	111.8 Kg	246.5 lb	700 x 709 x 1774 mm	27.5" x 27.9" x 69.8"	
Speed S +plus Tank All-in-One	110.1 Kg	242.8 lb	675 x 699 x 1755 mm	26.6" x 26.3" x 69.1"	

### OTHER CHARACTERISTICS (For all models)

Voltage	100 V   50-60 Hz	120 V   60 Hz	220-240 V   50-60Hz
Power	350 W (560 W Cooler)	320 W (560 W Cooler)	460 W (560 W Cooler)
Consumption	3.5 A (4.87 A Cooler)	2.7 A (4.87 A Cooler)	2 A (2.4 A Cooler)
Oranges per minute	36/43	40	37/40
Fruits*	Oranges, tangerines, limes, grapefruits		
Size of fruit	65-81 mm (45-67 mm with Kit S)		
Feeder capacity	20 kg / 44 lb		
Protection	IPX4		
Sound pressure level	Lower 70 dB(A)		

\* For other fruits squeezed always check with your nearest dealer.

## Instructions for use

### Preparation

To start to extract juice, you must follow the steps below:

1. Unpack your juicer and place it on as flat a surface as possible.
  2. Make sure that the mains voltage coincides with the voltage indicated on the machine identification label that you will find on the machine.
  3. Ensure that no obstacles hinder you during the unpacking process.
- ! Before first use, we recommend that you clean the juicing system. Please see the section entitled 'Cleaning'.

### Unpacking and start-up

Follow the instructions given, depending on the machine model you have purchased. The following components could be loose and if so must be installed properly:

#### Speed Pro Basic

Right cover side outlet (2), Left cover side outlet (3), Power cable (15), Protector cable (16), Plastic juice container (30), Inner plastic filter (31), Plastic juice filter (32), Peel bucket (33), Drip try (34).

See Figures 1 and 2.

#### Speed Pro Cooler Podium

Right cover side outlet (2), Left cover side outlet (3), Power cable (15), Protector cable (16), Plastic juice container (30), Inner plastic filter (31), Plastic juice filter (32), Cooler Unit (70), Tank/Cooler Buoy (52).

See Figures 1 and 6. See section Podium Cooler (100) for information about your machine stand.



### Speed Up

Right cover side outlet (2), Left cover side outlet (3), Power cable (15), Protector cable (16), SS Juice container (40), SS Sub-filter (41), Automatic PulpOut System (42+), SS Tap Up (44U).

See Figures 1 and 3U.

### Speed Up All-in-One

Right cover side outlet (2), Left cover side outlet (3), Power cable (15), Protector cable (16), SS Juice container (40), SS Sub-filter (41), Automatic PulpOut System (42+), SS Tap Up (44U).

See Figures 1 and 4U. See section Podium Wide and Podium Narrow (90) for information about your machine stand.

### Speed S<sup>+plus</sup>

Right cover side outlet (2), Left cover side outlet S +plus (3+), Power cable (15), Protector cable (16), Peel bucket (33), Drip tray (34), SS juice container (40), SS Sub-filter (41), Automatic PulpOut System (42+), SS Tap S +plus (44+), Machine supplement (47).

See Figures 1+ and 3+.

### Speed S<sup>+plus</sup> All-in-One

Right cover side outlet (2), Left cover side outlet S +plus (3+), Power cable (15), Protector cable (16), SS Juice container (40), SS Sub-filter (41), Automatic PulpOut System (42+), SS Tap S +plus (44+).

See Figures 1+ and 4+. See section Podium S +plus (90+) for information about your machine stand.

### Speed S<sup>+plus</sup> Tank All-in-One

Right cover side outlet (2), Left cover side outlet S +plus (3+), Power cable (15), Protector cable (16), Automatic PulpOut System (42+), Tank juice container (50), Tank sub-filter (51), Tank/Cooler buoy (52), Tank (53), Shaker (54), Tank Tap (55).

See Figures 1+ and 5+. See section Podium Speed S +plus Tank All-in-One (90) for information about your machine stand.

### Drain&Clean System (80)

If you have a Podium model, your machine is equipped with the Drain&Clean system. This system facilitates cleaning and waste disposal by working as a drainage system from the feeder to the waste bin. Thus the machine it self will clean and remove waste automatically.

See Figures 7.1 and 7.2.

### Podium Tank S<sup>+plus</sup> All-in-One (90), Podium Black All-in-One (90+), Podium Mirror All-in-One (90+), Podium Cooler (100)

All the stand components can be found inside the stand.



## Assembly and detachment of components according to model

### Right cover side outlet (2), Left cover side outlet (3), Left cover side outlet S<sup>+plus</sup> (3+)

The side outlets are not the same. Ensure that the correct side outlet is installed on the corresponding side.

#### Assembly of the outlets (Fig. 10).

Line up the bottom of the side outlet and lift up the upper part, ensuring that it closes with a 90° turn of the knob.

Mount the right outlet by turning the latch clockwise.

Mount the left outlet by turning the latch counter-clockwise.

**!** **Important!** There are icons on the part indicating the direction of the turn, do not force the tab in the opposite direction.

Ensure that the side outlets are fully installed and correctly positioned in their place.

#### Disassembly of the outlets (Fig. 10)

Remove the right outlet by turning the latch counter-clockwise to its vertical position.

Remove the left outlet by turning the latch clockwise to its vertical position.

### Cover (1)

#### Assembly of the cover (Fig. 10.1)

Check that the knobs on the shafts of the machine are turned perpendicular to the floor (open)

Hold the cover by the outlet holes, match the holes with the knobs and press until they are completely inserted. Turn the knobs 90° degrees clockwise to secure the cover.

**!** **Important!** Avoid forcing the cover onto the machine if the shafts are not completely aligned, as this may damage the part.

#### Disassembly of the cover (Fig. 10.1)

Turn the knobs 90° degrees until they align with the holes in the cover.

Remove the cover with a horizontal movement, holding it with both hands by the outlet holes.

**!** **Important!** Avoid forcefully removing the cover if the shafts are not completely aligned, as this may damage the part.

### Lower pressing unit (4), Upper pressing unit (5)

Place the pressing units in the shafts (Fig. 1).

If you have a Speed S +plus then refer to the section *1Step kit (19+)*. Always mount the lower and upper pressing units of the same side at the same time to make it easier to position them.

### Injection Plastic Securing Knob (6)

Screw in the knobs to secure the pressing units and the feeder plate (Fig. 1).

If you have a Speed S +plus then refer to the section *1Step kit (19+)*.

### Left peel ejector (7), Right peel ejector (8)

#### Assembly of the ejector (Fig. 21).

Place the ejectors on the corresponding side and insert them onto the knobs. Push the ejector until the blade is fully inserted into the lower pressing unit and the channel makes contact with the second knob.

**!** **Important!** If the ejector is not correctly installed as indicated above, the part may be damaged when the machine is in operation.

If you have purchased the Speed S +plus model, read the *1Step Kit (19+)* section.

#### Disassembly of the ejector (Fig. 21)

Pull the ejector out until it is completely free from the machine.

**!** **Important!** Remove the ejectors before removing other parts of the juicing unit.

### Blade holder (9)

Place the blade carefully on its guide and push inwards (Fig. 1).

### Blade holder S<sup>+plus</sup> (9+)

Place the blade carefully on its guide and push inwards (Fig. 1+).

**Note:** Always insert before inserting the 1Step kit.



### Feeder basket (13)

The feeder basket can be removed and re-attached facing guides and making a slight movement until it stops (**Fig. 1**).

### Feeder basket door (14)

The feeder basket has an easy-to-open door to make it easier to fill the basket up with oranges (**Fig. 1**).

### Power cable (15)

Check cord is plugged in the machine and protected with cord retainer (**Fig. 1**).

### Protector cable with 3 screws (16)

Check protector holds cable with three screws (**Fig. 1**).

### Self Service/Tank Tray gasket 6.3 x 3.5 (17)

If required, this gasket can easily be removed for cleaning and fitted back in by hand (**Fig. 1**).

### Tray bolt (18)

This component only has to be handled if a spare SS Juice container (40) or Tank juice container (50) is requested (**Fig. 1**). After inserting the spare container, adjust the bolt from the rear to adjust the container position.

### 1Step kit (19+)

This device allows for easy insertion and removal of the pressing units and peel ejectors in just one step (**Fig. 1+**).

Before installation remember to insert the Blade holder S +plus (9+).

To install, line up the pressing units with the shafts and adjust their position while sliding them in. Use the central knob to attach the device to the machine.

**Note:** To remove simply reverse the process.

### Assembly of the 1Step Kit (19+)

- Place the rear holder (19.2+) on a surface. The metal ejector holders should be face down.
- Match up the lower and upper pressing units (4 and 5). Line up the circular bases of the pressing units with the holes on the holder. Note that the faces of the pressing units are different.

Ensure to mount them as shown in the figure.

- Line up the protruding cones of the pressing units with the four circular bushes on the front holder (19.1+).
- Join both holders with the plastic securing knob (6).
- Turn the 1step kit 180° and line up the ejectors (7 and 8) with the ejector holders, inserting the extractor blade into the seal of the lower pressing unit. Ensure that both holders are inside the ejector channel as shown in image 4.

### Disassembly of the 1Step Kit (19+)

- From the position shown in image 4, pull the ejectors (7 and 8) sideways to remove them from the metal holders.
- Turn the kit 180° and unscrew the plastic securing knob (6), which is located behind the pressing units and holds both metal holders (19.1+ and 19.2+).
- Carefully pull the front holder (19.1+).
- Separate the lower pressing unit (4) and the upper pressing unit (5).

**Note:** To clean the unit, refer to the *Cleaning* section.

### Plastic Juice Container (30)

Make sure that the sealing gasket is correctly mounted on the container (**Fig. 11**). Then place the container in the machine. Line up and place under the container on the four lugs that you will see on the machine (**Fig. 2**).

### Plastic inner filter (31)

Place on the inside of the juice container (**Fig. 2**).



### Plastic juicer filter (32)

Place on the inside of the juice container (Fig. 2).

### Peel bucket (33)

Place the peel buckets under the cover side outlets (Fig. 2 or 3U depending on model).

### Drip tray (34)

Place under the juice outlet (Fig. 2 or 3U depending on model).

### Self Service Juice container (40)

#### Assembly (Fig. 12).

Line up the tap detector tube (45) with the hole in the back of the container. Slide it until the container fixing pins are fully inserted in the latch holes. Press firmly with your right hand on the front of the container until you hear the click of the latch and then with your left hand until you hear the click of the left latch. Ensure that it is correctly attached by gently pulling on it.

**!** **Important!** The incorrect assembly of the container can lead to breaks in the seal and small juice leaks. Always make sure that it is correctly fixed to the body of the machine and that the container is in good condition.

**Note:** To ensure the correct fit of the container, it is recommended to keep the fixing latches clean of juice and/or dirt. Spray a detergent (Zumex Citric Active) in the container fixing holes and the inner part as shown in picture 3. (Fig. 12). Allow the detergent to work for 1 minute. Repeatedly activate the latches and wipe away any remaining product with a clean cloth.

#### Disassembly (Fig. 12).

To disassemble the container, press the left and right latches at the same time. Slide the container out.

### Self Service Sub-filter (41)

Place on the inside of the juice extraction container (Fig. 3U).

### Automatic PulpOut System (42+)

With this device pulp and seeds will be removed automatically during the juicing process.

#### Assembly (Fig. 20.1+ and 20.2+)

- Place the rollers (42.1+) into the conveyor belt (42.2+).
- First place the left hand roller into the metal socket on the frame. Then stretch the belt and place the other roller into the right hand sockets. (Fig. 20.1+).
- Insert the ribbon cover (42.4+) by first of all guiding the right hand side pivots into the slots on the frame (42.3+)(Fig. 20.1+). Then rotate the cover until it rests completely on the frame in a horizontal position and press down until it clips into place.
- Press down lightly on the sides of the Side Cover (42.5+) and fit it into the holes on the left hand side of the Frame (Fig. 20.1+). Ensure that the pivots have been inserted completely, and that the cover can rotate freely. Leave it in the vertical position.
- Fit the PulpOut System (42+) into the machine (Fig. 20.2+ and 20.3+). To do this, fit the left roller onto the drive shaft on the left side of the machine. Make sure that the assembly rests and is inserted into the pivots of the container.
- Turn the Anti-Splash Cap (42.6+) is in a vertical position. It is possible to remove the PulpOut System without removing the cover.

**Note:** The anti-splash cap must be in a horizontal position to assemble the cover.

#### Disassembly (Fig. 20.3+)

To remove the PulpOut from the machine, pull it up and out. To disassemble the unit, reverse the steps indicated for its assembly.

See the *Cleaning* section for the correct maintenance of the Automatic PulpOut System.

See how it is fitted in various models:

Speed S +plus (Fig. 3+).

Speed S +plus All-in-One (Fig. 4+).

Speed S +plus Tank All-in-One (Fig. 5+).



## Self Service Tap Up (44U), Self Service Tap S<sup>+plus</sup> (44+)

### Assembly of the Up Tap (13.1)

Hold the centring device/bottle holder with one hand while turning the nut on the holder with the other hand to secure it to the spout on the container.

Align the tap with the centring device/bottle holder and insert the button between the arms of the holder. Hold the tap with one hand while turning the tap fixing nut with the other hand.

### Disassembly of the Up Tap (13.1)

Hold the tap with one hand while loosening the tap fixing nut with the other hand. After loosening the tap fixing nut, gently pull the tap out.

Hold the bottle holder with one hand while unscrewing the centring device/bottle holder nut with the other hand. Pull gently to separate it from the thread of the container.

**!** **Important!** Use both hands to dismantle the tap and holder to avoid any parts being dropped or injury.

### Assembly of the S+ Tap (14.1+)

To install the S+plus tap in the container, hold the tap with both hands, line up the pin with the hole in the container thread and gently push the tap in. Hold the tap firmly by the bottle holder with one hand and tighten the tap floating fixing nut with the other hand.

**Note:** Remember to tighten the floating nut until the threads on the container are no longer visible.

If it is not positioned correctly, the tap sensor will not be activated.

### Disassembly of the S+ Tap (14.1+)

Hold the tap with one hand while loosening the tap fixing nut with the other hand.

After loosening the tap fixing nut, gently pull the tap out.

**!** **Important!** Handle the tap with both hands, do not force the pin or the tap thread. Do not put any weight on the tap.

### Tap operation (Fig. 13.2 and 14.2+)

The tap is operated by pressing and releasing for juice extraction.

On the SS S<sup>+plus</sup> tap (44+), the button is located on the outside. The button can be locked in the "free spout" position. To do this, turn the ring with the dotted/continuous lines until the continuous line is over the glass icon. Release the button. It is now locked in position. To release, simply press the button again.

The Speed S<sup>+plus</sup> All-in-One machine has a bottle holder that can be removed, if necessary, by removing the two rear screws.

On the SS Up tap (44U), the button is located on the inside. The button can be locked in the "free spout" position. To do this, press the button completely and move the metal tab on the side of the bottle holder/centring device. Release the button. It is now locked in position. To release, simply press the button again.

For the daily cleaning of both taps you must remove the upper part as shown in the images (Fig. 13.2 y 14.2+). The Up tap is dismantled by turning the plastic ring on the tap body and then removing the button. The S<sup>+plus</sup> tap is dismantled by turning the ring on the metal body.

### Detector tube gasket (46)

If required, this gasket can be removed for cleaning (Fig. 3U or 4).

### Machine supplement (47)

Use this supplement to raise the machine (Fig. 3U or 3+).

**!** **Important!** Never place the machine onto the supplement alone, it should always be done by at least two people.

### Tank Juice Container (50)

Line up the two side lugs at the ends of the container and press. Pressing the side buttons may help mount it (Fig. 15).

To remove the container, just press the side buttons and pull out towards you.

### Tank Sub-filter (51)

Place on the inside of the juice extraction container (Fig. 5+).





## Tank/Cooler Buoy (52)

### Tank Model

- If the support with buoy is loose, loosen the knobs on the support (**Fig. 16 (1)**).
- Line up the lugs on the support with the inside of the lid (**Fig. 16 (2)**).
- Tighten the knobs (**Fig. 16 (2 and 3U)**).
- If a deep clean is necessary, remove the reverse the order of the previous steps and remove the shaft (**Fig. 16 (4)**).

### Cooler or Tank model

Slacken the upper lugs. Line up the plate with the openings from below. Tighten the upper lugs again (**Fig. 18**).

### Tank (53)

Use the thread to secure the Self Service tap to the Tank container (**Fig. 5+**).

## Tank Tap (55)

Use the thread to secure the Self Service Tap to the Tank container. Make sure that it is in upright position (**Fig. 17.1**).

The Tank Tap can work continuously or discontinuously. Just turn the handle 180° and it will be locked when the handle is lowered, thus permitting free spout.

For cleaning, you can remove the upper part of the Self Service Tap (**Fig. 17.2**).

## Level detector (56)

This component only needs to be manipulated if a spare part is requested. Remember to place the detector in the same position as the original detector. If you have a Tank machine, the detector is located in the upper part; if you have a Cooler machine, it is located in the lower part (**Fig. 5+ y 6**).

## Cooler unit (70)

Place the cooler unit in its housing in the stand (**Fig. 6**).

Mount the components as indicated in **Fig. 18** in this order.

- Mount the piston-gasket and the lever in the tank following the steps indicated in the enclosed drawing.
- Fit the tank.
- Adjust the pump lid inside the tank with the arrow pointing towards you.
- Secure the metal coupler plate, securing the tank with it.

## Podium Tank S <sup>+plus</sup> All-in-One (90), Podium Black All-in-One (90+), Podium Mirror All-in-One (90+), Podium Cooler (100)

Machine placement on display stand:

**!** **Important!** This operation must be carried out by 2 or 3 people. It must never be attempted by just one person.

Lock the front wheels of the stand with the brake pedal to prevent it from moving during the installation.

After unpacking the stand, remove the screws from the fixing brackets and put them on one side for later. See detail "A" of **Fig. 8**.

The peel chutes and the drip tray of the stand with filter are located on the inside of the stand.

Place the machine on the stand, making the inside corners of the machine base coincide with the two rubber blocks of the stand. Thus, the fixing bracket holes will coincide with the machine holes. You can now secure the machine with the screws mentioned above (**See Fig. 5+ y 6**).

### Remember:

The machine and display stand are joined together with the screws supplied, as indicated in this instructions manual.

Never try to tilt the machine or the stand. To move, unlock the wheels.



### Individual features for Podium Tank S <sup>+plus</sup> All-in-One (90)

For the Tank stand, secure the drip tray with its filter in the display stand.

Component 90.7 varies depending on the stand model purchased:

Self Service stand: Component SS stand filter (90.7A).

Tank stand: Component TANK tank guides (90.7B).

The position of components Tray front (90.8) and Tray filter (90.9), can be adjusted to be able to adapt them to different bottle and glass formats.

### Individual features for Podium Black and Mirror All-in-One (90+)

The (90+) Podium SS S <sup>+plus</sup> has two independent waste bins.

**Remember** to insert both of them every time.

### Individual features for Podium Cooler (100)

See Fig. 6 and 9.1 on how to fit the components correctly.

Pass the power cable of the Cooler unit through the hole on the rear door. To do this, you can unscrew the door if necessary (**Fig. 9.2**).

### Drain&Clean System Installation

**!** **Important!** Unplug the machine from the wall socket.

#### Podium Tank All-in-One (90)

If fitted, remove the Peel chute (90.6), the SS stand filter (90.7A) and the Stand hopper (90.3) (**Fig. 8**). Open the front door. If it is connected then remove the Injection securing knob (6), and the Podium Tank Lid (80.5).

Find the upper hole (**Fig. 7.2**) and insert your hand, taking hold of the Flexible tube (80.4) and placing it in the hole (**Fig. 7.1**). Do not pull or hold any other part of the machine.

Later, place the lower cover of the tube with the two securing knobs supplied and fit all the previously removed parts back on (**Fig. 7.2**).

See parts breakdown on how to fit the components (**Fig. 8**).

### Podium Podium Black and Mirror All-in-One (90+)

Open the front doors and remove the waste bins (**Fig. 8.1 and 8.2**). If it is connected then remove the Injection securing knob (6), and the Podium Tank Lid (80.5).

Find the upper hole (**Fig. 7.2**) and insert your hand, taking hold of the Flexible tube (80.4) and placing it in the hole (**Fig. 7.1**). Do not pull or hold any other part of the machine.

Later, place the lower cover of the tube with the two securing knobs supplied and fit all the previously removed parts back on (**Fig. 7.2**).

See parts breakdown on how to fit the components (**Fig. 8.1 and 8.2**).



## General operation

Once you have installed the machine correctly and before plugging it into the mains, confirm electrical data coincide with the electricity supply. If everything is correct, plug the machine into the mains.

To switch the machine on, press the green **ON** button. The LED of the **ON/OFF** button and the digital display of the machine will light up.

**Before operating the machine with oranges, you must calibrate it without load. Enter the Calibration section of the CLIENT MENU, or leave the machine operating without load for approximately 1 minute until it comes to a stop.**

To make sure the count is correct, you may have to adjust the Offset parameter after calibrating the machine.

**Option 1:** It does not count all of the oranges. Reduce the Offset value.

**Option 2:** It counts too many oranges. Increase the Offset value.

To do so, enter **MENU>5.Calibration>2.Offset** and adjust the value. Exit the Menu and check the count without load, with 2 or 3 oranges. Repeat the process again until you find the value that allows for a correct machine count.

To avoid possible counting errors, try not to stop the machine with an orange trapped between the upper and lower pressing units.

The orange counter is shown in all the models. (Deviation +-1%)

Remember to put a jug or glass under the juice outlet of your machine.

The machine will not work if any safety element is missing.

**If necessary, you can always switch the machine off as follows:**

- A** Release the actuator used. For example, the tap.
- B** Press the **STOP** button.
- C** Press the red **OFF** button.
- D** ONLY IN EMERGENCIES: Unplug the machine directly from the wall socket.
- E** If the machine does not detect oranges, it will stop approximately 60" after the last orange has passed through.

## Loading the feeder

To load the machine feeder with oranges, you can open the Feeder basket (14) door and partially empty the box of oranges into it. Close the door and finish filling the basket.

## Juice extraction unit

Make sure that all the elements that permit cutting the orange, extracting the juice and collecting it are mounted on the machine. To do this, consult the machine model purchased on the diagram indicated in section: *Unpacking and start-up. Assembly and detachment of components according to model.*

Check the state of the containers and filter to guarantee quality juice.

If you have a machine with 1Step kit (19+) you can remove and replace the 1Step kit in just one step.

## Juicing

If you have a machine with:

- Automatic PulpOut System (42+), the pulp and any seeds will be expelled from the left hand side of the machine.
- SS Tap Up (44U), SS Tap S +plus (44+) or Tank tap (55), read the instructions for use of the Self Service tap in section *Assembly and detachment of components according to model.*
- Automatic filling machine, the machine will stop automatically when it reaches maximum level. Remember to fit the Tank/Cooler buoy (2), following the assembly instructions. You will also have to select filling quantity.

## Waste area

Make sure that the elements that collect the orange peel are correctly positioned.

Check if the tanks are getting full, to prevent the peel from flowing over.

You can also use the new function, **Waste Limit**, which enables you to programme an alarm so that the machine will stop when the waste bin is full.

You can select the number of oranges you want to squeeze before the alarm sounds. Once you have squeezed the amount of oranges programmed, the machine will stop and a warning will appear on the display so that the operator knows the waste bin has to be emptied.

If you have purchased a machine with Podium, the peel will fall directly into the Peel buckets



To switch the alarm off, press the **OK** button for approximately 2" until it comes to a stop.

**Remember!**

"Short OK", it doesn't switch off.

"Long OK", double "beep", to switch off.

To switch the alarm off permanently, enter the **Waste Limit** section of the **CLIENT MENU**.

If the machine is turned off or unplugged, the waste alarm will be eliminated and it will start from zero again.

**Machine operation**

**General**

The machine can operate in **Professional** or **Automatic** mode in all the models. To shift from one mode to another keep the **Mode** button pressed for a few seconds. Whenever you change from Automatic to Professional, you will be asked to program the number of oranges to be squeezed. If you do not want to change the quantity, just wait a few seconds or quickly press the **OK** button. If you wish to modify the quantity, press the + - buttons to select the quantity, and then the **OK** button until the **Saved** symbol appears.

**Speed Pro Basic Model**

<p><b>AUTOMATIC MODE</b> From automatic mode:</p> <p> <b>START</b> Starts the machine</p> <p> <b>STOP</b> Stops the machine</p> <p>Uninterrupted operation.</p>	<p><b>PROFESSIONAL MODE</b></p> <p><b>Minimum number of oranges</b>   1</p> <p><b>Maximum number of oranges</b>   12</p> <p><b>Default value</b>   3</p> <p>Operation until its reaches the quantity stipulated.</p>
---	--

**Speed Pro, Speed Up, Speed S<sup>+plus</sup>  
Speed Up All-in-One, Speed S<sup>+plus</sup> All-in-One**

The **START** button is not active. It is only active in **MANUAL** mode.

<p><b>AUTOMATIC MODE</b> Control from SS Tap Up (44U)/ SS Tap S +Plus (44+).</p> <p>Uninterrupted operation, whilst the tap is pressed.</p>	<p><b>MANUAL MODE</b> (If the tap does not work) The <b>START</b> button becomes active in Manual mode.</p> <p>In manual mode, it is still possible in Automatic and Professional mode from the keypad.</p> <p><b>"AUTOMATIC" MANUAL</b> Uninterrupted operation.</p> <p><b>"PROFESSIONAL" MANUAL</b></p> <p><b>Minimum number of oranges</b>   1</p> <p><b>Maximum number of oranges</b>   12</p> <p><b>Default value</b>   3</p> <p>The <b>STOP</b> button is always operative.</p>
<p><b>PROFESSIONAL MODE</b> Control from tap whilst pressed.</p> <p><b>Minimum number of oranges</b>   1</p> <p><b>Maximum number of oranges</b>   12</p> <p><b>Default value</b>   3</p>	



### Tap Self Service Up (44U), Tap Self Service S <sup>+plus</sup> (44+)

You have purchased a multi-function tap. This enables you to produce juice either discontinuously or continuously without having to press the button.

See the different possibilities in: Assembly of components according to model, SS Tap Up (44U), SS Tap S <sup>+plus</sup> (44+).

### Speed S <sup>+plus</sup> Tank All-in-One (90), Speed Pro Cooler Podium (100)

Make sure that the Tank (53) or Tank (70.6) is placed as close as possible to the sensor on the base. Make sure that the buoy is placed correctly on the lid and that it moves freely (Fig. 5+ and 6).

If the Tank/Cooler buoy (52) is not in place, the machine will not work (Fig. 16).

<b>AUTOMATIC MODE</b>	1
When you connect the machine at the start of the day, select the <b>START</b> button for the machine to start up.	
The machine starts to squeeze until the tank is full and the Level detector (56) does not find the Tank/Cooler buoy (52). The machine will stop then.	2
When the juice level gets low again, the machine will start up again, about 15" after it has not detected the buoy, and so on and so forth, in automatic mode.	3
The full or half full tank symbol will appear unless <b>STOP</b> has been pressed, indicating that although the machine is in automatic mode, it has stopped, waiting for the tank to be emptied, in order to re-start the filling process. When you press <b>STOP</b> , the symbol will disappear as the machine is no longer operating.	4

<b>PROFESSIONAL MODE</b>	
The machine will start up when you press <b>START</b> and will stop when the Level detector (56) does not find the Tank/Cooler buoy (52) or reaches the assigned volume. When the level drops, the machine will not start up again until you press <b>START</b> again.	1
It has 3 different filling volumes, according to your juice needs.	2

<b>MANUAL MODE</b> (In case the sensor does not work)	
If the Level detector (56) does not work, enter the menu and activate the <b>MANUAL MODE</b> . When you do this, you will be able to enjoy all the machine functions without the detector, until this is repaired.	
<b>"AUTOMATIC" MANUAL</b>	1
Non stop operation.	
<b>"PROFESSIONAL" MANUAL</b>	2
Program the number of oranges to be squeezed. The machine will stop when it reaches the selected value or the <b>STOP</b> button is pressed.	
<b>Remember!</b> In manual mode, you must keep a watch over the juice level so that it never flows over, as level function has been annulled.	

### Speed Pro Cooler: Cooler Unit

Switch the cooler unit on by activating the switch on the left of the juice outlet. You can adjust the juice temperature with the control situated on the right. **Turn in clockwise direction for colder juice and anti-clockwise direction for less cold juice.**

Activate the tank lever to fill a glass or jug.

**! Important!** Remember to switch off the Cooler unit (70) when you switch off the main machine to avoid unnecessary consumption.

## Configuration

Your Zumex **Speed** juicer enables you to set parameters to your liking.

Use the electronic device to choose and program the operating mode of your machine. With it, you can control attributes and functionalities following the **MENUS** enclosed.

To enter the MENU press the **STOP** and **MODE** buttons for at least 2 seconds and enter the default PIN (0000). Then press **OK** button for at least 2 seconds to confirm the PIN.

After entering the menu, you can set:

**LANGUAGE:** You have a choice of 23 available languages.

**PIN:** See or change the current PIN so that nobody else can change the machine parameters.

**COUNTER:** See total or partial counter of the machine. Reset the partial counter, visible on the main screen. To reset the machine counter, press **STOP + START** for 3 seconds until the counter indicates 0000000.

Ascending or descending **CREDIT:** You can program the machine credit so the machine can be stopped, in ascending order or descending order, until the machine has been programmed again.

**MODE LOCKING SYSTEM:** You can get the machine to only work in Automatic or Professional and even so the number of oranges or volume to be squeezed cannot be changed, so that it only squeezes the quantity set by you.

**MANUAL MODE (Help mode):** Some machine models have an actuator or an auxiliary operating sensor. This can be annulled by selecting the **MANUAL** mode. [Self Service Model: SS Tap Up (44U), SS Tap S +plus (44+) and Cooler Model: Level detector (56)].

**WASTE LIMIT:** You can activate an alarm so that the machine will stop when the desired number of oranges has been squeezed. Thus, you will know when the waste bin has to be emptied.

**PULPOUT SYSTEM:** You can activate the Automatic PulpOut System for automatic pulp and seed removal. You can choose between continuous and non-continuous modes.

**Continuous mode,** eliminates pulp whenever the machine is juicing. It means the system runs automatically and therefore means that you can go longer between cleans.

**Non-continuous mode,** means a longer amount of time for the pulp to be filtered. You can choose how often the system is activated depending on the type of fruit used and the quantity of pulp created. Fast frequency will mean that the system is activated more often.

The conveyor belt will run on the following settings:



What is more, you can activate the "Self cleaning" option which means that the belt will be cleaned automatically after the last juicing. In non-continuous mode the "Self cleaning" function will activate 30 seconds after the last use.

On your Display Digital, you will see symbols such as these:

	Continuous Mode
	Non-continuous Mode Intermediate
	Continuous Mode with "Self Cleaning"
	Non-continuous mode, high speed with "Self Cleaning"

The PulpOut system can always be stopped by pressing the **STOP** button. In continuous mode with "Self Cleaning" the **STOP** button must be pressed twice, once to stop the machine and the second time to stop the self cleaning.

**CALIBRATION:** You can calibrate the machine to guarantee that the machine count is correct at all times.

**MACHINE STATUS:** You have access to the different anomalies that a machine stoppage may have caused.

**CONTRAST:** You can adjust the brightness level on the display.

**Remember!** Within the CLIENT MENU mode:

"Press **OK**" to go down a level.

"Press **OK at least 2 seconds**" to go up a level.

"Press **OK at least 2 seconds**" to save data (The save symbol will appear).

To exit CLIENT MENU, you must go up the same number of levels you have gone down.

## Menu diagram

### Main menu



1	<b>LANGUAGE.</b> Select the language to operate the machine.	<b>PULPOUT.</b> Choose the mode for the Automatic PulpOut System.	6
2	<b>PIN.</b> See or change the PIN.	<b>CALIBRATION.</b> To calibrate the machine for correct count.	7
3	<b>COUNTER.</b> See total or partial counter of the machine.	<b>STATUS.</b> Access the different anomalies that a machine stoppage may have caused.	8
4	<b>MODE.</b> Select the working mode: automatic or professional.	<b>CONTRAST.</b> To adjust the brightness level on the display.	9
5	<b>WASTE LIMIT.</b> Activate a warning to know when to empty the waste bin.		



## Cleaning

Zumex recommends cleaning the machine at least once or twice a day, depending on how much it is used in order to maintain optimal food hygiene conditions.

Zumex recommends using **Zumex Citric Active Detergent™**, which is specially designed to clean citrus juicers with a high descaling effect for wax and pulp.

### For correct cleaning you must follow the steps below:

- A** All of the plastic components are dishwasher safe, apart from the Speed Pro Cooler Juice Tank (70.6).
- B** Do not put the SS Tap Up (44U), SS Tap S +plus (44+) in the dishwasher as it can lead to premature oxidation of the stainless steel.

### All models

- 1** Unplug the machine from mains.
- 2** For assembly and disassembly check the relevant section for each component found in the *Assembly and Disassembly section*.
- 3** Remove Side Outlets.
- 4** Remove the Cover.
- 5** Follow the instructions for the Assembly/disassembly of the various components dependent on model.

### Speed Pro Basic, Speed Up, Speed Up All-in-One, Speed Cooler Podium

- 6** Remove the blade-holder, pulling towards you from the handle.
- !** **WARNING!** Handle this part with great care as you could cut yourself.
- 7** Extract the peel ejectors from their supports (**Fig. 1**)
- 8** Remove the pressing units by pairs, previously unscrewing the securing knobs (**Fig. 1**).
- 9** Remove the juice containers and filters; see the respective Figure according to model according to section *Unpacking and start-up*.

### Speed S +plus, Speed S +plus All-in-One, Speed S +plus Tank All-in-One

- 6\*** Remove the 1Step Unit (19+).

There are two possibilities when cleaning:

- **Complete cleaning:** once the unit has been removed from the machine, get rid of extra pulp and peel if there is any washing it with water and if necessary a mild soap. The whole unit is also dishwasher safe.
- **Deep cleaning:** all of the components can be removed and can be cleaned individually. Zumex recommend this type of deep cleaning at least once a week depending on how much usage the machine gets.

- 7\*** Remove the Blade holder S +plus (9+) and clean it carefully taking care not to hurt yourself.
- 8\*** Remove the PulpOut System (42+).
- 9\*** To clean all of the components of the unit they should be removed and washed individually, this can be done by hand or in the dishwasher.

### Things to remember

- C** Cleaning non-detachable elements. Use a damp cloth with lukewarm water and soap, and then rinse.
- D** Remember that although some parts are similar they must be mounted on different sides.
- E** Transparent parts and dish-washers: these parts can be washed in the dish-washer, although you must make sure you use the correct soap, salt and brightener so that the parts remain shiny and transparent.
- F** In models with tap: Unscrew the tap from the container, separate the button from the body to clean thoroughly. Remove taps as indicated in the sections: SS Tap Up (44U), SS Tap S +plus (44+), Tank Tap (55) of *Assembly and detachment of components according to model*.
- G** In models with the Drain&Clean System, Zumex recommends cleaning the inside of the tube with a large brush (**Fig. 7.1**) at the start of the feeding tube, at least once a week. This process will avoid any possible blockages.
- H** Feeding tube: Whether or not your machine has the Drain & Clean System, it is advisable to disassemble the turntable from the feeder for complete removal of wax and debris.
- I** For any area with difficult cleaning Access, we recommend using the brush (**Fig. 1**) included in the machine.





## Accessories

There is a wide range of accessories available for you to make the most of your machine:

### 1Step Kit

With this accessory you will be able to dismantle the machine in just 10 seconds and clean it under the tap or in the dishwasher.

\*Accessory available for all of the Speed S +plus range. Including juice extraction system.

### M elbow feeder cover

Impedes access to the fruit inside the M feeder elbow thus preventing contact with external agents.

### L elbow feeder cover

Impedes access to the fruit inside the L feeder elbow thus preventing contact with external agents.

### Two-position tray

Accessory available for Black podiums for serving juice in glasses and bottles

### Closed basket

Accessory that closes off and prevents access to the basket of oranges.

### Pulp cover kit

Part covering the sweeper belt that hides the pulp and prevents any possible splashes.

### Kit S / 1Step Kit S

To juice fruit that has a diameter of 45 mm to 67 mm.

### Kit L / 1Step Kit L

To juice fruit that has a diameter of 75 mm to 95 mm.

### DCS System

To juice soft or overripe citrus fruit.

### Display Stand

So that you can keep your bottles of freshly squeezed juice ready to take away. Available in two sizes.

### Contrabarra Kit

Integrates waste management keeping things practical and clean.

### Bottle set

For self-service restaurants - bottles, glasses or jugs of juice can be distributed easily. Includes three trays (4 heights). It is integral to the podium and the whole set can be transported with ease.

### Zumex Pack




Fresh drinks can be packaged for commercialization, especially freshly squeezed orange juice. There are 6 formats (1.5 l, 1 l, 75 cl, 50 cl, 33cl and 25 cl) and custom-made stickers.

Check [www.zumex.com](http://www.zumex.com) for more information on accessories for your machine.



## Troubleshooting and tips

To eliminate an error, press **OK** briefly and check that the cause of the fault is corrected, as indicated in the table below.

ERROR 	POSSIBLE CAUSE 	ACTION 
01 Cover	Does not detect the cover safety device	Check cover placement Check side outlet placement Check magnet placement Check connected cables Check cover detector
02 Tray	Does not detect container	Check container placement Check wiring connection Check container detector
03 Motor power	The motor does not work at correct voltage	Check mains voltage Check electronics plate
04 Halt	Electricity cut	Check mains voltage cable Check inner connection of cables
05 Overcurrent	The motor has over-consumption	Check obstacles in juice extraction system Check fruit hardness Check motor Check cooling
06 No Float	Does not detect buoy	Position buoy correctly Position tank correctly Check wiring Check detector
07 Credit	Counter limit reached	Eliminate counter limit Reprogram counter limit
08 Waste Limit	Counter limit reached	Press "OK" for longer until you hear a double "beep"



[zumex.com](https://zumex.com)



ZUMEX PRESENTA

## La ampliación de su serie más rápida y más robusta

Speed Pro, Speed Up y Speed S<sup>plus</sup> han sido diseñadas para atender grandes demandas de zumo. Los nuevos modelos están más preparados que nunca para ofrecer un servicio eficaz, seguro e impecable a restaurantes, cafeterías y supermercados.

Descubre su funcionamiento y sencillez de limpieza.

**El siguiente Manual hace referencia a los modelos Speed Pro, Speed Up y Speed S<sup>plus</sup>.**



Registra aquí  
tu producto

## Speed

Manual de Usuario. Instrucciones originales.

En este manual encontrará todo lo necesario para el montaje y puesta en marcha de su nueva exprimidora de la serie Speed Pro, Speed Up o Speed S<sup>plus</sup>, además de información sobre su funcionamiento, características, accesorios, consejos y precauciones.

**Por favor, lea detenidamente las instrucciones para sacarle el máximo rendimiento a su máquina.**

## ÍNDICE

- 3** ANEXO
- 76** INFORMACIÓN GENERAL IMPORTANTE
- 80** CARACTERÍSTICAS TÉCNICAS
- 81** INSTRUCCIONES DE UTILIZACIÓN
  - 81** PREPARACIÓN
  - 81** DESEMBALAJE Y PUESTA EN MARCHA
  - 84** MONTAJE Y DESMONTAJE DE LOS COMPONENTES SEGÚN MODELO
  - 96** FUNCIONAMIENTO GENERAL
  - 102** CONFIGURACIÓN
  - 106** LIMPIEZA
  - 108** ACCESORIOS
- 110** DETECCIÓN DE AVERÍAS Y CONSEJOS
- 226** DECLARACIÓN DE CONFORMIDAD UE

Zumex se reserva el derecho a modificar sin previo aviso la información contenida en este manual.



## Información general importante

El presente manual hace referencia a los siguientes modelos Zumex

Modelos Speed Pro	Zumex Speed Pro Basic
	Zumex Speed Pro Cooler Podium
Modelos Speed Up	Zumex Speed Up
	Zumex Speed Up All-in-One Wide Black
	Zumex Speed Up All-in-One Narrow Black
	Zumex Speed Up All-in-One Wide Mirror
	Zumex Speed Up All-in-One Narrow Mirror
Modelos Speed S +plus	Zumex Speed S +plus
	Zumex Speed S +plus All-in-One Wide Black
	Zumex Speed S +plus All-in-One Narrow Black
	Zumex Speed S +plus All-in-One Wide Mirror
	Zumex Speed S +plus All-in-One Narrow Mirror
	Zumex Speed S +plus Tank All-in-One

Antes de comenzar, le recomendamos que tenga en cuenta las siguientes precauciones:

- Los datos específicos de su exprimidora Zumex (tensión, frecuencia, y otros datos de interés), se encuentran en la Etiqueta de Identificación que encontrará en la propia máquina.
  - Recuerde que para cualquier consulta técnica, debe ponerse en contacto con su Distribuidor habitual / Servicio de Asistencia Técnica Oficial, mencionando siempre el Número de Serie de la Etiqueta de Identificación de la máquina.
  - En el territorio español Zumex adopta las medidas necesarias para que las máquinas puestas en el mercado sean recogidas de manera selectiva y tengan una correcta gestión ambiental. Por favor, póngase en contacto con su distribuidor autorizado de Zumex para desechar correctamente estas máquinas.
- No manipule la máquina para hacerla funcionar sin ningún elemento de seguridad.**
- Este aparato pueden utilizarlo niños con edad de 8 años y superior y personas con capacidades físicas, sensoriales o mentales reducidas o falta de experiencia y conocimiento, si se les ha dado la supervisión o formación apropiadas respecto al uso del aparato de una manera segura y comprenden los peligros que implica.
  - Los niños deberían ser supervisados para asegurar que no juegan con el aparato.
  - La limpieza y el mantenimiento a realizar por el usuario no deben realizarlos niños sin supervisión.

- Esta máquina contiene en la parte posterior un borne equipotencial para la conexión de la toma de tierra de otros aparatos a la toma de tierra de su instalación a través de ésta borna. En caso de utilizarla, afloje las tuercas y arandelas, coloque el cable de toma de tierra del aparato auxiliar y vuelva a apretar las tuercas y arandelas fuertemente. Dicho punto de equipotencialidad viene marcado por el símbolo siguiente:



- El aparato no debe ser limpiado con chorros de agua.
- Esta máquina está **diseñada para el exprimido de cítricos del tamaño indicado en este manual**: Naranja, Lima, Mandarina, Pomelos.
- No utilice frutas diferentes a los especificados en el manual.
- Durante la limpieza, mantenimiento o sustitución de partes asegúrese que siempre tiene la clavija del cable de alimentación retirada de la toma de corriente y visible.
- Utilice los elementos de corte con mucho cuidado, para evitar posibles cortes.
- Las partes que están en contacto con alimentos deben ser limpiadas según las instrucciones que podrá leer en el capítulo de limpieza.

- Si el cable de alimentación está dañado, debe ser sustituido por un cable o conjunto especial a suministrar por el fabricante o por su servicio postventa.
- La maquina se fabrica con un protector de cable para evitar que accidentalmente se tire del cable. Asegúrese de que esta protección está colocada como se indica en las instrucciones, para garantizar la seguridad del aparato.

Las instrucciones pueden actualizarse. Puede consultar las instrucciones actualizadas en nuestra página web [www.zumex.com](http://www.zumex.com), dentro del modelo de máquina escogido.

**Si tiene cualquier sugerencia o comentario para mejorar nuestras máquinas o red de servicio, le agradeceríamos que contactase directamente con Zumex en la siguiente dirección:**

**ZUMEX GROUP, S.A.**

Polígono Ind. Moncada III C/Molí 2. 46113 Moncada. Valencia. España.

Tel. +34 961 301 251 · Fax: +34 961 301 255

zumex@zumex.com / [www.zumex.com](http://www.zumex.com)

**ZUMEX SERVICE**

Tel. +34 960 800 999 · [service@zumex.com](mailto:service@zumex.com)

## Características técnicas

Modelo	Peso		Dimensiones   Ancho x Profundo x Alto		
Speed Pro Basic	66.3 Kg	146.1 lb	593 x 584 x 980 mm	23.3" x 23" x 38.6"	
Speed Pro Cooler Podium	116.1 Kg	259.6 lb	675 x 727 x 1837 mm	26.6" x 28.7" x 72.3"	
Speed Up	76.7 Kg	169.2 lb	593 x 624 x 1050 mm	23.3" x 24.6" x 41.3"	
Speed Up All-in-One Wide Black	133 Kg	293.3 lb	810 x 682 x 1775 mm	31.9" x 26.8" x 69.9"	
Speed Up All-in-One Narrow Black	129.1 Kg	284.7 lb	710 x 682 x 1775 mm	28" x 26.8" x 69.9"	
Speed Up All-in-One Wide Mirror	122.1 Kg	269.3 lb	805 x 709 x 1774 mm	31.7" x 27.9" x 69.8"	
Speed Up All-in-One Narrow Mirror	113.3 Kg	249.8 lb	700 x 709 x 1774 mm	27.5" x 27.9" x 69.8"	
Speed S +plus	83.5 Kg	184.1 lb	593 x 665 x 1050 mm	23.3" x 26.2" x 41.3"	
Speed S +plus All-in-One Wide Black	131.5 Kg	290 lb	810 x 682 x 1775 mm	31.9" x 26.8" x 69.9"	
Speed S +plus All-in-One Narrow Black	127.6 Kg	281.4 lb	710 x 682 x 1775 mm	28" x 26.8" x 69.9"	
Speed S +plus All-in-One Wide Mirror	120.6 Kg	266 lb	805 x 709 x 1774 mm	31.7" x 27.9" x 69.8"	
Speed S +plus All-in-One Narrow Mirror	111.8 Kg	246.5 lb	700 x 709 x 1774 mm	27.5" x 27.9" x 69.8"	
Speed S +plus Tank All-in-One	110.1 Kg	242.8 lb	675 x 699 x 1755 mm	26.6" x 26.3" x 69.1"	

### OTRAS CARACTERÍSTICAS (Para todos los modelos)

Tensión	100 V   50-60 Hz	120 V   60 Hz	220-240 V   50-60Hz
Potencia	350 W (560 W Cooler)	320 W (560 W Cooler)	460 W (560 W Cooler)
Consumo	3.5 A (4.87 A Cooler)	2.7 A (4.87 A Cooler)	2 A (2.4 A Cooler)
Naranjas por minuto	36/43	40	37/40
Frutas*	Naranjas, mandarinas, limas, pomelos		
Tamaño fruta	65-81 mm (45-67 mm con Kit S)		
Capacidad alimentador	20 kg / 44 lb		
Protección	IPX4		
Nivel de presión acústica	Inferior a 70 dB(A)		

\* Para el exprimido de otras frutas consulte siempre con su distribuidor más cercano.

## Instrucciones de utilización

### Preparación

Para comenzar a exprimir deberá seguir los siguientes pasos:

- 1 Desembale su exprimidora y colóquela sobre una superficie lo más horizontal posible.
  - 2 Asegúrese que la tensión de la red coincida con la indicada en la etiqueta de identificación de la máquina.
  - 3 Asegúrese que no hay obstáculos que le molesten en el proceso de desembalaje.
- ! Antes del primer uso, le recomendamos que limpie el sistema de exprimido. Ver apartado "Limpieza".

### Desembalaje y puesta en marcha

Siga las instrucciones indicadas según el modelo de máquina que ha adquirido. Los siguientes componentes pueden encontrarse sueltos y deben montarse en caso de que no lo estén:

#### Speed Pro Basic

Salida lateral cubierta derecha (2), Salida lateral cubierta izquierda (3), Cable alimentación (15), Protector cable (16), Cubeta zumo plástico (30), Filtro interior plástico (31), Filtro zumo plástico (32), Cubeta cortezas (33), Bandeja goteo (34).

Ver Figura 1 y 2.

#### Speed Pro Cooler Podium

Salida lateral cubierta derecha (2), Salida lateral cubierta izquierda (3), Cable alimentación (15), Protector cable (16), Cubeta zumo plástico (30), Filtro interior plástico (31), Filtro zumo plástico (32), Conjunto enfriador (70), Boya Tank/Cooler (52).

Ver Figura 1 y 6. Ver apartado Podium Cooler (100) para información sobre el mueble de su máquina.



### Speed Up

Salida lateral cubierta derecha (2), Salida lateral cubierta izquierda (3), Cable alimentación (15), Protector cable (16), Cubeta zumo SS (40), Subfiltro SS (41), Sistema PulpOut Automático (42+), Grifo SS Up (44U).

Ver Figura 1 y 3U.

### Speed Up All-in-one

Salida lateral cubierta derecha (2), Salida lateral cubierta izquierda (3), Cable alimentación (15), Protector cable (16), Cubeta zumo SS (40), Subfiltro SS (41), Sistema PulpOut Automático (42+), Grifo SS Up (44U).

Ver Figura 1 y 4U. Ver apartado Podium Wide y Podium Narrow (90) para información sobre el mueble de su máquina.

### Speed S<sup>+plus</sup>

Salida lateral cubierta derecha (2), Salida lateral cubierta izquierda S<sup>+plus</sup> (3+), Cable alimentación (15), Protector cable (16), Cubeta cortezas (33), Bandeja goteo (34), Cubeta zumo SS (40), Subfiltro SS (41), Sistema PulpOut Automático (42+), Grifo SS S<sup>+plus</sup> (44+), Suplemento máquina (47).

Ver Figura 1+ y 3+.

### Speed S<sup>+plus</sup> All-in-One

Salida lateral cubierta derecha (2), Salida lateral cubierta izquierda S<sup>+plus</sup> (3+), Cable alimentación (15), Protector cable (16), Cubeta zumo SS (40), Subfiltro SS (41), Sistema PulpOut Automático (42+), Grifo SS S<sup>+plus</sup> (44+).

Ver Figura 3+ y 4+. Ver apartado Podium S<sup>+plus</sup> All-in-One (90+) para información sobre el mueble de su máquina.

### Speed S<sup>+plus</sup> Tank All-in-One

Salida lateral cubierta derecha (2), Salida lateral cubierta izquierda S<sup>+plus</sup> (3+), Cable alimentación (15), Protector cable (16), Sistema PulpOut Automático (42+), Cubeta zumo Tank (50), Subfiltro Tank (51), Boya Tank/Cooler (52), Tank (53), Agitador (54), Grifo Tank (55).

Ver Figura 1+ y 5+. Ver apartado Podium Speed S<sup>+plus</sup> Tank All-in-One (90) para información sobre el mueble de su máquina.

### Conjunto Drain&Clean System (80)

En caso de que usted haya adquirido un modelo Podium, su máquina dispone de Sistema Drain&Clean. El sistema funciona a modo de desagüe desde el alimentador hasta el cubo de residuos en el interior de la máquina, por lo que le facilitará la limpieza y eliminación de residuos.

Ver Figura 7.1 y 7.2.

### Podium Tank S<sup>+plus</sup> All-in-One (90), Podium Black All-in-One (90+), Podium Mirror All-in-one (90+), Podium Cooler (100)

En el interior del Podium se encuentran todos los componentes que forman el mueble.



## Montaje y desmontaje de los componentes según modelo

### Salida lateral cubierta derecha (2), Salida lateral cubierta izquierda (3), Salida lateral cubierta izquierda S +plus (3+)

Las Salidas laterales no son iguales. Asegúrese que coloca la Salida lateral correspondiente en el lado correcto.

#### Montaje salidas (Fig. 10).

Encare la parte inferior de la salida lateral y eleve la parte superior, asegurando el cierre con un giro de 90° del pomo.

Monte la salida derecha girando el cierre hacia la derecha en sentido horario.

Montar la salida izquierda girando el cierre hacia la izquierda en sentido anti horario.

**!** ¡Importante! Existen unos iconos visibles en la pieza que explican el sentido del giro, no forzar la pestaña hacia el lado contrario.

Asegúrese que las salidas laterales están completamente montadas y colocadas correctamente en su sitio.

#### Desmontaje Salidas (Fig. 10)

Desmunte la salida derecha girando el cierre hacia nosotros en sentido antihorario hasta su posición vertical.

Desmunte la salida izquierda girando el cierre hacia nosotros en sentido horario hasta su posición vertical.

### Cubierta (1)

#### Montaje cubierta (Fig. 10.1)

Compruebe que los pomos de los ejes de la maquina están girados en su posición perpendicular al suelo (abierto)

Sujete el cuerpo de cubierta por los huecos de las salidas, haga coincidir los agujeros pasantes con los pomos y presione hacia dentro hasta que queden completamente insertados. Gire los pomos 90° grados en el sentido de las agujas del reloj para anclar la cubierta.

**!** ¡Importante! Evite forzar el montaje de la cubierta si los pivotes no están perfectamente alineados, podría provocar daños a la pieza.

#### Desmontaje cubierta (Fig. 10.1)

Gire los pomos 90° grados hasta alinearlos con los agujeros pasadores de la cubierta.

Extraiga en un movimiento horizontal la cubierta sujetando con ambas manos por los huecos dejados por las salidas.

**!** ¡Importante! Evite forzar la extracción de la cubierta si los pivotes no están perfectamente alineados, podría provocar daños a la pieza.

### Tambor macho plástico (4), Tambor hembra plástico (5)

Coloque los tambores en los ejes (Fig. 1).

Si ha adquirido un modelo Speed S +plus lea el apartado *Kit 1Step (19+)*. Coloque siempre un tambor macho y un tambor hembra del mismo lado al mismo tiempo, para facilitar el encaje.

### Volante plástico inyección (6)

Rosque los volantes para sujetar los tambores y el plato alimentador (Fig. 1).

Si ha adquirido un modelo Speed S +plus lea el apartado *Kit 1Step (19+)*.

### Cuña extractora izquierda (7), Cuña extractora derecha (8)

#### Montaje Cuñas (Fig. 21).

Coloque las cuñas en el lado correspondiente insertando en los pomos. Empuje la cuña hasta que la pala quede completamente insertada dentro del tambor macho y el canal de la pieza haga tope en el segundo pomo.

**!** ¡Importante! Si la cuña no está correctamente insertada como indica arriba podrían producirse daños en la pieza cuando la maquina entre en funcionamiento.

Si ha adquirido un modelo Speed S +plus lea el apartado *Kit 1Step (19+)*.

#### Desmontaje Cuñas (Fig. 21)

Tire de la cuña hacia fuera hasta liberarla completamente.

**!** ¡Importante! Desmunte primero las cuñas antes de desmontar otras partes del grupo de exprimido.

### Portacuchillas (9)

Coloque con cuidado la cuchilla sobre su guía y pulse hacia el interior (Fig. 1).





### Portacuchillas S <sup>+plus</sup> (9+)

Coloque con cuidado la cuchilla sobre su guía y pulse hacia el interior (**Fig. 1+**).

**Nota:** Siempre se debe insertar antes de poner el Kit 1Step.

### Cesta alimentador (13)

La cesta alimentador puede extraerse y volver a poner encarando las guías y realizando un ligero movimiento hasta notar el tope (**Fig. 1**).

### Puerta cesta alimentador (14)

La cesta alimentador dispone de una compuerta de fácil abertura para poder llenar de naranjas la cesta fácilmente (**Fig. 1**).

### Cable alimentación (15)

Comprobar que el cable de red está conectado a la máquina y protegido con retenedor de cable (**Fig. 1**).

### Protector cable con 3 tornillos (16)

El retenedor del cable fija el cable a la máquina con tres tornillos (**Fig. 1**).

### Junta cubeta Self Service/Tank 6.3 x 3.5 (17)

Esta junta está adherida con adhesivo, en caso de cambiarla recuerde utilizar un adhesivo para su fijación (**Fig. 1**).

### Espárrago cubeta (18)

Este componente solo debe ser necesario manipularlo en caso de solicitar una Cubeta zumo SS (40) o Cubeta zumo Tank (50) de repuesto (**Fig. 1**). Una vez insertada la cubeta de repuesto, ajuste el espárrago desde la parte posterior para ajustar la posición de la cubeta.

### Kit 1Step (19+)

Este conjunto permite extraer e insertar los Tambores de exprimido y Cuñas extractoras en un solo paso (**Fig. 1+**).

Antes de su colocación recuerde insertar el Portacuchillas S +plus (9+).

Para su colocación, encare los tambores con los ejes y ajuste la posición mientras acaba de introducirlos completamente. Utilice el volante central para atornillar el grupo a la máquina.

**Nota:** Para su desmontaje proceda en orden inverso.

### Montaje del conjunto Kit 1Step (19+)

- Colocamos el Soporte trasero (19.2+) sobre una superficie. Los soportes metálicos de las cuñas deben quedar bocabajo.
- Empareje los tambores macho y hembra (4 y 5). Encaje las bases circulares de los tambores en los orificios del soporte. Tenga en cuenta que las caras de los tambores son diferentes. Asegúrese de que los monta tal y como muestra la figura.
- Encaje los conos salientes de los tambores de exprimido dentro de los cuatro casquillos circulares del soporte delantero (19.1+).
- Una ambos soportes con el Volante de plástico inyección (6).
- Gire 180° el kit 1step y encaje las cuñas (7 y 8) sobre los soportes de cuñas insertando la pala extractora dentro de la junta del tambor macho. Asegúrese que ambos soportes quedan dentro del canal de la cuña como muestra la imagen 4.

### Desmontaje del conjunto Kit 1Step (19+)

- En la posición de la imagen 4, extraiga las Cuñas (7 y 8) tirando de ellas lateralmente para extraerlas de los soportes metálicos.
- Gire 180° el kit y desenrosque el Volante plástico inyección (6) que se encuentra tras los tambores y que sujeta ambos Soportes metálicos (19.1+ y 19.2+).
- Estire con cuidado del Soporte delantero (19.1+).
- Separe los Tambores macho (4) y Tambores hembra (5).

**Nota:** Para la limpieza del conjunto revise la sección *Limpieza*.



### Cubeta zumo plástico (30)

Asegúrese que la junta de sellado está correctamente montada en la cubeta (Fig. 11). Luego posicione la cubeta en la máquina. Encare y coloque hacia abajo la cubeta sobre los cuatro salientes que observara en la máquina (Fig. 2).

### Filtro interior plástico (31)

Deposite en el interior de la cubeta de exprimido (Fig. 2).

### Filtro zumo plástico (32)

Deposite en el interior de la cubeta de exprimido (Fig. 2).

### Cubeta cortezas (33)

Coloque las cubetas cortezas bajo las salidas laterales de la cubierta (Fig. 2 o 3U según modelo).

### Bandeja goteo (34)

Coloque debajo de la salida de zumo (Fig. 2 o 3U según modelo).

### Cubeta zumo Self Service (40)

#### Montaje (Fig. 12).

Encaje el Tubo detector de grifo (45) en el orificio que dispone la cubeta en la parte trasera. Deslícela hasta introducir los pines de fijación de la cubeta en el agujero de los pestillos. Presione firmemente con la mano derecha en la parte frontal de la cubeta hasta oír el Clic del pestillo y con la mano izquierda a continuación, hasta oír el clic del pestillo izquierdo. Asegúrese que ha quedado perfectamente fijada tirando de ella suavemente hacia fuera.

**!** ¡Importante! Un fijado incorrecto de la cubeta puede llevar consigo una pérdida de estanqueidad y pequeñas fugas de zumo. Asegúrese siempre que ha quedado perfectamente enclavada al cuerpo de la máquina y que el Perfil de la Cubeta está en correctas condiciones.

**Nota:** Para asegurar un correcto fijado de la cubeta se recomienda mantener los pestillos de fijación limpios de restos de zumo y/o suciedad. Pulverice un producto detergente (Zumex Citric Active) tanto en los orificios de fijación de la cubeta como en su parte interior como indica la

imagen 3 (Fig. 12). Deje actuar el producto detergente durante 1 minuto. Accione repetidamente los pestillos y proceda a la limpieza de los restos de producto con una bayeta limpia.

#### Desmontaje (Fig. 12).

Para desmontar la cubeta apriete a la vez los pestillos izquierdo y derecho. Deslice la cubeta para extraerla.

### Subfiltro Self Service (41)

Deposite en el interior de la cubeta de exprimido (Fig. 3U).

### Sistema PulpOut Automático (42+)

Con este conjunto podrá eliminar automáticamente la pulpa y las semillas durante el proceso de exprimido.

#### Montaje (Fig. 20.1+ y 20.2+)

- Inserte los Rodillos (42.1+) en la Cinta transportadora (42.2+).
- Coloque primero el rodillo del lado izquierdo en los casquillos metálicos del bastidor. Luego estire la cinta y coloque el otro rodillo en los casquillos derechos (Fig. 20.1+).
- Introduzca la Tapa de la cinta (42.4+) guiando primero los pivotes del lado derecho en las ranuras del Bastidor (42.3+)(Fig. 20.1+). Luego gire la tapa hasta que descansa completamente sobre el bastidor en posición horizontal y presiónela hasta que clipe.
- Presione ligeramente los laterales de la Tapa lateral (42.5+) y encaje en los orificios de la parte izquierda del Bastidor (Fig. 20.1+). Asegúrese que los pivotes se han insertado completamente, y que la tapa gira libremente. Deje en la posición vertical.
- Encaje el Sistema PulpOut (42+) en la máquina (Fig. 20.2+ y 20.3+). Para ello encaje el rodillo izquierdo en el eje motor situado en la parte izquierda de la máquina. Asegúrese que el conjunto descansa y se inserta en los pivotes de la cubeta.
- Gire la Tapa salpicadura (42.6+) en su posición vertical. Puede desmontar el Sistema PulpOut sin necesidad de quitar la cubierta.

**Nota:** La Tapa salpicadura ha de estar en posición horizontal para montar la cubierta.

#### Desmontaje (Fig. 20.3+)

Para desmontar el PulpOut de la máquina tire de él hacia arriba y hacia fuera. Opere de manera inversa a la indicada en Montaje para proceder al desmontaje del conjunto.



Vea el apartado de *Limpieza*, para el mantenimiento correcto del Sistema PulpOut Automático.

Puede ver su colocación en las respectivas máquinas:

Speed S +plus (Fig. 3+).

Speed S +plus All-in-One (Fig. 4+).

Speed S +plus Tank All-in-One (Fig. 5+).

## Grifo Self Service Up (44U), Grifo Self Service S +plus (44+)

### Montaje Grifo Up (13.1)

Sujete el Centrador de Grifo/Soporte de Botellas con una mano mientras con la otra gira la tuerca del soporte para fijar al caño de la cubeta.

Alinee el Grifo con el Centrador/Soporte de Botella e introduzca el pulsador entre las patillas del soporte. Sujete con una mano el grifo mientras con la otra gira la tuerca de fijación del grifo.

### Desmontaje Grifo Up (13.1)

Sujete el Grifo con una mano mientras con la otra afloja la tuerca de fijación del grifo. Una vez suelta la tuerca de fijación, tire suavemente del grifo hacia fuera.

Sujete el soporte de Botellas con una mano mientras con la otra desenrosca la tuerca del Centrador de Grifo/Soporte de Botella. Tire suavemente para separarlo de la rosca de la cubeta.

**!** ¡Importante! desmontar el grifo y el soporte con ambas manos para evitar caídas y golpes durante la manipulación.

### Montaje Grifo S+plus (14.1+)

Para montar el Grifo S+plus en la cubeta sujete el grifo con ambas manos, encare el pasador con el agujero situado en la rosca de la cubeta e introduzca suavemente el grifo. Sujete el Grifo firmemente por el Soporte de Botella con una mano y con la otra apriete la tuerca flotante de fijación del grifo.

**Nota:** Recuerde roscar la tuerca flotante hasta dejar de ver los hilos de la rosca de la cubeta.

Si no está situado correctamente no se activará el sensor del grifo.

### Desmontaje Grifo S+plus (14.1+)

Sujete el Grifo con una mano mientras con la otra afloja la tuerca de fijación del grifo.

Una vez suelta la tuerca de fijación, tire suavemente del grifo hacia fuera.

**!** ¡Importante! manipule el grifo con ambas manos, no fuerce el pasador o la rosca del Grifo. No cargue peso sobre el grifo.

### Operativa grifo (Fig. 13.2 y 14.2+)

Usted puede hacer funcionar el grifo normalmente pulsando y liberando para la extracción de zumo.

En el grifo Grifo SS S +plus (44+) el pulsador se encuentra en la parte exterior. Puede anclar el pulsador en la posición de "caño libre". Para ello gire el anillo con las líneas discontinuas/continuas hasta que la línea continua esté sobre el icono del vaso. Suelte el pulsador. Éste quedará anclado. Para eliminar el anclaje, simplemente vuelva a apretar el pulsador.

La máquina Speed S +plus All-in-one dispone de un soporte para botellas que puede ser desmontado quitando los dos tornillos traseros en caso de que sea necesario.

En el Grifo SS Up (44U) el pulsador se encuentra en la parte interior. Puede anclar el pulsador en la posición de "caño libre". Para ello presione el pulsador completamente y mueva la pestaña metálica de la parte lateral del Soporte botellas/Centrador grifo. Suelte el pulsador. Éste quedará anclado. Para eliminar el anclaje, simplemente vuelva a apretar el pulsador.

Para la limpieza diaria de ambos grifos debe desmontar la parte superior como indican las imágenes (Fig. 13.2 y 14.2+). El Grifo Up se desmonta girando la anilla plástica del cuerpo del grifo y después, extrayendo el pulsador. El Grifo S+plus se desmonta girando la anilla del cuerpo metálico.

### Junta tubo detector (46)

En caso de necesidad esta junta se puede extraer para su limpieza (Fig. 3U o 4).

### Suplemento máquina (47)

Suplemento para elevar las máquinas modelo Self Service (Fig. 3U o 3+).

**!** ¡Importante! La colocación de la máquina sobre el suplemento **nunca** debe realizarse por una única persona.

### Cubeta zumo Tank (50)

Encare los dos salientes laterales que hay en los extremos de la cubeta y presione. Puede ayudar el montaje presionando los pulsadores laterales (Fig. 15).

Para desmontar la cubeta simplemente, presione los pulsadores laterales y estire hacia usted.

### Subfiltro Tank (51)

Deposite en el interior de la cubeta de exprimido (Fig. 5+).

### Boya Tank/Cooler (52)

#### Modelo Tank

- En caso de que el soporte con boya esté suelta, afloje los pomos del soporte (Fig. 16 (1)).
- Encare los salientes del soporte por la parte inferior de la tapa (Fig. 16 (2)).
- Apriete los pomos (Fig. 16 (2 y 3U)).
- Si necesita hacer una limpieza profunda, desmonte las piezas como se indica en orden inverso a los pasos anteriores y extraiga el eje según (Fig. 16 (4)).

#### Modelo Cooler o Tank

Afloje los salientes superiores. Encare la chapa en los orificios desde la parte inferior. Vuelva a apretar los salientes superiores (Fig. 18).

#### Tank (53)

Una vez cerrado deslice sobre las guías que contiene el mueble (Fig. 5+).

### Grifo Tank (55)

Utilice la rosca para fijar el Grifo SS a la cubeta Tank. Asegúrese que lo orienta de forma vertical (Fig. 17.1).

El Grifo Tank puede funcionar en modo continuo, o discontinuo, simplemente gire el tirador 180° y se quedará enclavado al bajar el tirador, permitiendo caño libre.

Para la limpieza puede desmontarse la parte superior del Grifo SS (Fig. 17.2).

### Detector de nivel (56)

Este componente solo es necesario manipularlo en caso de pedir un repuesto. Recuerde colocar el detector en la misma posición que el detector original. Si usted dispone de una máquina Tank, el detector queda en la parte superior, si dispone de una máquina Cooler el detector queda en la parte inferior (Fig. 5+ o 6).

### Conjunto enfriador (70)

Coloque la unidad enfriadora en su alojamiento en el mueble (Fig. 6).

Monte los componentes según Fig. 18 este orden:

- Monte el pistón-junta y la palanca en el depósito siguiendo los movimientos numerados según dibujo adjunto.
- Coloque el depósito.
- Ajuste la tapa bomba en el interior del depósito con la flecha apuntando hacia usted.
- Fije la placa de enganche metálico asegurando con ella el depósito.

### Podium Tank S <sup>+plus</sup> All-in-One (90), Podium Black All-in-One (90+), Podium Mirror All-in-One (90+), Podium Cooler (100)

Colocación de máquina sobre Podium:

**!** **¡Importante!** Esta operación debe ser realizada por 2 ó 3 personas. Nunca debe realizarse por una única persona.

Bloquee con el pedal de freno las ruedas delanteras del podium para así evitar que se mueva durante la instalación.

Una vez desembalado el podium, retire los tornillos de las escuadras de sujeción y resérvelos para más tarde. Ver detalle "A" de Fig. 8.

En el interior del mueble se encuentran las caídas de cortezas y la bandeja de goteo del Podium con su filtro.

Sitúe la máquina sobre el mueble, haciendo coincidir las esquinas interiores de la base de la máquina con los dos tacos de goma del mueble, de ese modo coincidirán los agujeros de las escuadras de fijación con los de la máquina. Ahora podrá fijar la máquina con los tornillos antes reservados (Ver Fig. 5+ o 6).

#### Recuerde:

La máquina y el podium están unidos por los tornillos suministrados según se indica en este manual de instrucciones.

Nunca intente inclinar la máquina y el podium. Para desplazar desbloquee las ruedas.

### Particularidades para Podium Tank S <sup>+plus</sup> All-in-One (90)

Para los Podiums Self Service y Tank fije la bandeja goteo con su filtro en el mueble.



El componente 90.7 varía según el modelo de Podium comprado:

Podium Self Service: Componente Filtro Podium SS (90.7A).

Podium Tank: Componente Guías depósito Tank (90.7B).

En los componentes Frontis bandeja (90.8) y Filtro bandeja (90.9) se puede regular la posición para poder adaptarse a diferentes formatos de botellas y vasos.

#### Particularidades para Podium Black y Mirror All-in-One (90+)

El Podium SS S +plus (90+) contiene dos cubos de residuos independientes.

**Recuerde** siempre colocar los dos cubos.

#### Particularidades para Podium Cooler (100)

Ver Fig. 6 y 9.1 para la correcta colocación de los componentes.

Pase el cable de tensión del Conjunto enfriador por el agujero de la compuerta posterior. Para ello puede desenroscar la compuerta si es necesario (Fig. 9.2).

#### Instalación Drain&Clean System

**¡Importante!** Desenchufe la máquina de la pared.

##### Podium Tank All-in-One (90)

Si estuviera colocado, quite la Caída cortezas (90.6), el Filtro Podium SS (90.7A) y la Tolva Podium (90.3) (Fig. 8). Abra la puerta delantera. Si estuviera colocado, quite los Volantes Plástico Inyección (6), y la Tapa Podium SS/Tank (80.5).

Busque el agujero superior (Fig. 7.2), e introduzca la mano cogiendo el Tubo flexible (80.4) y colocando en el agujero (Fig. 7.1). No estire o sujete ninguna otra parte de la máquina.

Posteriormente coloque la tapa inferior del tubo con los dos volantes suministrados, y vuelva a colocar todas las piezas desmontadas previamente (Fig. 7.2).

Ver explosionado para la colocación de los componentes (Fig. 8).

##### Podium Black y Mirror All-in-One (90+)

Abra las puertas delanteras y extraiga los cubos residuos (Fig. 8.1 y 8.2). Si estuviera colocado, quite los Volantes Plástico Inyección (6), y la Tapa Podium SS/Tank (80.5).

Busque el agujero superior (Fig. 7.2), e introduzca la mano cogiendo el Tubo flexible (80.4) y colocando en el agujero (Fig. 7.1). No estire o sujete ninguna otra parte de la máquina.

Posteriormente coloque la tapa inferior del tubo con los dos volantes suministrados, y vuelva a colocar todas las piezas desmontadas previamente (Fig. 7.2).

Ver explosionado para la colocación de los componentes (Fig. 8.1 y 8.2).



## Funcionamiento general

Una vez instalada la máquina correctamente y antes de conectarla a la red verifique los datos eléctricos con el suministro eléctrico. Si todo es correcto, proceda a enchufar la máquina a la tensión de red.

Para encender la máquina, pulse el botón verde **ON**, en ese momento se encenderá el LED del botón **ON/OFF**, y el display digital de la máquina.

**Antes de operar la máquina con naranjas, debe realizar un calibrado de la máquina en vacío. Para ello debe entrar en el apartado de Calibrado dentro del MENÚ CLIENTE, o bien dejar la máquina funcionando en vacío durante 1 minuto aproximadamente hasta que ésta se detenga.**

Para un correcto conteo, puede ser necesario que posteriormente ajuste el parámetro Offset. En caso de un conteo incorrecto, proceda de la siguiente forma:

**Caso 1:** No cuenta todas las naranjas. Reduzca el valor de Offset.

**Caso 2:** Cuenta demasiadas naranjas. Aumente el valor de Offset.

Entre en **MENU> 7.Calibrado> 2.Offset** y ajuste el valor. Salga del Menú y compruebe el conteo en vacío, con 2 o 3 naranjas. Vuelva a repetir el proceso hasta encontrar el valor que permite el correcto conteo de la máquina.

Para evitar posibles errores en el conteo, procure evitar dejar la máquina parada con una naranja atrapada entre el tambor macho y hembra.

En todos los modelos se muestra el contador de naranjas. (Desviación +-1%)

Recuerde utilizar una jarra o vaso en la salida del zumo de su máquina.

En caso de faltar algún elemento de seguridad, la máquina no funcionará hasta que usted lo haya colocado.

**En caso de necesidad, usted siempre podrá apagar la máquina de la siguiente forma:**

- A** Liberando el accionador usado. Por ejemplo el grifo.
- B** Apretando la tecla **STOP**.
- C** Apretando el botón rojo **OFF**.
- D** **Sólo en caso de emergencia:** Desenchufando la máquina directamente desde la pared.
- E** Si la máquina no detecta naranjas, ésta parará aproximadamente a los 60" desde el paso de la última naranja.

## Carga del alimentador

Para cargar el alimentador de la máquina con naranjas, puede abrir la Puerta cesta alimentador (14) y vaciar parcialmente la caja de naranjas. Cierre la puerta y termine de llenar la caja.

## Unidad de exprimido

Asegúrese que la máquina tiene montados todos los elementos que permiten el corte de la naranja, el exprimido del zumo y la recogida de éste. Para ello consulte el modelo de máquina comprado con el gráfico indicado en los apartados: *Desembalaje y puesta en marcha. Montaje y desmontaje de los componentes según modelo.*

Revise el estado de las cubetas y filtro para garantizar un zumo de calidad.

Si ha comprado una máquina con Kit 1Step (19+) podrá introducir y extraer el conjunto de exprimido unidos en un solo paso.

## Servicio de zumo

Si dispone de una máquina con:

- Sistema PulpOut Automático (42+), la pulpa y los restos de semillas se eliminarán por el lado izquierdo de la máquina.
- Grifo SS Up (44U), Grifo SS S +plus (44+) o Grifo Tank (55), lea las instrucciones de uso del Grifo SS en el apartado *Montaje y desmontaje de los componentes según modelo.*
- Llenado automático, la máquina parará automáticamente al llegar al nivel máximo. Recuerde colocar Boya Tank/Cooler (52) en el sitio, siguiendo las instrucciones de montaje. También podrá seleccionar cantidad de llenado.

## Área residuos

Asegúrese que los elementos que recogen las cortezas de las naranjas están colocados correctamente en su sitio.

Revise el llenado de los depósitos para evitar rebosamiento de las cortezas.

Además puede utilizar la funcionalidad **Nivel Residuos** (Waste Limit), que le permite programar una alarma para que la máquina se pare cuando el cubo de residuos esté lleno.



Usted puede seleccionar con qué número de naranjas exprimidas quiere que salte la alarma. Una vez se ha exprimido la cantidad de naranjas programadas, se paraliza la máquina y el Display muestra un aviso para que el operario sepa que tiene que vaciar el cubo de residuos.

Si ha adquirido una máquina con Podium, las cortezas caerán directamente al Cubo cortezas.

Para desactivar el aviso de residuos, pulse el botón **OK** durante al menos 2", hasta que se detenga.

**¡Recuerde!**

"Ok corto", no desactiva el aviso.

"Ok largo", doble beep, para desactivar el aviso.

Para desactivar este sistema de aviso de forma permanente, entre en el apartado **Nivel residuos** dentro del **MENÚ CLIENTE**.

En caso de apagar o desenchufar la máquina la alarma de residuos se eliminará, y volverá a empezar desde cero.

### Accionamiento de la máquina

#### General

En todos los modelos, usted podrá operar la máquina de forma **Profesional** o de forma **Automática**. Para pasar de un modo a otro, mantenga la tecla **Mode** apretado unos instantes. Siempre que pase de modo Automático a Profesional le pedirá que programe el número de naranjas a exprimir. En caso de no querer modificar la cantidad simplemente espere unos segundos o presione rápidamente la tecla **OK**. En caso de querer modificar la cantidad, presione las teclas +/- para seleccionar la cantidad, y luego presione la tecla **OK** hasta que aparezca el símbolo de **Grabado**.

### Modelo Speed Pro Basic

#### MODO AUTOMÁTICO

Desde el modo automático:

 **START** Inicia la máquina


 **STOP** Para la máquina

Funcionamiento ininterrumpido.

#### MODO PROFESIONAL

Mínimo de naranjas  1

Máximo de naranjas  12

Valor por defecto  3

Funcionamiento hasta llegar a la cantidad estipulada.

### Speed Pro, Speed Up, Speed S<sup>+plus</sup> Speed Up All-in-One, Speed S<sup>+plus</sup> All-in-One

La tecla **START** no está activa. Únicamente lo está en el modo **MANUAL**.

#### MODO AUTOMÁTICO


Control desde el Grifo SS Up (44U)/  
Grifo SS S +Plus (44+).

Funcionamiento ininterrumpido,  
mientras el grifo está pulsado.

#### MODO PROFESIONAL

Control desde el grifo mientras está pulsado.

Mínimo de naranjas  1

Máximo de naranjas  12

Valor por defecto  3

#### MODO MANUAL (En caso de que el grifo no funcione)

En Modo Manual la tecla **START** pasa a estar activa.

En el modo manual sigue pudiendo operar  
en modo Automático y Profesional desde el teclado.


#### MANUAL "AUTOMÁTICO"

Funcionamiento ininterrumpido.

#### MANUAL "PROFESIONAL"

Mínimo de naranjas  1

Máximo de naranjas  12

Valor por defecto  3

La tecla **STOP** siempre está operativa.

### Grifo Self Service Up (44U), Grifo Self Service S <sup>+plus</sup> (44+).

Usted ha adquirido un grifo multifunción. Le permite suministrar zumo de manera discontinua o de forma continua sin necesidad de estar apretando el pulsador.

Vea las diferentes posibilidades en: Montaje y desmontajes de los componentes según modelo, Grifo SS Up (44U), Grifo SS S <sup>+plus</sup> (44+).

### Speed S <sup>+plus</sup> Tank Podium (90), Speed Pro Cooler Podium (100)

Asegúrese siempre que el Tank (53) o Depósito (70.6) está colocado lo más próximo posible al sensor que se encuentra en la base. Asegúrese que la boya está colocada en la tapa de forma correcta y se mueve libremente (Fig. 5+ y 6).

Si la Boya Tank/Cooler (52) no está colocada, la máquina no funcionará (Fig. 16)

<b>MODO AUTOMÁTICO</b>	1
Cuando se conecta la máquina al inicio del día se selecciona el botón <b>START</b> para que la máquina se ponga en marcha.	
La máquina empieza a exprimir hasta que el depósito se llena y el Detector de nivel (56) no encuentra la Boya Tank/Cooler (52). En ese momento la máquina se parará.	2
Cuando vuelva a bajar el nivel de zumo la máquina se volverá a poner en marcha después de haber pasado unos 15" desde que no detecta la boya, y así sucesivamente en modo automático.	3
Mientras no se ha apretado <b>STOP</b> aparecerá el dibujo del tanque lleno o semilleno, indicando que aunque la máquina está en modo automático, está parada esperando a que se vacíe el tanque, para volver a iniciar el proceso de llenado. Al apretar <b>STOP</b> desaparece el dibujo, y la máquina ya no está funcionando.	4

<b>MODO PROFESIONAL</b>	1
La máquina se pondrá en marcha al pulsar <b>START</b> y se parará cuando el Detector de nivel (56) no encuentre la Boya Tank/Cooler (52) o alcance el volumen asignado. Cuando vuelva a bajar el nivel la máquina no se pondrá en marcha hasta que se vuelva a pulsar <b>START</b> .	
Dispone de 3 volúmenes diferentes de llenado, según sus necesidades de zumo.	2

<b>MODO MANUAL</b> (En caso de que el sensor no funcione)	
En caso de que el Detector de nivel (56) no funcionase, se debe entrar en el menú y activar el <b>MODO MANUAL</b> . Al hacer esto, podrá disponer de toda la funcionalidad de la máquina sin el detector, hasta que éste sea reparado.	
<b>MANUAL "AUTOMÁTICO"</b>	1
Funcionamiento ininterrumpido.	
<b>MANUAL "PROFESIONAL"</b>	2
Programa la cantidad de naranjas a exprimir. La máquina parará al llegar al valor seleccionado o al apretar la tecla <b>STOP</b> .	
<b>¡Recuerde!</b> En modo manual debe vigilar el nivel de zumo para que nunca desborde, puesto que la función de nivel esta anulada.	



## Speed Pro Cooler: Unidad de enfriamiento

Encienda el grupo enfriador accionando el interruptor que se encuentra a la izquierda en la salida de zumo del depósito. Puede regular la temperatura del zumo mediante el regulador situado a la derecha, gírelo en **sentido horario para más frío y en contra del sentido horario para menos frío**.

Accione la palanca del depósito para llenar un vaso o una jarra.

**¡Importante!** Recuerde apagar el Conjunto enfriador (70) al apagar la máquina principal para evitar consumos innecesarios.

## Configuración

Su exprimidora Zumex **Speed** le permite ajustar parámetros según sus preferencias.

Usted puede elegir y programar el modo de funcionamiento de su máquina utilizando el dispositivo electrónico. Con él, podrá controlar atributos y funcionalidades siguiendo los **MENÚS** que se adjuntan.

Para entrar en el **MENÚ** debe apretar las teclas **STOP** y **MODE** durante al menos 2" e introducir el PIN por defecto (0000). Luego apriete la tecla **OK** al menos 2" para confirmar el PIN.

Una vez dentro usted podrá configurar:

**IDIOMA:** Puede seleccionar entre uno de los 23 idiomas disponibles.

**PIN:** Ver o cambiar el PIN actual para que nadie cambie ningún parámetro de la máquina.

**CONTADOR:** Ver el contador total o parcial de la máquina. Resetear el contador parcial visible en la pantalla principal. Para resetear el contador de la máquina pulse la tecla **STOP+START** durante 3" hasta que el contador se haya puesto a 0000000.

**CRÉDITO** ascendente o descendente: Usted podrá programar el crédito de la máquina, con lo cual la máquina se podrá detener al alcanzar el límite de crédito, ascendente o descendente, hasta que se vuelva a programar la cantidad.

**BLOQUEO DE MODO:** Usted puede hacer que la máquina funcione únicamente en modo Automático, Profesional e incluso que no se puedan cambiar el número de naranjas o volumen a exprimir para que se exprima únicamente la cantidad fijada por usted.

**MODO MANUAL (Modo de auxilio):** En aquellos modelos de máquina que tienen un accionador o un sensor de funcionamiento auxiliar, puede anularse seleccionando el modo **MANUAL**. [Modelo Self Service: Grifo SS Up (44U). Modelo Tank y Cooler: Detector de nivel (56)].

**NIVEL RESIDUOS:** Podrá activar una alarma para que se pare la máquina cuando se haya exprimido la cantidad de naranjas deseada, de esta forma sabrá cuando tiene que vaciar el cubo de residuos.

**SISTEMA PULPOUT:** Podrá activar el Sistema PulpOut Automático para la eliminación automática de pulpa y semillas. Puede elegir entre el modo de uso continuo o discontinuo.

El **modo continuo**, elimina la pulpa durante todo el tiempo de exprimido. Alarga la autonomía del sistema, y por tanto, el tiempo de uso antes de su limpieza.



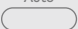

El **modo discontinuo**, permite un tiempo de filtrado de pulpa más extenso. Puede elegir la frecuencia a la que se activa el sistema, dependiendo del tipo de cítrico utilizado y la cantidad de pulpa. Una frecuencia rápida, activará el sistema en intervalos de tiempo menor.

De este modo, la cinta se pondrá en marcha, dependiendo del programa que elija, después de los siguientes ciclos de exprimido:



Además puede activar la función "Auto limpieza", que permite que se limpie la cinta automáticamente después del último exprimido. En el modo discontinuo, la función "Auto limpieza" se activa 30 segundos después del último exprimido.

**En el display, estos son algunos ejemplos de representación:**

-  Funcionamiento continuo
-  Funcionamiento discontinuo velocidad intermedia
-  Funcionamiento continuo con función "Auto Limpieza"
-  Funcionamiento discontinuo, velocidad rápida con función "Auto Limpieza"

En cualquier situación en que el Sistema PulpOut esté funcionando, apretando la tecla **STOP** se detendrá. En funcionamiento continuo con "Auto Limpieza" es necesario pulsar dos veces la tecla **STOP**, una para detener la maquina, y otra para detener la autolimpieza.

**CALIBRADO:** Usted puede realizar un calibrado de la máquina para el correcto conteo de la máquina en cualquier momento.

**ESTADO DE LA MÁQUINA:** Usted tiene acceso a las distintas anomalías que hayan podido causar un paro en la máquina.

**CONTRASTE:** Puede graduar la intensidad del brillo del display.

¡Recuerde! Dentro del modo MENÚ CLIENTE:

"Presione OK" para bajar de nivel.

"Presione OK al menos 2 segundos" para subir de nivel.

"Presione OK al menos 2 segundos" para grabar un dato (Aparecerá el símbolo de grabado).

Para salir del MENÚ CLIENTE, debe ascender tantos niveles como haya descendido.

**Diagrama de menús**  
Menú principal



1	<b>IDIOMA.</b> Elegir el idioma para operar la máquina.	<b>PULPOUT.</b> Seleccione el modo de funcionamiento del Sistema PulpOut Automático	6
2	<b>PIN.</b> Ver o cambiar el PIN	<b>CALIBRADO.</b> Para realizar un calibrado de la máquina para un correcto conteo.	7
3	<b>CONTADOR.</b> Ver el contador total o parcial de la máquina.	<b>ESTADO.</b> Acceder a las distintas anomalías que hayan podido causar un paro en la máquina.	8
4	<b>MODO.</b> Seleccione el modo de trabajo: automático o profesional.	<b>CONTRASTE.</b> Para graduar la intensidad del brillo del Display.	9
5	<b>NIVEL RESIDUOS.</b> Activar un aviso para saber cuándo vaciar el cubo de residuos.		

## Limpieza

Zumex recomienda limpiar la máquina al menos 1 o 2 veces al día, dependiendo de su uso, para mantener las condiciones de higiene alimentarias.

Zumex recomienda el uso del detergente **Zumex Citric Active™** especialmente diseñado para la limpieza de exprimidoras de cítricos con alto poder desincrustante para cera y pulpa.

### Para una correcta limpieza deberá seguir los siguientes pasos:

- A** Todas las piezas plásticas son aptas para su lavado en lavavajillas, excepto el Depósito Zumo Speed Pro Cooler (70.6).
- B** Para evitar una oxidación prematura del Acero inoxidable no se recomienda lavar en el lavavajillas los Grifo Self Service Up (44U), Grifo Self Service S +plus (44+).

### Todos los modelos

- 1** Desconecte la máquina de red.
- 2** Para el montaje y desmontaje lea el apartado de cada componente indicado dentro del capítulo *Montaje y desmontaje de los componentes según modelo*.
- 3** Desmonte las Salidas Laterales.
- 4** Desmonte la cubierta.
- 5** Montaje y desmontaje de los componentes según modelo.

### Speed Pro Basic, Speed Up, Speed Up All-in-One, Speed Cooler Podium

- 6** Desmonte el portacuchillas tirando hacia usted desde el asa.
- !** **¡ATENCIÓN!** Maneja esta pieza con mucho cuidado, ya que podría cortarse.
- 7** Saque de sus soportes las cuñas extractores de cortezas (**Fig. 1**)
- 8** Desmonte los tambores de exprimido por parejas, desenroscando previamente los volantes que los sujetan (**Fig. 1**).
- 9** Desmonte las cubetas y filtros de zumo, según modelo vea la figura correspondiente, según apartado *Desembalaje y puesta en marcha*.

### Speed S +plus, Speed S +plus All-in-One, Speed S +plus Tank All-in-One

- 6+** Desmonte el Kit 1Step (19+) de la máquina.

Es posible realizar dos tipos de limpieza:

- **Limpieza del kit completo:** una vez extraído el kit de la máquina, elimine los posibles restos de pulpa y corteza lavando con agua y si es necesario con jabón suave. También es posible introducir en lavavajillas montado y proceder a su lavado.
- **Limpieza en profundidad:** todos los componentes son desmontables de forma individual para una limpieza más exhaustiva de piezas. Zumex recomienda una limpieza profunda del kit de extracción, al menos una vez por semana dependiendo del uso de la máquina.

- 7+** Desmonte el Portacuchillas S +plus (9+) y proceda a su limpieza con cuidado de no dañarse con el filo.
- 8+** Desmonte el Sistema PulpOut Automático (42+).
- 9+** Para la correcta limpieza de todos los elementos del conjunto, éstos deben ser desmontados y lavados individualmente. Puede realizarse de forma manual o en lavavajillas.

### Consideraciones

- C** Limpieza de los elementos no desmontables: utilizar una bayeta con agua tibia con agua y jabón, para su posterior aclarado.
- D** Recuerde que hay piezas que aun siendo parecidas se montan en diferentes lados.
- E** Piezas transparentes y lavavajillas: el lavado de estas piezas en el lavavajillas es posible, aunque debe cuidar el uso correcto de jabón, sal y abrillantador para que las piezas no pierdan brillo y transparencia.
- F** En modelos con grifo: Desenrosque el grifo de la cubeta, separe el pulsador del cuerpo para una limpieza homogénea. Recuerde desmontar los grifos para una limpieza en profundidad según se indica en los apartados: Grifo SS Up (44U), Grifo SS S + Plus (44+), Grifo Tank (55) de *Montaje y desmontaje de los componentes según modelo*.
- G** En los modelos con Sistema Drain&Clean, Zumex recomienda realizar una limpieza del interior del tubo, introduciendo el cepillo largo (**Fig. 7.1**) por la abertura del alimentador, al menos una vez por semana. Este proceso evitará posibles atascos de la zona.
- H** Alimentador: Tanto si su modelo dispone de Sistema Drain&Clean System, como si no, es conveniente desmontar el plato giratorio del alimentador para la completa eliminación de cera y restos de suciedad.
- I** Para cualquier zona con difícil acceso de limpieza, le recomendamos utilice el cepillo (**Fig. 1**) incluido en la máquina.



## Accesorios

Encontrará una amplia gama de accesorios con los que configurar su exprimidora según sus necesidades:

### Kit 1Step

Con este accesorio podrás desmontar el grupo de exprimido en sólo 10" y dejar tu máquina lista para seguir funcionando con el otro Kit.

\*Accesorio disponible para todos los modelos Speed S +plus. Incluye grupo de exprimido.

### Funda Codo M

Impide el acceso a la fruta que hay en el interior del codo alimentador M para evitar el contacto con agentes externos.

### Funda Codo L

Impide el acceso a la fruta que hay en el interior del codo alimentador L para evitar el contacto con agentes externos.

### Bandeja 2 posiciones

Accesorio disponible para los pódiums Black para ofrecer un servicio de zumo en vaso y en botella.

### Cierre Cesta

Tapa que cierra y bloquea el acceso a la cesta de las naranjas.

### Kit Pulp Cover

Pieza que cubre el barredor evitando que se vea la pulpa y las posibles salpicaduras.

### Kit S / Kit 1Step S

Para procesar fruta con un calibre desde 45 mm y hasta 67 mm.

### Kit L / Kit 1Step L

Para procesar fruta con un calibre desde 75 mm y hasta 95 mm.

### Sistema DCS

Para exprimir cítricos blandos o muy maduros.

### Podium Display

Para que tengas siempre tus botellas de zumo recién exprimido frescas y listas para llevar. Disponible en dos tamaños.

### Kit Contrabarra

Integra la gestión de residuos en barra de la forma más práctica y limpia.

### Conjunto botellero

Para contextos de autoservicio, permite distribuir botellas, copas o vasos. Incluye tres bandejas (preparado con 4 alturas). Queda integrada en el pódium y permite transportar todo el conjunto con facilidad.

### Zumex Pack

Permite envasar bebidas frescas para su comercialización, especialmente el zumo de naranja recién exprimido. Hay 6 formatos (1.5 l, 1 l, 75 cl, 50 cl, 33cl y 25 cl) y adhesivos personalizables.

Consulte en la web de Zumex [www.zumex.com](http://www.zumex.com) la información sobre los accesorios que puede acoplar a su máquina.



## Detección de averías y consejos

Para eliminar un error, pulse la tecla **OK** brevemente, y compruebe que corrige el causante del fallo según se indica en la tabla inferior.

ERROR 	CAUSA POSIBLE 	ACCIÓN 
<b>01 Cubierta</b>	No detecta la Seguridad de la cubierta	Verificar colocación cubierta Verificar colocación Salida Lateral Verificar colocación imán Verificar cables conectados Verificar detector cubierta
<b>02 Cubeta</b>	No detecta cubeta	Verificar colocación cubeta Verificar conexión cableado Verificar detector cubeta
<b>03 Motor Red</b>	El motor no funciona a una tensión correcta	Verificar Tensión de red Verificar Placa electrónica
<b>04 Interrupción</b>	Corte eléctrico	Verificar cable tensión de red Verificar conexionado interior de los cables
<b>05 Sobrecorriente</b>	El motor realiza un sobreconsumo	Verificar obstáculos en el sistema de exprimido Verificar la dureza de la fruta Verificar motor Verificar refrigeración
<b>06 Sin Boya</b>	No detecta boya	Colocar boya correctamente Colocar tanque correctamente Verificar cableado Verificar detector
<b>07 Crédito</b>	Límite contador alcanzado	Eliminar límite contador Reprogramar límite contador
<b>08 Nivel Residuos</b>	Límite contador alcanzado	Pulsar OK largo hasta escuchar doble "beep"



[zumex.com](http://zumex.com)



ZUMEX PRESENTE

## L'élargissement de sa série la plus rapide et la plus robuste

Speed Pro, Speed Up et Speed S +plus ont été conçus pour répondre aux fortes demandes en jus. Les nouveaux modèles sont mieux préparés que jamais pour offrir un service efficace, fiable et impeccable à des restaurants, cafétérias et supermarchés.

Découvrez leur fonctionnement et leur simplicité d'entretien.

**Le présent manuel s'applique aux modèles Speed Pro, Speed Up et Speed S +plus.**



Enregistrez votre  
Zumex ici

## Speed

Manuel de l'utilisateur. Instructions originales.

Dans ce manuel, vous trouverez tout ce dont vous avez besoin pour l'installation et la mise en service de votre nouveau presse-agrume de la série Speed Pro, Speed Up ou Speed S +plus, ainsi que des informations sur son fonctionnement, ses caractéristiques, ses accessoires, des conseils et les précautions à prendre.

**Veillez lire attentivement ce manuel pour tirer le meilleur profit de votre Speed et faites la différence.**

## SOMMAIRE

- 3** ANNEXE
- 114** INFORMATIONS IMPORTANTES, GENERALITES
- 118** CARACTERISTIQUES TECHNIQUES
- 119** INSTRUCTIONS D'UTILISATION
  - 119** PREPARATION
  - 119** DEBALLAGE ET MISE EN MARCHE
  - 122** MONTAGE ET DEMONTAGE DES COMPOSANTS SELON LE MODELE
  - 134** FONCTIONNEMENT GENERAL
  - 142** CONFIGURATION
  - 144** NETTOYAGE
  - 146** ACCESSOIRES
- 148** DETECTION DES PANNES ET CONSEILS
- 226** EU DÉCLARATION DE CONFORMITÉ

Zumex se réserve le droit de modifier sans préavis les informations contenues dans le présent manuel.



## Informations importantes, généralités

Le présent manuel s'applique aux modèles Zumex suivants

Modèles Speed Pro	Zumex Speed Pro Basic
	Zumex Speed Pro Cooler Podium
Modèles Speed Up	Zumex Speed Up
	Zumex Speed Up All-in-One Wide Black
	Zumex Speed Up All-in-One Narrow Black
	Zumex Speed Up All-in-One Wide Mirror
	Zumex Speed Up All-in-One Narrow Mirror
Modèles Speed S +plus	Zumex Speed S +plus
	Zumex Speed S +plus All-in-One Wide Black
	Zumex Speed S +plus All-in-One Narrow Black
	Zumex Speed S +plus All-in-One Wide Mirror
	Zumex Speed S +plus All-in-One Narrow Mirror
	Zumex Speed S +plus Tank All-in-One

Avant de commencer, merci de prendre connaissance des informations suivantes:

- Les données spécifiques concernant votre presse-agrumes Zumex (tension, fréquence et autres données importantes) figurent sur la Plaque signalétique qui se trouve sur l'appareil.
- Nous rappelons pour toute question technique, vous devez contacter votre Distributeur habituel / Service d'assistance technique officiel en rappelant toujours le Numéro de série qui figure sur la Plaque signalétique de la machine.
- Zumex a adopté les mesures nécessaires pour que les machines commercialisées soient reprises dans le cadre du tri des déchets conformément aux bonnes pratiques de gestion de l'environnement. Merci de contacter votre distributeur agréé Zumex pour mettre au rebut ces machines conformément aux procédures établies.
- **Ne pas manipuler la machine ou la faire fonctionner en l'absence de l'un quelconque des éléments de sécurité.**
- Cet appareil peut être utilisé par des enfants de 8 ans ou plus, ou des personnes dont les capacités physiques, sensorielles ou mentales sont réduites ou par des personnes manquant d'expérience et de connaissance, du moment qu'elles soient sous surveillance ou qu'elles aient reçu les instructions adéquates quant au fonctionnement de l'appareil en toute sécurité.
- Surveiller les enfants afin de s'assurer qu'ils ne jouent pas avec l'appareil.
- Le nettoyage et la maintenance à réaliser par l'utilisateur ne doivent pas être réalisés par des enfants sans la surveillance d'un adulte.

- Une borne équipotentielle est prévue à l'arrière de la machine en vue du raccordement d'autres appareils à la terre de votre installation. Pour l'utiliser, il suffit de desserrer les écrous et les rondelles, de mettre le câble de terre de l'appareil auxiliaire puis de resserrer fermement les écrous et les rondelles. Ce point d'équipotentialité est indiqué par le symbole suivant:



- L'appareil ne doit pas être nettoyé au jet d'eau.
- Cette machine a été **conçue pour presser des agrumes dont les dimensions sont indiquées dans le présent manuel**: oranges, citrons, mandarines et pamplemousses.
- Il ne faut pas utiliser des fruits autres que ceux indiqués dans le manuel.
- Lors des opérations de nettoyage, de maintenance ou de remplacement de pièces, il faut toujours s'assurer que la prise du câble d'alimentation a été débranchée. Cette dernière doit être visible.
- Il faut faire attention aux parties coupantes afin d'éviter tout risque de coupures.
- Les parties qui sont en contact avec les aliments doivent être nettoyées selon les indications du chapitre relatif au nettoyage.

- Si le câble d'alimentation est abîmé, il devra être remplacé par un câble ou un ensemble spécial qui sera fourni par le fabricant ou son service après-vente.
- La machine est fabriquée avec un protecteur de câble afin d'éviter que le câble ne soit arraché accidentellement. Veuillez vous assurer que la protection est placée comme indiqué sur les instructions, afin de garantir la sécurité de l'appareil.

Les indications du mode d'emploi pourront faire l'objet de mises à jour. Vous pouvez les consulter sur notre site [www.zumex.com](http://www.zumex.com), dans le volet du modèle choisi.

**Si vous avez des suggestions ou des commentaires à faire afin d'améliorer nos machines ou notre réseau de service, merci de contacter directement Zumex à l'adresse suivante:**

**ZUMEX GROUP, S.A.**

Polígono Ind. Moncada III C/Molí 2. 46113 Moncada. Valencia. Espagne.

Tel. +34 961 301 251 · Fax: +34 961 301 255

zumex@zumex.com / [www.zumex.com](http://www.zumex.com)

**ZUMEX SERVICE**

Tel. +34 960 800 999 · [service@zumex.com](mailto:service@zumex.com)





## Caractéristiques techniques

Modèle	Poids		Dimensions   Largeur x Profondeur x Hauteur		
Speed Pro Basic	66.3 Kg	146.1 lb	593 x 584 x 980 mm	23.3" x 23" x 38.6"	
Speed Pro Cooler Podium	116.1 Kg	259.6 lb	675 x 727 x 1837 mm	26.6" x 28.7" x 72.3"	
Speed Up	76.7 Kg	169.2 lb	593 x 624 x 1050 mm	23.3" x 24.6" x 41.3"	
Speed Up All-in-One Wide Black	133 Kg	293.3 lb	810 x 682 x 1775 mm	31.9" x 26.8" x 69.9"	
Speed Up All-in-One Narrow Black	129.1 Kg	284.7 lb	710 x 682 x 1775 mm	28" x 26.8" x 69.9"	
Speed Up All-in-One Wide Mirror	122.1 Kg	269.3 lb	805 x 709 x 1774 mm	31.7" x 27.9" x 69.8"	
Speed Up All-in-One Narrow Mirror	113.3 Kg	249.8 lb	700 x 709 x 1774 mm	27.5" x 27.9" x 69.8"	
Speed S +plus	83.5 Kg	184.1 lb	593 x 665 x 1050 mm	23.3" x 26.2" x 41.3"	
Speed S +plus All-in-One Wide Black	131.5 Kg	290 lb	810 x 682 x 1775 mm	31.9" x 26.8" x 69.9"	
Speed S +plus All-in-One Narrow Black	127.6 Kg	281.4 lb	710 x 682 x 1775 mm	28" x 26.8" x 69.9"	
Speed S +plus All-in-One Wide Mirror	120.6 Kg	266 lb	805 x 709 x 1774 mm	31.7" x 27.9" x 69.8"	
Speed S +plus All-in-One Narrow Mirror	111.8 Kg	246.5 lb	700 x 709 x 1774 mm	27.5" x 27.9" x 69.8"	
Speed S +plus Tank All-in-One	110.1 Kg	242.8 lb	675 x 699 x 1755 mm	26.6" x 26.3" x 69.1"	

### D'AUTRES CARACTÉRISTIQUES (Pour tous les modèles)

Tension	100 V   50-60 Hz	120 V   60 Hz	220-240 V   50-60Hz
Puissance	350 W (560 W Cooler)	320 W (560 W Cooler)	460 W (560 W Cooler)
Consommation	3.5 A (4.87 A Cooler)	2.7 A (4.87 A Cooler)	2 A (2.4 A Cooler)
Oranges par minute	36/43	40	37/40
Fruits*	Oranges, mandarines, citrons, pamplemousses		
Taille des fruits	65-81 mm (45-67 mm avec Kit S)		
Capacité du chargeur	20 kg / 44 lb		
Protection	IPX4		
Niveau de pression acoustique	Inférieur 70 dB(A)		

\* Pour les autres fruits pressés toujours vérifier auprès de votre revendeur le plus proche.

## Instructions d'utilisation

### Préparation

Avant de commencer le pressage, vous devez suivre les étapes suivantes:

- 1 Déballer l'appareil et placez-le sur une surface qui soit la plus horizontale possible.
  - 2 Assurez-vous que la tension d'alimentation correspond à celle indiquée sur la plaque signalétique de la machine que vous trouverez sur l'appareil.
  - 3 Assurez-vous que rien ne vous gêne au cours du processus de déballage.
- ! Avant la première utilisation, nous vous recommandons de nettoyer le système de pressage. Voir section « Nettoyage ».

### Deballage et mise en marche

Suivez les instructions indiquées, en fonction du modèle de machine que vous avez acheté. Les composants suivants peuvent être livrés en pièces détachées et doivent être assemblés s'ils ne le sont pas déjà :

#### Speed Pro Basic

Sortie latérale capot droite (2), Sortie latérale capot gauche (3), Câble d'alimentation (15), Protecteur câble (16), Bac à jus en plastique (30), Filtre intérieur en plastique (31), Filtre à jus en plastique (32), Bac à déchets (33), Bac antigouttes (34).

Voir Figures 1 et 2.

#### Speed Pro Cooler Podium

Sortie latérale capot droite (2), Sortie latérale capot gauche (3), Câble alimentation (15), Protecteur câble (16), Bac à jus en plastique (30), Filtre intérieur en plastique (31), Filtre à jus en plastique (32), Ensemble refroidisseur (70), Flotteur Tank/Cooler (52).

Voir Figures 1 et 6. Voir paragraphe Podium Cooler (100) pour plus d'informations sur le meuble de votre machine.



### Speed Up

Sortie latérale capot droite (2), Sortie latérale capot gauche S +plus (3+), Câble d'alimentation (15), Protecteur câble (16), Bac à jus SS (40), Sous-filtre SS (41), Système PulpOut automatique (42+), Robinet SS Up (44U)

Voir Figures 1 et 3U.

### Speed Up All-in-One

Sortie latérale capot droite (2), Sortie latérale capot gauche S +plus (3+), Câble d'alimentation (15), Protecteur câble (16), Bac à jus SS (40), Sous-filtre SS (41), Système PulpOut automatique (42+), Robinet SS Up (44U)

Voir Figures 1 et 4U. Voir section Podium Wide et Podium Mirror (90) pour plus d'informations concernant le meuble de votre machine.

### Speed S +plus

Sortie latérale capot droite (2), Sortie latérale capot gauche S +plus (3+), Câble d'alimentation (15), Protecteur câble (16), Bac à déchets (33), Bac antigouttes (34), Bac à jus SS (40), Sous-filtre SS (41), Système PulpOut automatique (42+), Robinet SS S +plus (44+) Accessoire de levage machine (47).

Voir Figures 1+ et 3+.

### Speed S +plus All-in-One

Sortie latérale capot droite (2), Sortie latérale capot gauche S +plus (3+), Câble d'alimentation (15), Protecteur câble (16), Bac à jus SS (40), Sous-filtre SS (41), Système PulpOut automatique (42+), Robinet SS S +plus (44+)

Voir Figures 1+ et 4+. Voir section Podium S +plus All-in-One (90+) pour plus d'informations concernant le meuble de votre machine.

### Speed S +plus Tank All-in-One

Sortie latérale capot droite (2), Sortie latérale capot gauche S +plus (3+), Câble d'alimentation (15), Protecteur câble (16), Système PulpOut automatique (42+), Bac à jus Tank (50), Sous-filtre Tank (51), Flotteur Tank/Cooler (52), Tank (53), Mélangeur (54), Robinet Tank (55).

Voir Figures 1+ et 5+. Voir section Podium Speed S +plus Tank All-in-One (90) pour plus d'informations concernant le meuble de votre machine.

### Ensemble Drain&Clean System (80)

Si vous avez acheté un modèle Podium, votre machine dispose d'un Système Drain&Clean. Il s'agit d'un système de vidange qui relie le distributeur au bac à déchets situé à l'intérieur de la machine, ce qui facilite le nettoyage et l'élimination des déchets.

Voir Figure 7.1 et 7.2.

### Podium Tank S +plus All-in-One (90), Podium Black All-in-One (90+), Podium Mirror All-in-One (90+), Podium Cooler (100)

Tous les composants faisant partie du meuble se trouvent à l'intérieur du podium.

## Montage et démontage des composants selon le modèle

### Sortie latérale capot droite (2), Sortie latérale capot gauche (3), Sortie latérale capot gauche S<sup>+plus</sup> (3+)

Les sorties latérales ne sont pas identiques. Assurez-vous de placer la sortie latérale correspondante sur le côté qui lui est destiné.

#### Montage sorties (Fig. 10).

Placez le bas de la sortie latérale et soulevez la partie supérieure, vérifiez la fermeture en tournant le bouton de 90 °.

Montez la sortie droite en tournant le verrou dans le sens des aiguilles d'une montre.

Montez la sortie gauche en tournant le verrou dans le sens contraire des aiguilles d'une montre.

**!** **Important!** il y a des icônes visibles sur la pièce pour indiquer le sens de rotation, sans forcer la tirette du côté opposé.

Assurez-vous que les sorties latérales sont entièrement assemblées et correctement positionnées.

#### Démontage sorties (Fig. 10)

Démontez la sortie droite en tournant le verrou dans le sens contraire des aiguilles d'une montre jusqu'à la position verticale.

Démontez la sortie gauche en tournant le verrou dans le sens des aiguilles d'une montre jusqu'à la position verticale.

### Capot (1)

#### Montage du capot (Fig. 10.1)

Vérifiez que les boutons des axes de la machine sont tournés de façon à être perpendiculaires au sol (ouvert).

Tenez le corps du capot par les trous de sorties, faites les correspondre avec les goupilles et appuyez jusqu'à ce qu'elles soient complètement insérées. Tournez les boutons de 90 degrés dans le sens des aiguilles d'une montre pour verrouiller le capot.

**!** **Important!** Évitez de forcer le montage du capot si les pivots ne sont pas parfaitement alignés, cela pourrait endommager la pièce.

#### Démontage du capot (Fig. 10.1)

Tournez les boutons de 90 degrés jusqu'à ce qu'ils soient alignés avec les goupilles du capot. Retirez le couvercle dans un mouvement horizontal, en tenant à deux mains les trous laissés par les sorties.

**!** **Important!** Évitez de forcer l'extraction du capot si les pivots ne sont pas parfaitement alignés, cela pourrait endommager la pièce.

#### Tambour mâle plastique (4), Tambour femelle plastique (5)

Placez les tambours sur leurs axes (Fig. 1). Si vous avez choisi un modèle Speed S +plus, veuillez lire le paragraphe *Kit 1Step (19+)*.

Placez toujours un tambour mâle et un tambour femelle du même côté et de manière simultanée pour qu'ils s'emboîtent plus facilement.

#### Ecrou papillon plastique injection (6)

Vissez les écrous papillon pour fixer les tambours et le plateau chargeur (Fig. 1).

Si vous avez choisi un modèle Speed S +plus, veuillez lire le paragraphe *Kit 1Step (19+)*.

#### Extracteur d'écorce gauche (7), Extracteur d'écorce droite (8)

##### Montage des extracteurs (Fig. 21).

Placez les extracteurs dans le côté correspondant en insérant les boutons. Poussez l'extracteur jusqu'à ce que la lame soit complètement insérée dans le tambour mâle et que la pièce soit fixée au niveau du deuxième bouton.

**!** **Important!** Si l'extracteur n'est pas correctement inséré comme indiqué ci-dessus, la pièce pourrait être endommagée lors du fonctionnement de la machine.

Si vous avez choisi un modèle Speed S +plus, veuillez lire le paragraphe *Kit 1Step (19+)*

##### Démontage de l'extracteur (Fig. 21)

Tirez l'extracteur jusqu'à le sortir complètement.

**!** **Important!** Démontez en premier les extracteurs avant de démonter les autres parties du tambour de pressage.



### Porte-lames (9)

Placez avec précaution la lame sur le guide correspondant et appuyez vers l'intérieur (Fig. 1).

### Porte-lames S <sup>+plus</sup> (9+)

Placez avec précaution la lame sur le guide correspondant et appuyez vers l'intérieur (Fig. 1+).

**Important :** Doit être toujours inséré avant de placer le Kit 1Step.

### Panier chargeur (13)

Le panier chargeur peut être retiré puis remis en place en l'assemblant avec les guides et en réalisant un léger mouvement jusqu'à sentir la limite (Fig. 1).

### Porte du panier chargeur (14)

Le panier chargeur est doté d'une porte facile à ouvrir et permettant de remplir très facilement le panier à oranges (Fig. 1).

### Câble d'alimentation (15)

Vérifier que le câble d'alimentation est branché à la machine et protégé par le serre-câble (Fig. 1).

### Protecteur de câble à 3 vis (16)

Le serre-câble fixe le câble à la machine avec trois vis (Fig. 1).

### Joint bac Self Service/Tank 6.3 x 3.5 (17)

Ce joint est fixé avec de l'adhésif, en cas de remplacement veuillez à utiliser un adhésif pour le fixer de nouveau (Fig. 1).

### Goujon bac (18)

La manipulation de ce composant n'est nécessaire qu'en cas de commande d'un Bac à jus SS (40) ou d'un Bac à jus Tank (50) de rechange (Fig. 1). Une fois le bac de rechange inséré, ajustez le goujon par l'arrière pour régler la position du bac.

### Kit 1Step (19+)

Cet ensemble permet d'extraire et d'insérer les tambours de pressage et extracteurs d'écorce en une seule étape (Fig. 1+).

Avant de le placer, veuillez à insérer le Porte-lames S +plus (9+).

Pour le placer, fixez les tambours dans les axes et ajustez la position jusqu'à les introduire complètement. Utilisez l'écrou papillon central pour visser l'ensemble à la machine.

**Note :** Pour le démonter, procédez dans l'ordre inverse.

### Assemblage du kit 1Step (19+)

a) Placez le support arrière (19.2) sur une surface. Les supports métalliques des extracteurs doivent rester face vers le bas.

b) Assemblez les tambours mâles et femelles (4 et 5). Fixez les bases circulaires des tambours dans les orifices du support. Notez que les côtés face des tambours sont différents.

Veillez à les monter tel qu'indiqué sur le schéma.

d) Insérez les cônes dépassant des tambours de pressage dans les quatre bagues circulaires du support avant (19.1+).

e) Assemblez les deux supports à l'aide de l'écrou papillon en plastique (6).

c) Tournez le kit à 180 ° et fixez les extracteurs (7 et 8) sur les supports d'extracteurs en insérant la lame dans la jointure du tambour mâle. Veillez à ce que les deux supports se trouvent à l'intérieur de l'axe de l'extracteur comme indiqué dans l'image 4.

### Démontage du kit 1Step (19+)

c) Mettez le kit dans la même position que dans l'image 4 et retirez les Extracteurs (7 et 8) en les tirant jusqu'à les extraire des supports métalliques.

a) Tournez le kit à 180 ° et dévissez l'Écrou papillon en plastique (6) situé derrière les tambours et servant à fixer les deux supports en métal (19.1+ et 19.2+).

b) Tirez soigneusement sur le Support avant (19.1+).

c) Séparez les Tambours mâle (4) et Tambours femelle (5).

**Remarque :** Pour le nettoyage du kit, veuillez consulter la section « Nettoyage ».

### Bac à jus en plastique (30)

Assurez-vous que le joint de fermeture est bien monté sur le bac (Fig. 11). Puis placez le bac dans la machine. Placez et logez le bac en bas sur les quatre pitons visibles sur la machine (Fig. 2).

### Filtre intérieur en plastique (31)

Placez le filtre à l'intérieur du bac de pressage (Fig. 2).

### Filtre à jus en plastique (32)

Placez le filtre à l'intérieur du bac de pressage (Fig. 2).

### Bac à déchets (33)

Placez les bacs à déchets sous les sorties latérales du capot (Fig. 2 ou 3U selon le modèle).

### Bac antigouttes (34)

Placez le bac antigouttes sous la sortie du jus (Fig. 2 ou 3U selon le modèle).

### Bac à jus Self Service (40)

#### Montage (Fig. 12).

Insérez le Tube détecteur de niveau du robinet (45) dans l'orifice sur la partie arrière du bac. Faites-le glisser dans l'orifice jusqu'à ce que les goupilles de fixation du bac soient insérées. Appuyez fermement avec la main droite sur la partie avant du bac jusqu'à entendre le clic du verrou et idem avec la main gauche jusqu'à entendre le clic du verrou gauche. Assurez-vous qu'il est correctement fixé en tirant légèrement dessus.

**!** **Important!** Une mauvaise fixation du bac peut entraîner une perte d'étanchéité et de petites fuites de jus. Assurez-vous toujours qu'il est parfaitement fixé à l'ensemble de la machine et que le profil du bac est en bon état.

**Remarque :** Pour garantir la bonne fixation du bac, il est recommandé de maintenir les vis de fixation propres de tout reste de jus et/ou de toute saleté. Pulvériser un produit détergent (Zumex Citric Active) à la fois dans les orifices de fixation du bac ainsi que dans la partie intérieure, comme indiqué dans l'image 3 (Fig. 12). Laissez agir le produit détergent pendant 1 minute. Faites fonctionner les écrous à plusieurs reprises et essuyez tout produit restant à l'aide d'un chiffon propre.

#### Démontage (Fig. 12).

Pour démonter le bac appuyez sur les écrous gauche et droit en même temps. Faites glisser le bac pour le retirer.

### Sous-Filtre Self Service (41)

Placez le sous-filtre à l'intérieur du bac de pressage (Fig. 3U).

### Système PulpOut automatique (42+)

Cet ensemble permet d'éliminer automatiquement la pulpe et les pépins pendant le processus de pressage.

#### Montage (Fig. 20.1+ et 20.2+)

- Placez les Rouleaux (42.1+) sur le Tapis Roulant (42.2+).
- Placez le premier rouleau du côté gauche dans les douilles métalliques du châssis. Tirez ensuite sur la bande et placez l'autre rouleau dans les douilles situées à droite (Fig. 20.1+).
- Introduisez le Couvercle de la bande (42.4+) en plaçant premièrement les pivots du côté droit dans les fentes du Châssis (42.3+) (Fig. 20.1+). Tournez ensuite le couvercle jusqu'à ce qu'il repose complètement sur le châssis en position horizontale et appuyez dessus jusqu'à encastrer le clip.
- Appuyez légèrement sur les côtés du Couvercle latéral (42.5+) et placez-le dans les orifices de la partie gauche du Châssis (Fig. 20.1+). Veillez à ce que les pivots soient bien insérés et que le couvercle tourne librement. Conservez l'ensemble en position verticale.
- Placez l'Ensemble PulpOut (42+) dans la machine (Fig. 20.2+ et 20.3+). Pour ce faire, placez le rouleau gauche dans l'essieu moteur situé sur la partie gauche de la machine. Veillez à ce que l'ensemble repose et soit inséré sur les pivots du bac.
- Tournez le Couvercle anti-projections (42.6+) en position verticale. Le Système PulpOut peut être démonté sans besoin d'enlever le capot.

**Remarque :** Le Couvercle anti-projections doit être en position horizontal pour monter le capot.

#### Démontage (Fig. 20.3+)

Pour démonter le système PulpOut de la machine, tirez-le vers le haut et vers vous. Opérez dans l'ordre inverse pour procéder au démontage du système.



Consultez la section « *Nettoyage* » pour entretenir correctement le Système PulpOut automatique.

Il peut être placé dans les machines suivantes :

Speed S +plus (Fig. 3+).

Speed S +plus All-in-One (Fig. 4+).

Speed S +plus Tank All-in-One (Fig. 5+).

### Robinet Self Service Up (44U), Robinet Self Service S<sup>+plus</sup> (44+)

#### Montage du Robinet Up (13.1)

Tenez le dispositif de centrage du robinet/de support des bouteilles d'une main tout en tournant l'écrou de support de l'autre main pour le fixer au bec du bac.

Alignez le Robinet avec le dispositif de centrage du robinet/de support des bouteilles et introduisez le bouton presseur entre les pattes de support. Tenez le robinet d'une main et de l'autre vissez l'écrou du robinet.

#### Démontage du Robinet Up (13.1)

Tenez le robinet d'une main et de l'autre dévissez l'écrou du robinet. Une fois l'écrou retiré, tirez doucement le robinet.

Tenez le Support de bouteilles d'une main et de l'autre dévissez l'écrou du dispositif de centrage du robinet/de support des bouteilles. Tirez doucement pour le séparer de l'écrou du bac.

**!** **Important!** Démontez le robinet et le support à deux mains pour prévenir toute chute ou coup pendant la manipulation.

#### Montage du Robinet S+plus (14.1+)

Pour monter le Robinet S +plus dans le bac, tenez le robinet à deux mains, insérez le piton dans l'orifice de l'écrou du bac et introduisez doucement le robinet. Tenez le Robinet fermement au Support de bouteille d'une main, et de l'autre vissez l'écrou flottant du robinet.

**Remarque :** Veillez à visser l'écrou flottant jusqu'à ne plus voir les rainures de l'écrou du bac.

S'il n'est pas correctement placé, le capteur du robinet ne s'activera pas.

#### Démontage du Robinet S+plus (14.1+)

Tenez le robinet d'une main et de l'autre dévissez l'écrou du robinet.

Une fois l'écrou dévissé, tirez doucement le robinet.

**!** **Important!** manipulez le robinet à deux mains, ne forcez pas sur la goupille ou l'écrou du robinet. Ne mettez pas de poids sur le robinet.

#### Fonctionnement du robinet (Fig. 13.2 et 14.2+)

Vous pouvez utiliser le robinet normalement en appuyant sur le bouton poussoir pour faire sortir le jus.

Le bouton presseur du Robinet SS S +plus (44+) est situé à l'extérieur. Vous pouvez verrouiller le bouton presseur en position « écoulement libre ». Pour ce faire, tournez l'anneau à lignes continues/discontinues jusqu'à ce que la ligne continue se retrouve face à l'icône du verre. Relâchez le bouton presseur. Celui-ci restera verrouillé. Pour déverrouiller, appuyez de nouveau sur le bouton presseur.

La machine Speed S +plus All-in-one dispose d'un support pour bouteilles qui peut être démonté en retirant les deux vis situées à l'arrière en cas de besoin.

Le bouton presseur du Robinet SS Up (44U) est situé à l'intérieur. Vous pouvez verrouiller le bouton presseur en position « écoulement libre ». Pour ce faire, appuyez sur le bouton presseur et déplacez le goujon métallique sur le côté du support de bouteilles/centrage du robinet. Relâchez le bouton presseur. Celui-ci restera verrouillé. Pour déverrouiller, appuyez de nouveau sur le bouton presseur.

Pour le nettoyage quotidien des deux robinets, retirer la partie supérieure comme indiqué dans les images (**fig. 13.2 et 14.2+**). Le Robinet Up se démonte en tournant la bague en plastique du robinet puis en retirant le bouton presseur. Le Robinet S+plus se démonte en tournant la bague du corps métallique.

#### Joint tube detecteur (46)

Si nécessaire, ce joint peut être extrait pour être nettoyé (**Fig. 3U ou 4**).

#### Supplément pour lever la machine (47)

Utilisez cet accessoire pour lever la machine (**Fig. 3U ou 3+**).

**!** **Important!** L'installation de la machine sur l'accessoire d'élévation ne doit **jamais** être réalisée par une personne seule.



### Bac a jus Tank (50)

Insérez les deux pitons latéraux situés à l'extrémité du bac et appuyez. Vous pouvez vous aider en appuyant sur les boutons poussoirs latéraux (Fig. 15).

Pour démonter le bac, appuyez sur les boutons poussoirs latéraux et tirez vers vous.

### Sous-Filtre Tank (51)

Placez le sous-filtre à l'intérieur du bac de pressage (Fig. 5+).

### Flotteur Tank/Cooler (52)

#### Modele Tank

- Au cas où le support avec flotteur serait détaché, desserrez les boutons du support (Fig. 16 (1)).
- Introduisez les pitons du support dans la partie inférieure du couvercle (Fig. 16 (2)).
- Resserrez les boutons (Fig. 16 (2 et 3U)).
- Si vous avez besoin de réaliser un nettoyage en profondeur, démontez les pièces tel qu'indiqué dans l'ordre inverse puis retirez l'essieu (Fig. 16 (4)).

#### Modele Cooler ou Tank

Dévissez les pitons du haut. Insérez la plaque dans les trous par en-dessous. Revissez les pitons du haut (Fig. 18).

#### Tank (53)

Glissez-le après fermeture, sur les guides du meuble (Fig. 5+).

### Robinet Tank (55)

Utilisez le filetage pour fixer le robinet Self Service au bac du Tank. Assurez-vous qu'il soit orienté verticalement (Fig. 17.1).

Le robinet Tank peut fonctionner en mode continu ou discontinu, il suffit de tourner la poignée de 180° pour le verrouiller dès que l'on baisse la tirette, ce qui libère la buse.

Pour le nettoyage, la partie haute du robinet Self Service peut être démontée (Fig. 17.2).

### Decteur de niveau (56)

Vous n'aurez à manipuler ce composant que si vous avez commandé une pièce de rechange. N'oubliez pas de replacer le détecteur dans la même position que le détecteur d'origine. Si vous avez une machine Tank, le détecteur est en haut, si vous avez une machine Cooler le détecteur est en bas (Fig. 5+ ou 6).

### Ensemble refroidisseur (70)

Placez l'unité de refroidissement dans le logement prévu à cet effet dans le meuble (Fig. 6).

Assemblez les composants tels qu'illustré à la Fig. 19 dans l'ordre suivant:

- Montez le piston-joint et la tirette sur le réservoir en suivant les mouvements numérotés sur le dessin.
- Placez le réservoir.
- Réglez le couvercle pompe à l'intérieur du réservoir avec la flèche pointant vers vous.
- Fixez la plaque de maintien métallique qui tient le réservoir.

### Podium Tank S <sup>+plus</sup> All-in-One (90), Podium Black All-in-One (90+), Podium Mirror All-in-One (90+), Podium Cooler (100)

Mise en place de la machine sur le meuble à affichage:

**!** **Important!** Cette opération doit être réalisée par 2 ou 3 personnes. Elle ne doit jamais être réalisée par une personne seule.

Bloquez les roues avant du meuble avec la pédale de frein pour l'empêcher de bouger lors de l'installation.

Après avoir déballé l'appareil, retirez les vis des équerres de fixation et mettez-les de côté pour plus tard. Voir détail "A" de la Fig. 8.

A l'intérieur du meuble se trouvent les déchets d'écorce et le plateau antigouttes du meuble avec son filtre.

Placez la machine sur le meuble, en insérant les coins du bas du socle de la machine dans les deux coins de caoutchouc du meuble, de manière à ce que les trous des équerres de fixation coïncident avec ceux de la machine. Maintenant vous pouvez fixer la machine avec les vis préalablement mises de côté (Voir Figure 5+ ou 6).



#### Rappel:

La machine et le meuble à affichage sont accrochés l'un à l'autre par des vis fournies tel que précisé dans ce manuel.

Ne jamais incliner l'appareil et le meuble. Pour les déplacer, débloquez les roues.

#### Particularités du Podium Tank S <sup>+plus</sup> All-in-One (90)

Pour les meubles Self Service et Tank, fixez le plateau antigouttes avec son filtre sur le meuble à affichage.

Voir le dessin des pièces démontées pour le placement des composants (Figure 8).

Le composant 90.7 varie selon le modèle de meubles :

Meuble Self Service: Composant Filtre meuble SS (90.7A).

Meuble Tank: Composant Guides réservoir Tank (90.7B).

Les composants Plaque Face Bac (90.8) et Filtre Bac (90.9), sont réglables en position pour s'adapter aux différents formats de bouteilles et de verres.

#### Particularités du Podium Black et Mirror All-in-One (90+)

Le Podium SS S <sup>+plus</sup> (90+) dispos de deux bas à déchets séparés.

**Veillez** à toujours installer les deux bacs.

#### Particularités du Podium Cooler (100)

Voir les Figures 6 et 9.1 pour la bonne installation des composants.

Passer le câble électrique de l'Ensemble refroidisseur par le trou de la porte arrière. Pour ce faire, vous pouvez dévisser la porte si nécessaire (**Fig. 9.2**).

#### Installation Drain&Clean System:

**!** Important! Débranchez l'appareil.

#### Podium Tank All-in-One (90)

Si elle est en place, retirez le Récupérateur Déchets (90.6), le Filtre Meuble SS (90.7A) et l'Entonnoir Meuble (90.3) (**Fig. 8**). Ouvrez la porte avant. S'ils sont déjà installés, retirez les écrous papillon plastique injection (6) et le Couvercle Podium SS / Tank (80.5).

Cherchez le trou en haut (**Fig. 7.2**) et mettez la main pour attraper le Tube flexible (80.4) et le placer dans le trou (**Fig. 7.1**). Ne retirer ou ne déplacer aucun autre composant de la machine.

Ensuite, placez la plaque intérieure du tube avec les deux écrous papillons fournis et remontez toutes les pièces démontées précédemment (**Fig. 7.2**).

Voir le dessin des pièces démontées pour le placement des composants (**Fig. 8**).

#### Podium Black et Mirror All-in-One (90+)

Ouvrez les portes avant et retirez les bacs à déchets (**Fig. 8.1 et 8.2**). Ouvrez la porte avant. S'ils sont déjà installés, retirez les écrous papillon plastique injection (6) et le Couvercle Podium SS / Tank (80.5).

Cherchez le trou en haut (**Fig. 7.2**) et mettez la main pour attraper le Tube flexible (80.4) et le placer dans le trou (**Fig. 7.1**). Ne retirer ou ne déplacer aucun autre composant de la machine.

Ensuite, placez la plaque intérieure du tube avec les deux écrous papillons fournis et remontez toutes les pièces démontées précédemment (**Fig. 7.2**).

Voir le dessin des pièces démontées pour le placement des composants (**Fig. 8.1 et 8.2**).



## Fonctionnement general

Une fois la machine correctement installée et avant de la brancher au courant du secteur, vérifiez les caractéristiques électriques de l'alimentation. Si tout est ok, branchez l'appareil à la prise murale.

Pour allumer la machine, appuyez sur le bouton vert **ON**, à ce moment, le voyant LED de la touche **ON/OFF** s'allume ainsi que l'affichage numérique de la machine.

**Avant d'utiliser la machine et d'introduire des oranges, vous devez effectuer un étalonnage de la machine à vide. Pour cela, vous devez entrer dans la rubrique Etalonnage du MENU CLIENT ou laisser la machine fonctionner à vide pendant une minute environ jusqu'à ce qu'elle s'arrête d'elle-même.**

Pour un bon fonctionnement du compteur, il sera peut-être nécessaire de régler le paramètre Offset après le calibrage de la machine.

**Cas 1 :** Ne compte pas toutes les oranges. Réduisez la valeur de l'Offset.

**Cas 2 :** Compte trop d'oranges. Augmentez la valeur de l'Offset.

Pour ce faire, accédez au **MENU>5.Étalonnage>2.Offset** puis réglez la valeur. Quittez le menu et vérifiez le comptage à vide puis avec 2 ou 3 oranges. Recommencez le procédé pour trouver la valeur qui permet un bon fonctionnement du compteur de la machine.

Pour éviter d'éventuelles erreurs de comptage, il faut éviter d'arrêter la machine si une orange est coincée entre le tambour mâle et le tambour femelle.

Le compteur d'oranges est affiché sur tous les modèles. (Écart +-1%)

N'oubliez pas de placer une Cruche ou un Verre à la sortie du jus de la machine.

Si l'un des éléments de sécurité n'est pas en place, la machine ne fonctionnera pas, tant que cela n'aura pas été réparé.

**Si nécessaire, vous pouvez toujours éteindre la machine de la manière suivante:**

- A** En relâchant le bouton poussoir/la tirette utilisé(s). Par exemple, le robinet.
- B** En appuyant sur la touche **STOP**.
- C** En appuyant sur le bouton rouge **OFF**.
- D** **Uniquement en cas d'urgence :** en débranchant la machine directement de la prise.
- E** Si la machine cesse de détecter des oranges, elle s'arrête environ 60" après le passage de la dernière orange.

## Chargement du panier chargeur

Pour alimenter le chargeur de la machine avec des oranges, vous pouvez ouvrir la Porte du panier chargeur (14) et y vider une partie de la caisse d'oranges. Fermez la porte et terminez le remplissage du panier.

## Unite de pressage

Assurez-vous que tous les éléments de la machine qui permettent la découpe des oranges, le pressage du jus et la récupération de ce dernier sont montés. Pour cela, consultez le modèle de machine acheté sur le graphique Figurant au point *Deballage et mise en marche. Montage et démontage des composants selon le modele.*

Vérifier l'état des bacs et du filtre à jus pour garantir un jus de qualité.

Si vous avez acheté une machine dotée d'un Kit 1Step (19+), vous pouvez introduire et retirer l'ensemble de pressage en entier et d'un seul coup.

## Récupération du jus

Si vous disposez d'une machine avec :

- Système PulpOut automatique (42+), la pulpe et les restes de pépins seront éliminés par le côté gauche de la machine.
- Robinet SS Up (44U), Robinet SS S +plus (44+) ou Robinet Tank (55), lisez les instructions concernant l'utilisation du Robinet SS dans la section Montage et démontage des composants selon le modèle.
- Remplissage automatique, la machine s'arrêtera automatiquement une fois arrivée au niveau maximum. N'oubliez pas de placer le Flotteur Tank/Cooler (52) dans son logement, en suivant les instructions d'assemblage. Vous pouvez également choisir le volume de remplissage.

## Zone dechets

Assurez-vous que les éléments qui recueillent les écorces d'oranges sont bien en place sur la machine.

Vérifiez régulièrement le niveau de remplissage des réservoirs pour éviter tout débordement des déchets.

Vous pouvez également utiliser la nouvelle fonctionnalité **Niveau déchets** qui vous permet de programmer une alarme pour que la machine s'arrête quand le bac à déchets est plein.

Vous pouvez sélectionner le nombre d'oranges pressées à partir duquel l'alarme se déclenche. Une fois pressée la quantité d'oranges programmée, la machine s'arrête et l'écran affiche un signal d'avertissement afin d'indiquer à l'utilisateur que le bac à déchets doit être vidé.

Si vous avez acheté une machine avec Podium, les écorces tomberont directement dans le Charriot à déchets (90.4) ou dans le Bac à déchets (100.3).

Pour arrêter l'alarme, appuyez sur le bouton **OK** pendant 2" jusqu'à ce qu'elle s'arrête d'elle-même.

#### Rappel!

"OK court", pas désactiver l'alarme.

"OK long", double "beep", désactive l'alarme.

Pour arrêter l'alarme en permanence, vous devez entrer dans la rubrique **Niveau déchets** du **MENU CLIENT**.

Si vous éteignez ou débranchez la machine, l'alarme "déchets" sera désactivée et remise à zéro.

### Mise en marche de la machine

#### Generalités

Sur tous les modèles, vous pouvez utiliser la machine en mode **Professionnel** ou **Automatique**. Pour passer d'un mode à l'autre, appuyez sur la touche **Mode** pendant quelques secondes. Chaque fois que vous passez du mode Automatique au mode Professionnel, la machine vous demandera de programmer le nombre d'oranges à presser. Si vous ne souhaitez pas modifier le nombre d'oranges, il suffit d'attendre quelques secondes ou d'appuyer rapidement sur la touche **OK**. Si vous souhaitez modifier le nombre d'oranges, appuyez sur les touches + - pour choisir la quantité puis appuyez sur la touche **OK** jusqu'à ce que le symbole **Enregistré** s'affiche.

### Modèle Speed Pro Basic

#### MODE AUTOMATIQUE


En mode automatique


 **START** Démarre la machine

 **STOP** Arrête la machine

Fonctionnement continu.

#### MODE PROFESSIONNEL

Nombre minimum d'oranges  1

Nombre maximum d'oranges  12

Valeur par défaut  3

Il fonctionne jusqu'à avoir atteint à la quantité enregistrée.

### Speed Pro, Speed Up, Speed S<sup>+plus</sup> Speed Up All-in-One, Speed S<sup>+plus</sup> All-in-One

La touche **START** n'est pas activée. Elle ne fonctionne qu'en mode **MANUEL**.

#### MODE AUTOMATIQUE

Commandé depuis le Robinet SS Up (44U)/  
Robinet SS S +Plus (44+).


Fonctionnement continu, tant que le  
robinet est ouvert (bouton poussoir appuyé).

#### MODE PROFESSIONNEL

Commandé depuis le robinet ouvert.

Nombre minimum d'oranges  1

Nombre maximum d'oranges  12

Valeur par défaut  3

#### MODE MANUEL (Si le robinet ne fonctionne pas)

En mode manuel, la touche **START** est activée.


En mode manuel il reste possible d'opérer en mode  
Automatique et en mode Professionnel depuis le clavier.


#### MANUEL "AUTOMATIQUE"

Fonctionnement continu.

#### MANUEL "PROFESSIONNEL"

Nombre minimum d'oranges  1

Nombre maximum d'oranges  12

Valeur par défaut  3

La touche **STOP** est toujours active.

### Robinet Self Service Up (44U), Robinet Self Service S<sup>+plus</sup> (44+).

**Vous avez acheté un robinet multifonction. Il permet d'obtenir du jus d'une manière discontinue ou continue sans avoir à appuyer sur le bouton poussoir.**

Voir les différents modes au point: Montage et démontage des composants selon le modèle Robinet SS Up (44U), Robinet SS S<sup>+plus</sup> (44+).

### Speed S<sup>+plus</sup> Tank Podium (90), Speed Pro Cooler Podium (100)

Toujours s'assurer que le Tank (53) ou le Réservoir (70.6) est placé aussi près que possible du capteur qui se trouve sur la base de la machine. Assurez-vous que le flotteur est en place dans le couvercle et bouge librement (**Fig. 5+ et 6**).

Si le Flotteur Tank/Cooler (52) n'est pas installé, la machine ne fonctionnera pas (**Fig. 16**).

#### MODE PROFESSIONNEL

La machine démarre dès que l'on appuie sur **START** et s'arrête dès que le Détecteur de niveau (56) ne trouve pas le Flotteur Tank/Cooler (52) ou atteint le volume enregistré. Lorsque le niveau redescend, la machine ne redémarre que si l'on appuie à nouveau sur **START**.

1

Il y a 3 volumes de remplissage différents, selon les besoins en jus.

2

#### MODE AUTOMATIQUE

Une fois l'appareil branché en début de journée, on appuie sur la touche **START** pour démarrer la machine.

1

La machine commence à effectuer l'opération de pressage jusqu'à ce que le réservoir soit rempli et que le Détecteur de niveau (56) ne trouve pas le Flotteur Tank/Cooler (52). À ce moment-là, la machine s'arrête.

2

Dès que le niveau de jus baisse à nouveau, la machine se remet en marche environ 15" après que le flotteur n'est plus détecté, et ainsi de suite en mode automatique.

3

Tant que personne n'appuie sur **STOP**, le dessin du réservoir plein ou à moitié plein s'affiche, ce qui indique que même si la machine est en mode automatique, elle est arrêtée en attente que l'on vide le réservoir, pour recommencer le processus de remplissage. En appuyant sur **STOP** le dessin disparaît, et la machine s'arrête.

4

#### MODE MANUEL (Si le capteur ne fonctionne pas)

Si le Détecteur de niveau (56) ne fonctionne pas, vous devez entrer dans le menu et activer le **MODE MANUEL**. Ce faisant, la machine pourra fonctionner parfaitement sans le détecteur jusqu'à ce qu'il soit réparé.

#### MANUEL "AUTOMATIQUE"

Fonctionnement continu.

1

#### MANUEL "PROFESSIONNEL"

Programmez le nombre d'oranges à presser. La machine s'arrête dès qu'elle atteint le nombre enregistré ou dès que l'on appuie sur la touche **STOP**.

2

**Rappel!** En mode manuel, vous devez surveiller le niveau de jus afin qu'il ne déborde pas, puisque la fonction de niveau est inactive.



## Speed Pro Cooler: Unite de refroidissement

Allumez le groupe refroidisseur en appuyant sur l'interrupteur qui se trouve sur la gauche de la sortie de jus du réservoir. Vous pouvez régler la température du jus en utilisant le régulateur situé à droite, tournez-le dans le sens des aiguilles d'une montre pour le refroidir et en sens contraire pour diminuer le niveau de refroidissement.

Actionnez la tirette du réservoir pour remplir un verre ou une cruche.

**!** **Important!** N'oubliez pas d'éteindre l'Ensemble refroidisseur (70) dès que vous éteignez la machine principale pour éviter une consommation inutile.

## Configuration

Votre presse-agrume Zumex **Speed** vous permet de régler les paramètres selon vos préférences.

Vous pouvez choisir et définir le mode de fonctionnement de votre machine à l'aide du dispositif électronique. Grâce à lui, vous pouvez contrôler les caractéristiques et les fonctions depuis les **MENUS** affichés.

Pour accéder au **MENU**, vous devez appuyer sur les boutons **STOP** et **MODE** au moins pendant 2" et entrer le code PIN par défaut (0000). Puis appuyez sur la touche **OK** au moins 2 secondes pour confirmer le Pin.

Depuis le MENU, vous pouvez configurer :

**LANGUE:** Vous pouvez choisir l'une des 23 langues disponibles.

**PIN:** Afficher ou modifier le PIN actuel afin que personne ne puisse modifier les paramètres de la machine.

**COMPTEUR:** Voir le compteur total ou partiel de la machine. Réinitialiser le compteur partiel affiché sur l'écran principal. Pour remettre à zéro le compteur de la machine, appuyez sur les touches **STOP+START** pendant 3" jusqu'à ce que le compteur affiche 0000000.

**CREDIT** vers le haut ou vers le bas: vous pouvez programmer le crédit de la machine de sorte que la machine peut être arrêtée afin d'atteindre la limite de crédit, ou jusqu'à ce que vous reprogrammer le montant.

**VERROUILLAGE DU MODE:** Vous pouvez faire fonctionner la machine uniquement en mode Automatique, Professionnel et même fixer le nombre d'oranges ou le volume à presser de manière à ce que seul ce volume soit pressé.

**MODE MANUEL (Mode de secours):** Sur les modèles de machine présentant un robinet/tirette ou un capteur de fonctionnement auxiliaire, ce dernier peut être annulé en choisissant le mode **MANUEL**. [Modèle Self Service: Robinet SS Up (44U). Modèle Tank et Cooler: Détecteur de niveau (56)].

**NIVEAU DECHETS:** Vous pouvez activer une alarme afin que la machine s'arrête quand la quantité d'oranges sélectionnée a été pressée. Vous savez ainsi quand vider le bac à déchets.

**SYSTÈME PULPOUT:** Vous pouvez activer le Système PulpOut pour éliminer automatiquement la pulpe et les pépins. Vous pouvez choisir entre le mode d'utilisation continu ou discontinu.

Le **mode continu** élimine la pulpe pendant tout le temps de pressage. Il permet d'allonger l'autonomie du système et, par conséquent, le temps d'utilisation avant le nettoyage.

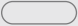



Le **mode discontinu** permet de prolonger le temps de filtration de la pulpe. Vous pouvez choisir la fréquence d'activation du système, selon le type d'agrume utilisé et la quantité de pulpe. Une fréquence rapide activera le système par intervalles de temps inférieurs.

De cette façon, la bande transporteuse se mettra en marche, en fonction du programme choisi, après les cycles de pressage suivants :



Vous pouvez également activer la fonction « Nettoyage automatique » qui permet de nettoyer automatiquement la bande transporteuse après le dernier pressage. En mode discontinu, la fonction « Nettoyage automatique » s'active 30 secondes après le dernier pressage.

Voici quelques exemples de représentation sur l'affichage numérique :

-  Mode continu
-  Mode discontinu vitesse intermédiaire
-  Mode continu avec fonction « Nettoyage automatique »
-  Mode discontinu vitesse rapide avec fonction « Nettoyage automatique »

**ETALONNAGE:** Vous pouvez effectuer un étalonnage de la machine pour régler le comptage de la machine à tout moment.

**ETAT DE LA MACHINE:** Vous pouvez détecter et corriger diverses pannes qui ont pu causer un arrêt de la machine.

**CONTRASTE:** Vous pouvez régler l'intensité de la luminosité de l'écran.

**Rappel!** Dans le MENU CLIENT :

“Appuyez sur OK” pour baisser le niveau.

“Appuyez sur OK Durant au moins 2 secondes” pour augmenter le niveau.

“Appuyez sur OK Durant au moins 2 secondes” pour enregistrer des données (l'icône enregistré s'affiche).

Pour quitter le MENU CLIENT, vous devez repasser par la même arborescence.

## Diagramme de menus

### Menu principal



1	<b>LANGUE.</b> Choisir la langue de fonctionnement de la machine.	<b>PULPOUT :</b> Sélectionner le mode de fonctionnement du Système PulpOut Automatique.	6
2	<b>PIN.</b> Afficher ou modifier le code PIN.	<b>ETALONNAGE.</b> Effectuer un étalonnage de la machine pour un comptage correct.	7
3	<b>COMPTEUR.</b> Afficher le compteur total ou partiel de la machine.	<b>ETAT.</b> Accès à diverses pannes qui pourraient avoir causé un arrêt de la machine.	8
4	<b>MODE.</b> Choisir le mode de travail : Automatique ou Professionnel.	<b>CONTRASTE.</b> Régler l'intensité de la luminosité de l'écran.	9
5	<b>NIVEAU DÉCHETS.</b> Activer un signal d'avertissement afin de savoir quand vider le bac à déchets.		

## Nettoyage

Zumex recommande de nettoyer la machine au moins 1 à 2 fois par jour, en fonction de son utilisation, afin de préserver les conditions d'hygiène alimentaire.

Zumex recommande d'employer le détergent **Zumex Citric Active™** spécialement conçu pour le nettoyage des presse-agrumes, doté d'un grand pouvoir désincrustant pour la cire et la pulpe.

**Pour réaliser un nettoyage correct, vous devrez suivre les étapes suivantes :**

- A** Toutes les pièces en plastique peuvent être lavées au lave-vaisselle, excepté le Réservoir à jus Speed Pro Cooler (70.6).
- B** Pour éviter une oxydation prématurée de l'acier inoxydable, il n'est pas recommandé de laver au lave-vaisselle les (44U) Robinet SS Up et (44+) Robinet SS S +plus.

### Tous les modèles

- 1** Débranchez la machine du secteur.
- 2** Pour le montage et démontage, consultez le paragraphe correspondant à chaque composant dans la section *Montage et démontage des composants selon le modèle*.
- 3** Démontez les Sorties latérales.
- 4** Démontez le capot.
- 5** Montage et démontage des composants selon le modèle.

### Speed Pro Basic, Speed Up, Speed Up All-in-One, Speed Cooler Podium

- 6** Démontez le porte-lames en tirant la poignée vers vous.
- !** **IMPORTANT!** Manipulez cette pièce avec beaucoup de précaution car vous risquez de vous couper.
- 7** Retirez les extracteurs d'écorce de leurs supports (**Fig. 1**).
- 8** Démontez les tambours de pressage par paires, en dévissant au préalable les écrous papillons qui les maintiennent (**Fig. 1**).
- 9** Démontez les bacs et filtres à jus, selon le modèle voir le Schéma correspondant, dans la section *Déballage et mise en marche*.

### Speed S +plus, Speed S +plus All-in-One, Speed S +plus Tank All-in-One

- 6\*** Démontez le (19+) Kit 1Step de la machine.
  - Il est possible de réaliser deux types de nettoyage :
    - **Nettoyage du kit complet :** une fois le kit retiré de la machine, éliminez les restes éventuels de pulpe et d'écorce en le lavant à l'eau, et, au besoin, avec du savon doux. Il est également possible de le laver entièrement et sans le démonter au lave-vaisselle.
    - **Nettoyage en profondeur :** tous les composants sont démontables individuellement pour un nettoyage plus exhaustif des pièces. Zumex recommande un nettoyage en profondeur du kit d'extraction au moins une fois par semaine, selon l'utilisation de la machine.
- 7\*** Démontez le Porte-lames S +plus (9+) et procédez à son nettoyage en faisant attention à ne pas vous couper.
- 8\*** Démontez le Système PulpOut automatique (42+).
- 9\*** Pour un nettoyage efficace de tous les éléments de l'ensemble, ceux-ci doivent être démontés et lavés individuellement. Ils peuvent être lavés à la main ou au lave-vaisselle.

### Considérations

- C** Nettoyage des éléments non démontables : utilisez une éponge avec de l'eau tiède et du savon puis rincez.
- D** Rappelez-vous que certaines pièces se ressemblent mais se montent à différents endroits.
- E** Pièces transparentes et lave-vaisselle : il est possible de laver ces pièces au lave-vaisselle mais vous devez veiller à utiliser du savon, du sel et du liquide de rinçage qui ne fassent pas perdre aux pièces leur brillance et leur transparence.
- F** Sur les modèles avec robinet : Dévissez le robinet du bac, puis séparez le bouton pressoir du corps pour un nettoyage homogène. Veillez à démonter les robinets pour les nettoyer en profondeur tel qu'indiqué aux paragraphes : Robinet SS Up (44U), Robinet SS S +plus (44+), Robinet Tank (55), section *Montage et démontage des composants selon le modèle*.
- G** Sur les modèles avec Drain & Clean System, Zumex recommande un nettoyage intérieur du tube, en introduisant la brosse (**Fig. 7.1**) dans l'ouverture du chargeur au moins une fois par semaine. Ce processus évitera de possibles encombrements de la zone.
- H** Chargeur : Que votre modèle dispose du système Drain & Clean ou non, il convient de démonter le plateau tournant du chargeur pour éliminer complètement la cire et les restes de saleté.
- I** Pour le nettoyage des parties difficiles d'accès, nous vous recommandons d'utiliser la propre brosse (**Fig. 1**) de la machine.



## Accessoires

Vous trouverez une large gamme d'accessoires qui vous permettront de configurer votre presse-agrumes selon vos besoins :

### Kit 1Step

Avec cet accessoire, vous pourrez démonter le groupe de pressage en seulement 10 secondes et laisser votre machine prête pour continuer de fonctionner avec l'autre kit.

\*Accessoire disponible pour tous les modèles Speed S +plus. Contient l'ensemble de pressage.

### Housse virage M

Empêche l'accès aux fruits qui se trouvent à l'intérieur du virage du système d'alimentation M afin d'éviter tout contact avec des agents extérieurs.

### Housse virage L

Empêche l'accès aux fruits qui se trouvent à l'intérieur du virage du système d'alimentation L afin d'éviter tout contact avec des agents extérieurs.

### Plateau 2 positions

Accessoire disponible pour les podiums Black permettant de servir le jus en verre ou en bouteille.

### Grille de fermeture de panier

Accessoire qui ferme le panier contenant les oranges pour en empêcher l'accès.

### Kit Pulp Cover

Pièce qui couvre la balayeuse pour éviter de voir la pulpe ainsi que les éventuelles éclaboussures.

### Kit S / Kit 1Step S

Pour presser des fruits à partir de 45 mm et jusqu'à 67 mm de diamètre.

### Kit L / Kit 1Step L

Pour presser des fruits à partir de 75 mm et jusqu'à 95 mm de diamètre.

### Système DCS

Pour presser des agrumes immatures ou très mûrs.

### Meuble Display

Pour que vos bouteilles de jus fraîchement pressé restent toujours fraîches et prêtes à emporter. Disponible en deux formats.

### Kit Comptoir

Intègre la gestion des déchets en comptoir de la façon la plus pratique et hygiénique.

### Range-bouteilles

Pour des espaces de libre-service, permet d'organiser les bouteilles, carafe ou verres. Inclut trois plateaux (avec 4 hauteurs). Intégré au podium et permet de transporter tout l'ensemble facilement.

### Pack Zumex



Des bouteilles qui permettent de conditionner les boissons fraîches en vue de leur commercialisation, notamment le jus d'orange fraîchement pressé. Disponibles en 6 formats (1,5 l, 1 l, 75 cl, 50 cl, 33 cl et 25 cl) et autocollants personnalisables inclus.

Consultez le site web de Zumex [www.zumex.com](http://www.zumex.com) pour obtenir des informations sur les accessoires compatibles avec votre machine.



## Détection des pannes et conseils

Pour supprimer une erreur, appuyez brièvement sur la touche "OK" et vérifiez que l'origine de l'erreur est corrigée, conformément à ce qui est indiqué dans le tableau ci-dessous.

ERREUR 	CAUSE POSSIBLE 	ACTION 
<b>01 Couvercle</b>	La Sécurité du capot n'est pas détectée	Vérifier que le capot est bien en place Vérifier que la sortie latérale est bien en place Vérifier que l'aimant est bien en place Vérifiez que les câbles sont branchés Vérifier le détecteur de capot
<b>02 Bac</b>	Le bac n'est pas détecté	Vérifier que le bac est bien en place Vérifier le branchement des câbles Vérifier le détecteur bac
<b>03 Puissance Moteur</b>	Le moteur ne fonctionne pas à la bonne tension	Vérifier la tension du secteur Vérifiez la carte électronique
<b>04 Interruption</b>	Panne de courant	Vérifiez le câble de tension d'alimentation Vérifier le câblage intérieur
<b>05 Surintensité</b>	Le moteur est en surconsommation	Vérifier s'il n'y a pas des blocages dans le système de pressage Vérifier la dureté du fruit Vérifier le moteur Vérifier le refroidissement
<b>06 Sans Flotteur</b>	Le flotteur n'est pas détecté	Replacer le flotteur Replacer le réservoir Vérifiez le câblage Vérifier le détecteur
<b>07 Credit</b>	La limite maximale du compteur est atteinte	Supprimer la limite du compteur Reprogrammer la limite du compteur
<b>08 Niveau Dechets</b>	La limite maximale du compteur est atteinte	Faites un appui long sur OK jusqu'à ce que vous entendiez un double "beep".



[zumex.com](https://www.zumex.com)





ZUMEX PRÄSENTIERT

## Die Erweiterung seiner schnellsten und robustesten Serie

Speed Pro, Speed Up und Speed S +plus wurden für die Herstellung großer Mengen Saft entwickelt. Die neuen Modelle sind effektiver, sicherer und zuverlässiger für Restaurants, Cafeterien und Supermärkte als je zuvor.

Erfahren Sie, wie benutzerfreundlich und leicht zu reinigen sie sind.

**Die vorliegende Bedienungsanleitung bezieht sich auf die Modelle Speed Pro, Speed Up und Speed S +plus.**



Registrieren Sie  
Ihr produkt hier

## Speed

Bedienungsanleitung. Original-Anweisungen.

Diese Bedienungsanleitung enthält sämtliche Informationen, die für den Aufbau und die Inbetriebnahme Ihres neuen Entsafters der Serie Speed Pro, Speed Up oder Speed S +plus notwendig sind sowie Informationen über Funktionsweise, Eigenschaften, Zubehör, Ratschläge und Vorsichtsmaßnahmen der Maschine.

**Lesen Sie die Anweisungen bitte aufmerksam, um eine optimale Leistung Ihres Gerätes sicherzustellen.**

## INHALTSVERZEICHNIS

- 3 ANHANG
- 152 ALLGEMEINE WICHTIGE HINWEISE
- 156 TECHNISCHE EIGENSCHAFTEN
- 157 BEDIENUNGSANLEITUNG
  - 157 VORBEREITUNG
  - 157 ENTFERNUNG DER VERPACKUNG UND INBETRIEBNAHME
  - 160 EIN- UND AUSBAU DER EINZELNEN ELEMENTE JE NACH MODELL
  - 172 ALLGEMEINE FUNKTIONSWEISE
  - 178 KONFIGURATION
  - 182 REINIGUNG
  - 184 ZUBEHÖR
- 186 FEHLERSUCHE UND PRAKTISCHE TIPPS
- 226 EU-KONFORMITÄTSERKLÄRUNG

Zumex behält sich das Recht vor, die in dieser Bedienungsanleitung enthaltenen Informationen jederzeit ohne Vorankündigung zu ändern.



## Allgemeine wichtige hinweise

Die vorliegende Bedienungsanleitung bezieht sich auf die folgenden Modelle von Zumex

Modelle Speed Pro	Zumex Speed Pro Basic
	Zumex Speed Pro Cooler Podium
Modelle Speed Up	Zumex Speed Up
	Zumex Speed Up All-in-One Wide Black
	Zumex Speed Up All-in-One Narrow Black
	Zumex Speed Up All-in-One Wide Mirror
	Zumex Speed Up All-in-One Narrow Mirror
Modelle Speed S +plus	Zumex Speed S +plus
	Zumex Speed S +plus All-in-One Wide Black
	Zumex Speed S +plus All-in-One Narrow Black
	Zumex Speed S +plus All-in-One Wide Mirror
	Zumex Speed S +plus All-in-One Narrow Mirror
	Zumex Speed S +plus Tank All-in-One

Als erstes empfehlen wir Ihnen, die folgenden Vorsichtsmaßnahmen zu beachten:

- Die spezifischen Daten Ihrer Zumex Saftpresse (Spannung, Frequenz und weitere wichtige Angaben) finden Sie auf dem Identifikationsetikett an der Maschine selbst.
  - Bitte wenden Sie sich bei allen technischen Fragen an Ihren Vertriebs Händler / Offiziellen Kundendienst und geben Sie dabei immer die Seriennummer laut Identifikationsetikett an der Maschine an.
  - Zumex ergreift die erforderlichen Maßnahmen, damit die auf dem Markt befindlichen Maschinen eine selektive Rücknahme und korrekte umweltbewusste Entsorgung erfahren. Für eine korrekte Entsorgung der Maschinen wenden Sie sich bitte an Ihren Zumex Vertriebs Händler.
- Nehmen Sie keine Eingriffe an der Maschine vor, um sie ohne Sicherheitselemente in Betrieb zu nehmen.**
- Dieses Gerät darf von Kindern ab 8 Jahren bedient werden. Personen mit eingeschränkten physischen, sensorischen oder mentalen Fähigkeiten oder mangelnder Erfahrung und fehlenden Kenntnissen dürfen dieses Gerät nur unter Aufsicht bedienen, oder erst nachdem eine sachdienliche Einweisung in die sichere Gerätebedienung unter verständlicher Erklärung der damit verbundenen Risiken erfolgt ist.
  - Kinder sind zu beaufsichtigen, damit sie das Gerät nicht als Spielzeug verwenden.
  - Reinigungs- und Wartungsmaßnahmen durch den Verwender dürfen nicht von Kindern ohne Aufsicht vorgenommen werden.

• Das Gerät ist auf der Rückseite mit einer Äquipotential-Klemme für den Erdungsanschluss anderer Geräte an die Erdung der Anlage über diese Klemme ausgestattet. Sollte diese benötigt werden, lösen Sie Muttern und Scheiben, schließen Sie das Erdungskabel des Nebengerätes an und ziehen Sie die Muttern und Scheiben wieder gut fest. Dieser Potentialausgleich ist mit dem folgenden Symbol gekennzeichnet:



- Das Gerät darf nicht mit Wasserstrahl gereinigt werden.
- **Dieses Gerät ist für die Entsaftung von Zitrusfrüchten in der angegebenen Größe ausgelegt:** Orangen, Mandarinen, Limetten, Grapefruit.
- Verwenden Sie keine anderen Früchte als die in der Anleitung genannten Früchte.
- Achten Sie darauf, dass bei Reinigung, Wartung oder Austausch von Teilen der Stecker des Netzkabels gut sichtbar vom Netzanschluss getrennt ist.
- Gehen Sie zur Vermeidung von Schnittverletzungen mit den Schneidelementen besonders vorsichtig um.
- Die Teile, die mit Nahrungsmitteln in Berührung kommen, sind nach den Anweisungen im Abschnitt Reinigung zu säubern.

- Bei Beschädigung des Netzkabels ist dieses durch ein vom Hersteller oder dem Kundendienst geliefertes Kabel oder einen speziellen Kabelsatz zu ersetzen.
- Das Gerät wird mit einem Kabelschutz hergestellt/ausgestattet, um das versehentliche Herausziehen des Kabels zu verhindern. Bitte stellen Sie sicher, dass dieser Schutz wie unten in der Anleitung angegeben angebracht ist, um die Sicherheit des Geräts zu gewährleisten.

Die Bedienungsanleitung kann aktualisiert werden. Sie können die aktualisierte Anleitung auf unserer Website [www.zumex.com](http://www.zumex.com) im Abschnitt zum jeweiligen Modell einsehen.

**Für Anregungen oder Kommentare zur Verbesserung unserer Maschinen oder unseres Servicenetzes wenden Sie sich bitte direkt an Zumex unter der folgenden Anschrift:**

 **ZUMEX GROUP, S.A.**

Polígono Ind. Moncada III C/Molí 2. 46113 Moncada. Valencia. Spanien.

Tel. +34 961 301 251 · Fax: +34 961 301 255

zumex@zumex.com / [www.zumex.com](http://www.zumex.com)

**ZUMEX SERVICE**

Tel. +34 960 800 999 · [service@zumex.com](mailto:service@zumex.com)



## Technische Eigenschaften

Modell	Gewicht		Abmessungen   Breite x Tiefe x Höhe		
Speed Pro Basic	66.3 Kg	146.1 lb	593 x 584 x 980 mm	23.3" x 23" x 38.6"	
Speed Pro Cooler Podium	116.1 Kg	259.6 lb	675 x 727 x 1837 mm	26.6" x 28.7" x 72.3"	
Speed Up	76.7 Kg	169.2 lb	593 x 624 x 1050 mm	23.3" x 24.6" x 41.3"	
Speed Up All-in-One Wide Black	133 Kg	293.3 lb	810 x 682 x 1775 mm	31.9" x 26.8" x 69.9"	
Speed Up All-in-One Narrow Black	129.1 Kg	284.7 lb	710 x 682 x 1775 mm	28" x 26.8" x 69.9"	
Speed Up All-in-One Wide Mirror	122.1 Kg	269.3 lb	805 x 709 x 1774 mm	31.7" x 27.9" x 69.8"	
Speed Up All-in-One Narrow Mirror	113.3 Kg	249.8 lb	700 x 709 x 1774 mm	27.5" x 27.9" x 69.8"	
Speed S +plus	83.5 Kg	184.1 lb	593 x 665 x 1050 mm	23.3" x 26.2" x 41.3"	
Speed S +plus All-in-One Wide Black	131.5 Kg	290 lb	810 x 682 x 1775 mm	31.9" x 26.8" x 69.9"	
Speed S +plus All-in-One Narrow Black	127.6 Kg	281.4 lb	710 x 682 x 1775 mm	28" x 26.8" x 69.9"	
Speed S +plus All-in-One Wide Mirror	120.6 Kg	266 lb	805 x 709 x 1774 mm	31.7" x 27.9" x 69.8"	
Speed S +plus All-in-One Narrow Mirror	111.8 Kg	246.5 lb	700 x 709 x 1774 mm	27.5" x 27.9" x 69.8"	
Speed S +plus Tank All-in-One	110.1 Kg	242.8 lb	675 x 699 x 1755 mm	26.6" x 26.3" x 69.1"	

### WEITERE EIGENSCHAFTEN (für alle Modelle)

Spannung	100 V   50-60 Hz	120 V   60 Hz	220-240 V   50-60Hz
Leistung	350 W (560 W Cooler)	320 W (560 W Cooler)	460 W (560 W Cooler)
Verbrauch	3.5 A (4.87 A Cooler)	2.7 A (4.87 A Cooler)	2 A (2.4 A Cooler)
Orangen pro Minute	36/43	40	37/40
Früchte*	Orangen, Mandarinen, Limetten, Grapefruit		
Größe der Früchte	65-81 mm (45-67 mm mit Kit S)		
Kapazität Zuführung	20 kg / 44 lb		
Schutz	IPX4		
Schalldruckpegel	Untere 70 dB(A)		

\* Für andere Früchte gequetscht überprüfen Sie immer mit Ihren nächstgelegenen Händler.

## Bedienungsanleitung

### Vorbereitung

Bevor Sie mit der Safterstellung beginnen, sind die folgenden Schritte vorzunehmen:

- 1 Entfernen Sie das Verpackungsmaterial und stellen Sie die Saftpresse auf eine möglichst ebene Fläche.
  - 2 Vergewissern Sie sich, dass die Netzspannung mit der Spannung laut Identifikationsetikett an der Maschine übereinstimmt. Dieses Etikett befindet an der Maschine selbst.
  - 3 Stellen Sie sicher, dass keine Gegenstände den Auspackvorgang behindern.
- ! Vor dem ersten Gebrauch empfehlen wir, das Entsaftungssystem zu reinigen. Siehe Abschnitt "Reinigung".

### Entfernung der Verpackung und Inbetriebnahme der Maschine

Gehen Sie nach den Anweisungen für das jeweilige, von Ihnen erworbene Modell vor. Die folgenden Einzelteile können lose sein und müssen in diesem Fall befestigt werden:

#### Speed Pro Basic

Seitliche Ausgangsöffnung Abdeckung rechts (2), Seitliche Ausgangsöffnung Abdeckung links (3), Anschlusskabel (15), Kabelschutz (16), Saftbehälter Kunststoff (30), Innenfilter Kunststoff (31), Saftfilter Kunststoff (32), Schalenbehälter (33), Tropfauffangschale (34).

Siehe Abbildung 1 und 2.

#### Speed Pro Cooler Podium

Seitliche Ausgangsöffnung Abdeckung rechts (2), Seitliche Ausgangsöffnung Abdeckung links (3), Anschlusskabel (15), Kabelschutz (16), Saftbehälter Kunststoff (30), Innenfilter Kunststoff (31), Saftfilter Kunststoff (32), Kühleinheit (70), Schwimmer Tank/Cooler (52).

Siehe Abbildung 1 und 6. Siehe Abschnitt Podium Cooler (100) para für Informationen zum Unterschrank Ihrer Maschine.



### Speed Up

Seitliche Ausgangsöffnung Abdeckung rechts (2), Seitliche Ausgangsöffnung Abdeckung links S +plus (3+), Anschlusskabel (15), Kabelschutz (16), Saftbehälter SS (40), Unterfilter SS (41), Automatisches PulpOut-System (42+), SB-Hahn SS Up (44U).

Siehe Abbildung 1 und 3U.

### Speed Up All-in-One

Seitliche Ausgangsöffnung Abdeckung rechts (2), Seitliche Ausgangsöffnung Abdeckung links S +plus (3+), Anschlusskabel (15), Kabelschutz (16), Saftbehälter SS (40), Unterfilter SS (41), Automatisches PulpOut-System (42+), SB-Hahn SS Up (44U).

Siehe Abbildung 1 und 4U. Siehe Abschnitt Podium Mirror und Podium Narrow (90) für Informationen zum Unterschrank Ihrer Maschine.

### Speed S <sup>+plus</sup>

Seitliche Ausgangsöffnung Abdeckung rechts (2), Seitliche Ausgangsöffnung Abdeckung links S +plus (3+), Anschlusskabel (15), Kabelschutz (16), Schalenbehälter (33), Tropfauffangschale (34), Saftbehälter SS (40), Unterfilter SS (41), Automatisches PulpOut-System (42+), SB-Hahn SS S +plus (44+), Ergänzungsteil maschine (47).

Siehe Abbildung 1+ und 3+.

### Speed S <sup>+plus</sup> All-in-One

Seitliche Ausgangsöffnung Abdeckung rechts (2), Seitliche Ausgangsöffnung Abdeckung links S +plus (3+), Anschlusskabel (15), Kabelschutz (16), Saftbehälter SS (40), Unterfilter SS (41), Automatisches PulpOut-System (42+), SB-Hahn SS S +plus (44+).

Siehe Abbildung 1+ und 4+. Siehe Abschnitt Podium Speed S +plus All-in-One (90+) für Informationen zum Unterschrank Ihrer Maschine.

### Speed S <sup>+plus</sup> Tank All-in-One

Seitliche Ausgangsöffnung Abdeckung rechts (2), Seitliche Ausgangsöffnung Abdeckung links S +plus (3+), Anschlusskabel (15), Kabelschutz (16), Automatisches PulpOut-System (42+), Saftbehälter Tank (50), Unterfilter Tank (51), Schwimmer Tank/Cooler (52), Tank (53), Rührelement (54), Hahn Tank (55).

Siehe Abbildung 1+ und 5+. Siehe Abschnitt Podium Speed S +plus Tank All-in-One (90) para für Informationen zum Unterschrank Ihrer Maschine.

### Einheit Drain&Clean System (80)

Falls Sie ein Podium-Modell erworben haben, verfügt Ihr Gerät über ein Drain&Clean-System. Das System funktioniert mittels eines Ablaufs vom Fruchtbehälter in den Abfallbehälter im Inneren des Geräts, wodurch die Reinigung und Beseitigung von Rückständen erleichtert werden.

Siehe Abbildung 7.1 und 7.2

### Podium Tank S <sup>+plus</sup> All-in-One (90), Podium Black All-in-One (90+), Podium Mirror All-in-One (90+), Podium Cooler (100)

Im Inneren des Unterschanks befinden sich alle Bestandteile des Unterschanks.

## Ein- und Ausbau der Einzelnen Elemente je nach Modell

### Seitliche Ausgangsöffnung Abdeckung rechts (2), seitliche Ausgangsöffnung Abdeckung links (3), seitliche Ausgangsöffnung Abdeckung links S<sup>+plus</sup> (3+)

Die seitlichen Ausgangsöffnungen sind nicht identisch. Achten Sie darauf, dass Sie die entsprechende seitliche Ausgangsöffnung auf der richtigen Seite platzieren.

#### Montage der Ausgangsöffnungen (Abb. 10).

Richten Sie die seitliche Ausgangsöffnung nach unten und heben Sie das Oberteil an, wobei Sie die den Drehknopf mit einer 90°-Drehung verriegeln.

Montieren Sie die rechte Ausgangsöffnung, indem Sie die Verriegelung im Uhrzeigersinn drehen.

Montieren Sie die linke Ausgangsöffnung, indem Sie die Verriegelung gegen den Uhrzeigersinn drehen.

**!** **Wichtig!** Auf dem Teil angebrachte Symbole zeigen die Drehrichtung an. Drehen Sie die Lasche nicht gewaltsam in die andere Richtung.

Stellen Sie sicher, dass die seitlichen Ausgangsöffnungen vollständig montiert und korrekt positioniert sind.

#### Demontage der Ausgangsöffnungen (Abb. 10)

Entfernen Sie die rechte Ausgangsöffnung, indem Sie die Verriegelung gegen den Uhrzeigersinn in die senkrechte Position drehen.

Entfernen Sie die linke Ausgangsöffnung, indem Sie die Verriegelung im Uhrzeigersinn in die senkrechte Position drehen.

### Abdeckung (1)

#### Montage der Abdeckung (Abb. 10,1)

Prüfen Sie, ob die Drehknöpfe an den Maschinenachsen senkrecht zum Boden gedreht sind (offen)

Halten Sie den Abdeckungskörper an den Aussparungen in den Ausgangsöffnungen fest, bringen Sie die Stiftlöcher mit den Drehknöpfen in Übereinstimmung und drücken Sie nach innen, bis sie vollständig eingesetzt sind. Drehen Sie die Drehknöpfe um 90° im Uhrzeigersinn, um die Abdeckung zu befestigen.

**!** **Wichtig!** Vermeiden Sie es, die Abdeckung gewaltsam zu montieren, wenn die Zapfen nicht perfekt ausgerichtet sind, da dies zu Schäden am Teil führen kann.

#### Demontage der Abdeckung (Abb. 10,1)

Drehen Sie die Drehknöpfe um 90°, bis sie mit den Stiftlöchern in der Abdeckung ausgerichtet sind.

Entfernen Sie die Abdeckung mit einer horizontalen Bewegung und halten Sie sie dabei mit beiden Händen an den Aussparungen für die Ausgangsöffnungen fest.

**!** **Wichtig!** Vermeiden Sie es, die Abdeckung gewaltsam zu montieren, wenn die Zapfen nicht perfekt ausgerichtet sind, da dies zu Schäden am Teil führen kann.

### Trommeleinsatz Kunststoff (4), Trommelgehäuse Kunststoff (5)

Bringen Sie die Trommeln an den Achsen an (Abb. 1).

Wenn Sie sich für ein Modell Speed S +plus entschieden haben, lesen Sie bitte den Abschnitt *Presswerk-modul 1Step (19+)*. Bringen Sie stets Trommelgehäuse und Trommeleinsatz gleichzeitig an einer Seite an, um das Einrasten zu erleichtern.

### Sicherheitsschraube Spritzgusskunststoff (6)

Drehen Sie zur Befestigung der Trommeln und des Zuführtellere die Sicherheitsschrauben fest (Abb. 1). Wenn Sie sich für ein Modell Speed S +plus entschieden haben, lesen Sie bitte den Abschnitt *Presswerk-modul 1Step (19+)*.

### Entsafterkeil links (7), Entsafterkeil rechts (8)

#### Montage der Keile (Abb. 21).

Platzieren Sie die Keile auf der entsprechenden Seite in den Drehknöpfen. Schieben Sie den Keil, bis die Schaufel vollständig in das obere Trommelelement eingeführt ist und der Kanal des Teils am zweiten Drehknopf anschlägt.

**Wichtig!** Wenn der Keil nicht wie oben angegeben korrekt eingesetzt wird, kann es während des Betriebs der Maschine zu Schäden am Bauteil kommen.

Wenn Sie sich für ein Modell Speed S +plus entschieden haben, lesen Sie bitte den Abschnitt *Kit 1Step (19+)*.



### ! Demontage der Keile (Abb. 21)

Ziehen Sie den Keil heraus, bis er vollständig gelöst ist.

**Wichtig!** Entfernen Sie zuerst die Keile, bevor Sie andere Teile der Entsaftereinheit abbauen.

### Messerhalter (9)

Messer vorsichtig auf die vorgesehene Führung legen und nach innen drücken (Abb. 1).

### Messerhalter S <sup>plus</sup> (9+)

Messer vorsichtig auf die vorgesehene Führung legen und nach innen drücken (Abb. 1+).

### Zuführungskorb (13)

Der Zuführungskorb lässt sich herausnehmen und erneut einlegen. Dazu auf die Führungen legen und die Bewegung bis zum Ausschlag ausführen (Abb. 1).

### Tür Zuführungskorb (14)

Der Zuführungskorb verfügt über eine leicht zu öffnende Tür, um den Korb einfach mit Orangen befüllen zu können (Abb. 1).

### Anschlusskabel (15)

Stellen sie sicher, dass das Netzkabel mit der Maschine verbunden und mit der Kabelhalterung geschützt ist (Abb. 1).

### Kabelschutz mit 3 Schrauben (16)

Die Kabelhalterung befestigt das Kabel mit drei Schrauben an der Maschine (Abb. 1).

### Dichtung Behälter Self Service/Tank 6.3x3.5 (17)

Diese Dichtung ist mit Kleber befestigt. Denken Sie daran, bei einem Austausch die neue Dichtung wieder zu verkleben (Abb. 1).

### Bolzen Behälter (18)

Dieses Element muss nur entfernt werden, wenn ein Saftbehälter SS (40) oder Saftbehälter Tank (50) als Ersatzteil benötigt wird (Abbildung 1). Nach dem Einbringen des Ersatzteils den Bolzen von hinten aus betätigen, um die Position des Behälters zu regulieren.

### Schnell-ReinigungsKit 1Step (19+)

Diese Einheit ermöglicht es, die Trommelteile und die Schnell-ReinigungsKit in einem einzigen Schritt herauszuziehen und einzusetzen (Abb. 1+).

Denken Sie daran, vorher den Messerhalter S +plus (9+) einzusetzen.

Gleichen Sie die Trommeln mit den Achsen ab und justieren Sie ihre Position, während sie sie vollständig einrasten lassen. Verwenden Sie die mittlere Schraube, um die Gruppe am Gerät festzuschrauben.

**Hinweis:** Gehen Sie bei der Demontage in der umgekehrten Reihenfolge vor.

### Montage der Einheit Kit 1Step (19+)

a) Legen Sie die hintere Halterung (19.2+) auf eine Unterlage. Die Metallhalter der Keile müssen mit der Oberseite nach unten liegen.

b) Setzen Sie das obere und das untere Trommelement zusammen (4 und 5). Setzen Sie die runden Unterteile der Trommeln in die Löcher der Halterung ein. Beachten Sie, dass die Stirnseiten der Trommeln unterschiedlich sind.

Vergewissern Sie sich, dass Sie sie wie auf der Abbildung dargestellt einbauen.

d) Setzen Sie die aus den Press-Trommeleinsätzen herausragenden Kegel in die vier runden Buchsen der vorderen Halterung (19.1+) ein.

e) Verbinden Sie beide Halterungen mit dem Kunststoffrad (6).

c) Drehen Sie die Einheit kit 1step um 180° und setzen Sie die Keile (7 und 8) auf die Keilhalter, indem Sie die Extraktionsschaufel in die Dichtung des oberen Trommelements einführen. Achten Sie darauf, dass sich beide Halterungen wie in Abbildung 4 dargestellt innerhalb des Keilkanals befinden.

### Demontage der Einheit Kit 1Step (19+)

c) Entfernen Sie in der Position von Bild 4 die Keile (7 und 8), indem Sie sie seitlich aus den Metallhalterungen herausziehen.

a) Drehen Sie die Einheit um 180° und schrauben Sie das Kunststoffrad (6) ab, das sich hinter den Trommeln befindet und die beiden Metallstützen (19.1+ und 19.2+) festhält.



- b) Ziehen Sie den vorderen Halter vorsichtig heraus (19.1+).
- c) Trennen Sie die Trommeleinsätze (4) und (5).

**Anmerkung:** Zur Reinigung der Einheit lesen Sie bitte die Hinweise im Abschnitt Reinigung.

#### Saftbehälter Kunststoff (30)

Vergewissern Sie sich, dass die Dichtung korrekt am Behälter montiert ist (**Abb. 11**). Positionieren Sie anschließend den Behälter in der Maschine. Setzen Sie den Behälter nach unten auf den 4 an der Maschine dafür vorgesehenen Nasen an (**Abb. 2**).

#### Innenfilter Kunststoff (31)

Legen Sie den Innenfilter in den Pressbehälter ein (**Abb. 2**).

#### Saftfilter kunststoff (32)

Legen Sie den Innenfilter in den Pressbehälter ein (**Abb. 2**).

#### Schalenbehälter (33)

Bringen Sie die Schalenbehälter unter den seitlichen Ausgangsöffnungen der Abdeckung an (**Abb. 2 oder 3U je nach Modell**).

#### Tropfauffangschale (34)

Bringen Sie die Schale unter dem Saftauslass an (**Abb. 2 oder 3U je nach Modell**).

#### Saftbehälter Self Service (40)

##### Montage (Abb. 12).

Stecken Sie das Sensorrohr Hahn (**45**) in die Bohrung an der Rückseite des Behälters. Schieben Sie diesen hinein, bis die Befestigungsstifte des Behälters in das Loch der Riegel eingeführt sind. Drücken Sie mit der rechten Hand fest auf die Vorderseite des Behälters, bis Sie das Klicken des Riegels hören, und dann mit der linken Hand, bis Sie das Klicken des

linken Riegels hören. Vergewissern Sie sich, dass er perfekt fixiert ist, indem Sie versuchen, ihn vorsichtig herauszuziehen.

**! Wichtig!** Eine falsche Fixierung des Behälters kann Dichtigkeitsprobleme und kleinere Saftlecks verursachen. Vergewissern Sie sich immer, dass er ordnungsgemäß in den Maschinenkörper eingerastet ist und dass das Behälterprofil in einwandfreiem Zustand ist.

**Anmerkung:** Um eine korrekte Fixierung des Behälters zu gewährleisten, wird empfohlen, die Fixierlaschen frei von Saftresten und/oder Schmutz zu halten. Sprühen Sie ein Reinigungsmittel (Zumex Citric Active) sowohl in die Befestigungslöcher des Behälters als auch auf die Innenseite, wie in Abbildung 3 dargestellt (**Abb. 12**). Lassen Sie das Reinigungsmittel 1 Minute lang einwirken. Betätigen Sie wiederholt die Riegel und entfernen Sie Produktreste mit einem sauberen Tuch.

##### Demontage (Abb. 12).

Um den Behälter zu entfernen, drücken Sie gleichzeitig auf den linken und rechten Riegel. Ziehen Sie den Behälter heraus.

#### Unterfilter Self Service (41)

Legen Sie den Unterfilter in den Pressbehälter ein (**Abb. 3U**).

#### Automatisches PulpOut-System (42+)

Mit dieser Einheit können Fruchtfleisch und Kerne beim Entsaftungsvorgang automatisch entfernt werden.

##### Montage (Abb. 20.1+ und 20.2+)

- a) Setzen Sie die Walzen (42.1+) in das Transportband ein (42.2+).
- b) Fügen Sie zunächst auf der linken Seite die Walze in die Metallbuchsen des Gestells ein. Dehnen Sie dann das Band und fügen Sie die andere Walze in die Buchsen auf der rechten Seite ein (**Abb. 20.1+**).
- c) Befestigen Sie den Deckel des Bandes (42.4+), indem Sie zunächst die Zapfen der rechten Seite in die Nuten des Gestells einführen (42.3+) (**Abb. 20.1+**). Drehen Sie den Deckel dann so, dass er vollständig horizontal im Gestell einrastet und drücken Sie, bis es klick macht.
- d) Üben Sie leichten Druck auf die Seiten des seitlichen Deckels (42.5+) aus und führen Sie ihn in die Öffnungen der linken Seiten des Gestells ein (**Abb. 20.1+**). Vergewissern Sie sich, dass die Zapfen vollständig eingerastet sind und dass der Deckel frei gedreht werden kann. Lassen Sie ihn in der vertikalen Position.





e) Setzen Sie die Automatische PulpOut-System (42+) in die Maschine ein (**Abb. 20.2+ und 20.3+**). Führen Sie hierfür die linke Walze in den Achsenmotor auf der linken Seite der Maschine ein. Vergewissern Sie sich, dass die Einheit in die Zapfen des Behälters eingerastet ist.

f) Drehen Sie den Spritzschutzdeckel (42.6+) in die senkrechte Position. Es ist nicht notwendig, die Abdeckung bei der Demontage der Automatische PulpOut-System abzunehmen.

**Anmerkung:** Der Spritzschutzdeckel muss sich für die Montage der Abdeckung in horizontaler Position befinden.

#### Demontage (Abb. 20.3+)

Um die PulpOut-Einheit aus dem Gerät zu entfernen, ziehen Sie sie nach oben heraus. Führen Sie zur Demontage der Einheit die im Abschnitt Montage angegebenen Schritte in umgekehrter Reihenfolge durch.

Siehe Abschnitt *Reinigung* zur ordnungsgemäßen Instandhaltung der PulpOut-Einheit.

Für die Aufstellung der Maschinen siehe:

Speed S +plus (Abb. 3+).

Speed S +plus All-in-One (Abb. 4+).

Speed S +plus Tank All-in-One (Abb. 5+).

### SB-Hahn Self Service Up (44U), SB-Hahn Self Service S <sup>+plus</sup> (44+)

#### Montage Hahn Up (13.1)

Halten Sie die Zentriervorrichtung des Hahns/den Flaschenhalter mit einer Hand, während Sie mit der anderen Hand die Haltemutter drehen, um sie am Behälterauslass zu befestigen.

Richten Sie den Hahn mit der Zentriervorrichtung/Flaschenhalter aus und setzen Sie die Taste zwischen die Stifte der Halterung ein. Halten Sie den Hahn mit einer Hand fest, während Sie mit der anderen Hand die Befestigungsmutter des Hahns aufschrauben.

#### Demontage Hahn Up (13.1)

Halten Sie den Hahn mit einer Hand fest, während Sie mit der anderen Hand die Befestigungsmutter des Hahns lösen. Ziehen Sie den Hahn nach dem Lösen der Befestigungsmutter vorsichtig heraus.

Halten Sie den Flaschenhalter mit einer Hand, während Sie mit der anderen Hand die Mutter der Zentriervorrichtung/des Flaschenhalters abschrauben. Ziehen Sie vorsichtig daran, um ihn vom Behältergewinde zu trennen.

**!** **Wichtig!** Demontieren Sie den Hahn und die Halterung mit beiden Händen, um ein Herunterfallen und Stöße bei der Handhabung zu vermeiden.

#### Montage Hahn S+plus (14.1+)

Um den Hahn S+plus am Behälter zu montieren, halten Sie den Hahn mit beiden Händen fest, richten Sie den Stift nach dem Loch am Behältergewinde aus und drücken Sie den Hahn vorsichtig hinein. Halten Sie den Hahn mit einer Hand am Flaschenhalter fest und ziehen Sie mit der anderen Hand die Überwurfmutter der Hahnbefestigung an.

**Anmerkung:** Denken Sie daran, die Überwurfmutter so weit einzuschrauben, bis der Gewindegang des Behälters nicht mehr sichtbar ist.

Wenn er nicht richtig positioniert ist, wird der Hahnsensor nicht aktiviert.

#### Demontage Hahn S+plus (14.1+)

Halten Sie den Hahn mit einer Hand fest, während Sie mit der anderen Hand die Befestigungsmutter des Hahns lösen.

Ziehen Sie den Hahn nach dem Lösen der Befestigungsmutter vorsichtig heraus.

**!** **Wichtig!** Fassen Sie den Hahn mit beiden Händen an, üben Sie keine übermäßige Kraftanwendung auf den Stift oder das Gewinde des Hahns aus. Belasten Sie den Hahn nicht mit Gewicht.

#### Bedienung des Hahns (Fig. 13.2 und 14.2+)

Sie können den Hahn durch Drücken und Loslassen zur Saftentnahme normal bedienen.

Beim Hahn SS S +plus (44+) befindet sich die Taste an der Außenseite. Sie können die Taste in der Position "freier Auslauf" feststellen. Drehen Sie dazu den Ring mit den gestrichelten/kontinuierlichen Linien, bis die kontinuierliche Linie über dem Glassymbol steht. Lassen Sie den Hahn los. Damit ist der Hahn festgestellt. Um die Feststellposition aufzuheben, drücken Sie einfach erneut die Taste.

Das Gerät Speed S +plus All-in-One verfügt über einen Flaschenhalter, der bei Bedarf durch das Lösen der beiden hinteren Schrauben entfernt werden kann.

Beim Hahn SS Up (44U) befindet sich die Taste an der Innenseite. Sie können die Taste in der Position "freier Auslauf" feststellen. Drücken Sie dazu den Knopf ganz durch und verschieben Sie die Metalllasche an der Seite des Flaschenhalters/der Zentriervorrichtung. Lassen Sie den Hahn los. Damit ist der Hahn festgestellt. Um die Feststellposition aufzuheben, drücken Sie einfach erneut die Taste.



Für die tägliche Reinigung beider Hähne müssen Sie das Oberteil, wie auf den Bildern dargestellt, abnehmen (**Abb. 13.2 und 14.2+**). Die Demontage des Hahnes Up erfolgt durch Drehen des Kunststoffripps am Hahnkörper und anschließendes Entfernen der Taste. Die Demontage des Hahns S+plus erfolgt durch Drehen des Rings am Metallkörper.

### Dichtung Sensorrohr (46)

Im Bedarfsfall kann diese Dichtung zur Reinigung herausgenommen werden (**Abb. 3U oder 4**).

### Ergänzungsteil Maschine (47)

Verwenden Sie dieses Ergänzungsteil zur Erhöhung der Maschine (**Abb. 3U oder 3+**).

**!** **Wichtig!** Das Anbringen der Maschine auf dem Ergänzungsteil darf nie von einer Person allein vorgenommen werden.

### Saftbehälter Tank (50)

Richten Sie die beiden seitlichen Nasen an den Enden des Behälters aus und üben Sie Druck aus. Durch Drücken der seitlichen Taster lässt sich die Montage erleichtern (**Abb. 15**).

Für den Ausbau des Behälters einfach die beiden seitlichen Taster drücken und den Behälter herausziehen.

### Unterfilter Tank (51)

Legen Sie den Unterfilter in den Pressbehälter ein (**Abb. 5+**).

### Schwimmer Tank/Cooler (52)

#### Modell Tank

- Im Falle, dass der Halter mit Schwimmer locker ist, lockern Sie die Haltezapfen (**Abb. 16 (1)**).
- Gleichen Sie die Vorsprünge des Halters mit der Unterseite des Deckels ab (**Abb. 16 (2)**).
- Drücken Sie die Zapfen fest (**Abb. 16 (2 und 3U)**).
- Falls eine gründliche Reinigung nötig ist, entfernen Sie die Teile in umgekehrter Reihenfolge und entnehmen Sie die Achse (**Abb. 16 (4)**).

### Modell Cooler oder Tank

Die oberen Nasen lösen. Das Blech an den Öffnungen von unten aus ausrichten. Die oberen Nasen erneut festdrücken (**Abb. 18**).

### Tank (53)

Nach dem Verschließen in die Führungen des Unterschranks einschieben (**Abb. 5+**).

### Hahn Tank (55)

Verwenden Sie das Gewinde, um den SB-Hahn am Behälter Tank zu befestigen. Vergewissern Sie sich, dass er senkrecht ausgerichtet ist (**Abb. 17.1**).

Der Hahn Tank kann auf kontinuierlichen oder nicht kontinuierlichen Betrieb eingestellt werden. Einfach den Ziehgriff 180° drehen und nach unten drücken. Der Hahn wird arretiert und ermöglicht freien Auslass.

Zur Reinigung kann der obere Teil des SB-Hahns ausgebaut werden (**Abb. 17.2**).

### Füllstandsensor (56)

Dieses Element muss nur im Fall einer Ersatzteilbestellung ausgebaut werden. Wichtig ist, den Sensor wieder in dieselbe Position wie das Originalteil zu bringen. Wenn es sich bei Ihrer Maschine um ein Modell Tank handelt, befindet sich der Sensor oben, bei einer Maschine Modell Cooler befindet sich der Sensor unten (**Abb. 5+ oder 6**).

### Kühleinheit (70)

Bringen Sie die Kühleinheit an der davor vorgesehenen Stelle im Unterschrank an (**Abb. 6**).

Montieren Sie die Bestandteile wie in **Abb. 18** gezeigt in der folgenden Reihenfolge:

- Montieren Sie den Dichtungskolben und den Hebel im Behälter in der in der Zeichnung nummerierten Reihenfolge.
- Bringen Sie den Behälter an.
- Richten Sie den Deckel der Pumpe im Inneren des Behälters mit dem Pfeil in Ihre Richtung zeigend an.
- Befestigen Sie die Befestigungsplatte aus Metall und damit gleichzeitig den Behälter.



### Podium Tank S <sup>+plus</sup> All-in-One (90), Podium Black All-in-One (90+), Podium Mirror All-in-One (90+), Podium Cooler (100)

Aufsetzen der Maschine auf dem Display Unterschrank:

**Wichtig:** Für diesen Vorgang sind 2 bis 3 Personen erforderlich. Dieser Schritt darf nie von einer Person allein vorgenommen werden.

Blockieren Sie die vorderen Rollen des Unterschranks mit dem Bremspedal, damit er sich während der Installation nicht bewegen kann.

Nach dem Entfernen der Verpackung des Unterschranks die Schrauben der Befestigungswinkel lösen und für später aufheben. Siehe Detail "A" von **Abbildung 8**.

Im Inneren des Unterschranks befinden sich die Schalenaustritte und die Tropfauffangschale des Unterschranks mit dem Filter.

Setzen Sie die Maschine auf den Unterschrank, wobei die inneren Ecken der Maschinenbasis mit den zwei Gummistollen des Unterschranks übereinstimmen müssen, damit die Öffnungen der Befestigungswinkel mit den Öffnungen der Maschine übereinstimmen. Jetzt können Sie die Maschine mit den zuvor beiseite gelegten Schrauben befestigen (**Abb. 5+ oder 6**).

#### Hinweis:

Maschine und Display Unterschrank sind, wie in dieser Anleitung beschrieben, mit den gelieferten Schrauben verbunden.

Versuchen Sie nie, Maschine und Unterschrank zu kippen. Um das Gerät zu bewegen, muss die Bremse der Rollen gelöst werden.

### Besonderheiten Podium Tank S <sup>+plus</sup> All-in-One (90)

Befestigen Sie für den Unterschrank Self Service und Tank die Tropfauffangschale mit dem Filter im Display Unterschrank.

Das Bauteil 90.7 variiert je nach erworbenem Unterschrankmodell:

Unterschrank Self Service: Bauteil Filter Unterschrank SS (90.7A).

Unterschrank Tank: Bauteil Behälterführungen TANK (90.7B).

Die Position von Bauteil Frontblende Tablett (90.8) und Filter Tablett (90.9) kann zur Anpassung an die verschiedenen Formate von Flaschen und Bechern verändert werden.

### Besonderheiten Podium Black und Mirror All-in-One (90+)

Der Unterschrank SS S <sup>+plus</sup> (90+) verfügt über zwei getrennte Abfallbehälter.

**Denken** Sie stets daran, beide Behälter einzusetzen.

### Besonderheiten Podium Cooler (100)

Siehe **Abbildung 6** und **9.1** für die korrekte Anbringung der Bauteile.

Führen Sie das Stromkabel der Kühleinheit durch die Öffnung der hinteren Klappe. Diese Klappe kann im Bedarfsfall abgeschraubt werden (**Abb. 9.2**).

### Einbau Drain&Clean System

**!** **Wichtig!** Nehmen Sie die Maschine vom Strom.

### Podium Tank All-in-One (90)

Falls bereits montiert, entfernen Sie Schalenaustritt (90.6), Filter Unterschrank SS (90.7A) und Trichter Unterschrank (90.3) (**Abb. 8**). Öffnen Sie die vordere Tür. Falls eingebaut, entfernen Sie die Sicherheitsschraube Spritzgusskunststoff (6) sowie den Deckel Unterschrank SS/Tank (80.5).

Greifen Sie mit der Hand in die obere Öffnung (**Abb. 7.2**), und legen Sie den Schlauch (80.4) in die Öffnung (**Abb. 7.2**). Ziehen oder halten Sie dabei kein anderes Teil der Maschine.

Befestigen Sie anschließend die untere Abdeckung mit den beiden gelieferten Sicherheitsschrauben und bringen Sie die zuvor ausgebauten Teile erneut an (**Abb. 7.2**).

Siehe Detailansicht für die Anbringung der Bauteile (**Abb. 8**).

### Podium Black und Mirror All-in-One (90+)

Öffnen Sie die vorderen Türen und nehmen Sie die Abfallbehälter heraus (**Abb. 8.1 und 8.2**). Falls eingebaut, entfernen Sie die Sicherheitsschraube Spritzgusskunststoff (6) sowie den Deckel Unterschrank SS/Tank (80.5).

Greifen Sie mit der Hand in die obere Öffnung (**Abb. 7.2**), und legen Sie den Schlauch (80.4) in die Öffnung (**Abb. 7.2**). Ziehen oder halten Sie dabei kein anderes Teil der Maschine.

Befestigen Sie anschließend die untere Abdeckung mit den beiden gelieferten Sicherheitsschrauben und bringen Sie die zuvor ausgebauten Teile erneut an (**Abb. 7.2**).

Siehe Detailansicht für die Anbringung der Bauteile (**Abb. 8.1 und 8.2**).



## Allgemeine Funktionsweise

Nach korrekter Installation der Maschine sind vor dem Anschluss an das Stromnetz die elektrischen Daten zu überprüfen. Sollten keine Probleme gefunden werden, kann die Maschine an das Stromnetz angeschlossen werden.

Betätigen Sie die grüne Taste **ON**, um die Maschine einzuschalten. Die LED-Anzeige der Taste **ON/OFF** sowie das digitale Display der Maschine leuchten auf.

**Vor der Inbetriebnahme der Maschine mit Orangen ist eine Kalibrierung der leeren Maschine erforderlich. Dazu im KUNDENMENÜ den Abschnitt Kalibrierung aufrufen oder die Maschine ca. 1 Minute leer laufen lassen, bis sie stoppt.**

Für eine korrekte Zählweise kann die Einstellung des Parameters Offset im Anschluss an die Kalibrierung des Gerätes erforderlich sein.

**Fall 1:** Es werden nicht alle Orangen gezählt. Reduzieren Sie den Wert Offset.

**Fall 2:** Es werden zu viele Orangen gezählt. Erhöhen Sie den Wert Offset.

Rufen Sie dazu **MENÜ>5.Kalibrierung>2.Offset** auf und stellen Sie den Wert ein. Verlassen Sie das Menü und überprüfen Sie die Zählung ohne Früchte und dann mit 2 oder 3 Orangen. Wiederholen Sie diesen Prozess, bis Sie den Wert ermittelt haben, der die korrekte Zählweise des Gerätes ermöglicht.

Zur Vermeidung von Fehlern bei der Zählung sollte das Gerät nicht mit einer Orange zwischen Trommeleinsatz und Trommelgehäuse stillstehen.

Bei allen Modellen wird der Orangenähler angezeigt. (Abweichung +-1%)

Vergessen Sie nicht, einen Krug oder einen Becher unter den Saftauslass der Maschine zu stellen.

Sollte ein Sicherheitselement fehlen, startet die Maschine erst, wenn das fehlende Element angebracht wurde.

**Im Bedarfsfall können Sie die Maschine jederzeit folgendermaßen ausschalten:**

- A** Durch Lösen des entsprechenden Betätigungselements, z. B. Hahn.
- B** Durch Drücken der Taste **STOP**.
- C** Durch Drücken der roten Taste **OFF**.
- D** **Nur Im Notfall:** Durch Trennen des Anschlusskabels der Maschine vom Stromnetz.
- E** Wenn die Maschine keine Orangen erkennt, stoppt sie ca. 60" nach dem Durchlauf der letzten Orange.

## Befüllen der Zuführung

Um die Zuführung der Maschine mit Orangen zu beschicken, kann die Tür Zuführungskorb (14) geöffnet werden, um Orangen direkt aus der Kiste einzufüllen. Schließen Sie die Tür erneut und befüllen Sie den Korb vollständig.

## Presseinheit

Vergewissern Sie sich, dass an der Maschine sämtliche Elemente für Aufschneiden der Orangen, Entsaftung und Auffangen des Saftes montiert sind. Vergleichen Sie dazu das jeweilige Maschinenmodell mit den entsprechenden Zeichnungen und Abschnitten: *Entfernung der Verpackung und Inbetriebnahme. Ein- und Ausbau der Einzelnen Elemente je nach Modell.*

Überprüfen Sie den Zustand von Behältern und Filter, um einen hochwertigen Saft gewährleisten zu können.

Falls Sie über eine Maschine mit Presswerk-modul 1Step (19+) verfügen, können Sie die Entsaftungseinheit in einem einzigen Schritt einsetzen und entnehmen.

## Saftausgabe

Falls Sie über ein Gerät mit den folgenden Bestandteilen verfügen:

- Automatisches PulpOut-System (42+), Fruchtfleisch und Reste von Kernen werden über die linke Seite der Maschine entsorgt.
- SB-Hahn SS Up (44U), SB-Hahn SS S +plus (44+) o Hahn Tank (55): Lesen Sie die Anweisungen zum SB-Hahn SS im Abschnitt Montage und Demontage je nach Modell.
- Automatische Füllfunktion: Die Maschine stoppt automatisch, wenn der Höchstfüllstand erreicht wurde. Denken Sie daran, den Schwimmer Tank/Cooler (52) entsprechend der Anweisungen an der richtigen Stelle anzubringen. Sie können außerdem die Füllmenge festlegen.

## Abfallbereich

Vergewissern Sie sich, dass die Elemente zur Aufnahme der Orangenschalen korrekt an der jeweiligen Stelle angebracht sind.

Überprüfen Sie den Füllstand der Behälter, um zu vermeiden, dass Schalen überquellen.

Sie können zudem die Funktion **Abfallgrenze** möglich. Durch die Programmierung eines Alarms stoppt die Maschine, wenn der Abfalleimer voll ist.



Sie können die Anzahl der ausgepressten Orangen festlegen, bei der der Alarm ausgelöst wird. Bei Erreichen der festgelegten Anzahl von ausgepressten Orangen stoppt die Maschine und auf dem Display erscheint ein Hinweis mit der Aufforderung, den Abfalleimer zu leeren.

Wenn Sie eine Maschine mit Podest erworben haben, fallen die Schalen direkt in den Abfallwagen (90.4) oder Schaleneimer (100.3).

Um die Funktion **Waste Limit** zu deaktivieren, bitte den **OK**-Knopf 2 Sekunden gedrückt halten.

#### Achtung!

„Ok kurz“ gedrückt halten deaktiviert die Funktion nicht.

„Ok lang“ lang gedrückt halten deaktiviert die Funktion.

Um die Funktion zu deaktivieren bitte den Abschnitt **Abfallgrenze** im **MENÜ WÄHLEN**.

Wenn die Maschine ausgeschaltet oder vom Netz getrennt wird, erfolgt eine Stornierung der Abfall-Alarmfunktion, die dann erneut bei Null beginnt.

## Bedienung der Maschine

### Allgemeines

Bei allen Modellen besteht die Möglichkeit, zwischen Betriebsmodus **Profi** und Betriebsmodus **Automatik** zu wählen. Um von einem Betriebsmodus zum anderen zu wechseln, muss die Taste **Mode** einige Sekunden lang gedrückt werden. Bei jedem Wechsel vom Betriebsmodus **Automatik** zu **Profi** werden Sie aufgefordert, die Anzahl der auszupressenden Orangen zu programmieren. Soll die Anzahl jedoch nicht verändert werden, einfach einige Sekunden abwarten oder die Taste **OK** kurz betätigen. Soll die Anzahl verändert werden, Taste + - zur Einstellung der Menge und anschließend die Taste **OK** drücken, bis das Symbol für **Gespeichert** angezeigt wird.

## Modell Speed Pro Basic

### BETRIEBSMODUS AUTOMATIK

Im Betriebsmodus Automatik:

 **START** Startet die Maschin



 **STOP** Stoppt die Maschine

Kontinuierlicher Betrieb.

### BETRIEBSMODUS PROFI

**Mindestanzahl Orangen**   1

**Höchstanzahl Orangen**   12

**Werkseinstellung**   3

Betrieb bis zum Erreichen der eingestellten Anzahl.

## Speed Pro, Speed Up, Speed S<sup>+plus</sup> Speed Up All-in-One, Speed S<sup>+plus</sup> All-in-One

Die Taste **START** ist nicht aktiv. Sie ist nur im Betriebsmodus **MANUAL** aktiv.

### BETRIEBSMODUS AUTOMATIK

Steuerung über den SB-Hahn SS Up (44U) / SB-Hahn SS S +Plus (44+).



Kontinuierlicher Betrieb, solange der Hahn betätigt wird.

### BETRIEBSMODUS PROFI

Steuerung über den Hahn, solange er betätigt wird.

**Mindestanzahl Orangen**   1

**Höchstanzahl Orangen**   12

**Werkseinstellung**   3

### BETRIEBSMODUS MANUAL

(Für den Fall, dass der Hahn nicht funktioniert)



Im Betriebsmodus Manual ist die Taste **START** aktiv.

Im Betriebsmodus Manual kann die Maschine weiter im Betriebsmodus Automatik und Profi über die Tastatur bedient werden.



### MANUAL "AUTOMATIK"

Kontinuierlicher Betrieb.

### MANUAL "PROFI"

**Mindestanzahl Orangen**   1

**Höchstanzahl Orangen**   12

**Werkseinstellung**   3

Die Taste **STOP** ist immer betriebsbereit.



### Hahn Self Service Up (44U), Hahn Self Service S <sup>+plus</sup> (44+)

Sie haben einen Multifunktionshahn erworben. Es besteht die Möglichkeit, Saft einzeln oder kontinuierlich zu liefern, ohne dass der Taster gedrückt gehalten werden muss.

Für die verschiedenen Möglichkeiten siehe: Ein- und Ausbau der Einzelnen Elemente je nach Modell, Hahn Self Service Up (44U), Hahn Self Service S <sup>+plus</sup> (44+).

### Speed S <sup>+plus</sup> Tank Podium (90), Speed Pro Cooler Podium (100)

Vergewissern Sie sich immer, dass Tank (53) oder Behälter (70.6) so nahe wie möglich am Sensor an der Basis montiert ist. Prüfen Sie, ob der Schwimmer korrekt im Deckel montiert und frei beweglich ist (Abb. 5+ und Abb. 6).

Wenn der Schwimmer Tank/Cooler (52) nicht montiert wurde, arbeitet die Maschine nicht (Abb. 16).

<b>BETRIEBSMODUS AUTOMATIK</b>	1
Beim Einschalten der Maschine am Beginn eines Arbeitstages die Taste <b>START</b> betätigen, um die Maschine zu starten.	
Die Maschine beginnt nun, Saft auszupressen, bis der Behälter gefüllt ist und der Füllstandsensor (56) den Schwimmer Tank/Cooler (52) nicht mehr erfasst. In diesem Moment stoppt die Maschine.	2
Bei Sinken des Füllstands startet die Maschine immer wieder erneut, wenn im Betriebsmodus Automatik ca. 15" vergehen, ohne dass der Schwimmer erfasst wird.	3
Solange nicht <b>STOP</b> gedrückt wird, erfolgt die Anzeige des vollen oder halbvollen Tanks, die besagt, dass die Maschine nicht arbeitet, obwohl der Betriebsmodus Automatik eingestellt wurde. Die Maschine wartet ab, bis der Tank leer ist, um den Füllvorgang erneut zu starten. Beim Drücken auf <b>STOP</b> verschwindet die Anzeige und die Maschine stoppt den Betrieb.	4

<b>BETRIEBSMODUS PROFI</b>	1
Die Maschine startet beim Drücken auf <b>START</b> und stoppt, wenn der Füllstandsensor (56) den Schwimmer Tank/Cooler (52) nicht erfasst oder das eingestellte Volumen erreicht wurde. Wenn der Füllstand sinkt, startet die Maschine erst, wenn erneut <b>START</b> gedrückt wird.	
Je nach Ihrem Saftbedarf sind 3 verschiedene Füllstände möglich.	2

<b>BETRIEBSMODUS MANUAL</b> (Für den Fall, dass der Sensor nicht funktioniert)	
Bei einer Störung des Füllstandssensors (56) muss das Menü aufgerufen und <b>BETRIEBSMODUS MANUAL</b> aktiviert werden. Daraufhin ist die Maschine ohne Füllstandsensor betriebsfähig, bis der Sensor repariert wird.	
<b>MANUAL "AUTOMATIK"</b>	1
Kontinuierlicher Betrieb.	
<b>MANUAL "PROFI"</b>	2
Programmieren Sie die Anzahl der auszupressenden Orangen. Die Maschine stoppt bei Erreichen des eingestellten Wertes oder bei Betätigung der Taste <b>STOP</b> .	
<b>Achtung!</b> Im Betriebsmodus Manual muss der Füllstand des Saftes kontrolliert werden, damit kein Saft überläuft. Die Füllstandskontrolle arbeitet in diesem Betriebsmodus nicht.	

### Speed Pro Cooler: Kühleinheit

Schalten Sie das Kühlaggregat am Schalter links beim Saftauslass des Behälters ein. Die Regelung der Safttemperatur erfolgt über den rechts angebrachten Regler. Drehen im Uhrzeigersinn führt zu mehr, **Drehen gegen den Uhrzeigersinn zu weniger Kühlung.**

Betätigen Sie den Hebel am Behälter, um einen Becher oder einen Krug zu füllen.

**! Wichtig!** Denken Sie daran, die Kühleinheit (70) beim Ausschalten der Maschine ebenfalls auszuschalten, um unnötigen Verbrauch zu vermeiden.

## Konfiguration

Bei der Saftpresse Zumex **Speed** können bestimmte Parameter nach Bedarf eingestellt werden.

Der Betriebsmodus der Maschine lässt sich elektronisch einstellen. Damit können über die **MENÜS** Attribute und Funktionsweisen gewählt werden.

Zum Aufrufen des **MENÜS** die Tasten **STOP** und **MODE** mindestens 2" lang drücken und den werkseitig eingestellten PIN-Code (0000) eingeben. Drücken Sie dann die **OK**-Taste für 2 Sekunden um die PIN-Nr. zu bestätigen.

Im MENÜ sind die folgenden Konfigurationen möglich:

**SPRACHE:** Es steht eine Auswahl von 23 Sprachen zur Verfügung.

**PIN:** PIN anzeigen oder ändern, damit keine Maschinenparameter unbefugt verändert werden können.

**ZÄHLER:** Gesamt- oder Teilzähler der Maschine anzeigen. Reset des auf dem Hauptdisplay angezeigten Teilzählers. Um den Zähler der Maschine zurückzusetzen, die Tasten STOP+START mindestens 3" lang gedrückt halten, bis der Zähler 0000000 anzeigt.

**FIXZÄHLER** aufsteigend oder absteigend: Zur Einstellung der auszupressenden Orangen. Die Maschine stoppt in auf- oder in absteigender Richtung, bis eine neue Anzahl programmiert wird.

**ARRETIERUNG DES BETRIEBSMODUS:** Es besteht die Möglichkeit, die Maschine so einzustellen, dass sie nur im Betriebsmodus Automatik oder Profi arbeitet oder sogar, dass lediglich die von Ihnen eingestellte Anzahl der auszupressenden Orangen oder von Ihnen vorgegebene Saftmenge produziert wird.

**BETRIEBSMODUS MANUAL (Notfall-Betriebsmodus):** Bei Maschinenmodellen mit einem Schalter oder Sensor für Notfall-Betrieb kann dieser durch Wählen des Betriebsmodus **MANUAL** storniert werden [Modell Self Service: SB-Hahn Up (44U). Modell Tank und Cooler: Füllstandsensord (56)].

**ABFALLGRENZE:** Möglichkeit zur Aktivierung eines Alarms, damit die Maschine bei Erreichen der festgelegten Anzahl von ausgepressten Orangen stoppt mit dem Hinweis, dass der Abfalleimers geleert werden muss.

**PULPOUT-SYSTEM:** Sie können das PulpOut-System aktivieren, um Fruchtfleisch und Kerne automatisch zu beseitigen. Sie können zwischen ununterbrochenem und regelmäßigem Modus wählen.

Im **ununterbrochenen Modus** wird das Fruchtfleisch während der Entsaftung ständig beseitigt. Verlängern Sie vor der Reinigung die Laufzeit des Systems und somit die Nutzungszeit.

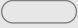

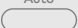

Im **regelmäßigen Modus** ist eine längere Filterphase möglich. Sie können je nach Sorte der verwendeten Zitrusfrüchte und der Menge an Fruchtfleisch einstellen, wie häufig das System aktiv werden soll. Bei einer schnelleren Frequenz wird das System in kürzeren Zeitintervallen aktiv.

Auf diese Weise setzt sich das Band je nach gewähltem Programm nach den folgenden Entsaftungszyklen in Gang:



Zudem können Sie die Funktion "Automatische Reinigung" aktivieren, durch die sich das Band automatisch nach dem letzten Entsaftungsvorgang reinigt. Im unterbrochenen Modus wird die Funktion "Automatische Reinigung" 30 Sekunden nach der letzten Entsaftung aktiv.

Im Digital-Display werden unter anderem die folgenden Anzeigen dargestellt:

-  Ununterbrochener Modus
-  Unterbrochener Modus mittlere Geschwindigkeit
-  Ununterbrochener Modus mit Funktion "Automatische Reinigung"
-  Unterbrochener Modus hohe Geschwindigkeit mit Funktion "Automatische Reinigung"

Jede Situation, bei der das PulpOut-System in Betrieb ist, kann durch Drücken der Taste "STOP" unterbrochen werden. Im ununterbrochenen Betriebsmodus mit "Automatische Reinigung" muss die Taste "STOP" zweimal gedrückt werden, um die Maschine anzuhalten, und ein weiteres Mal, um die automatische Reinigung anzuhalten.

**KALIBRIERUNG:** Eine Kalibrierung der Maschine für korrekte Zählweise ist jederzeit möglich.

**MASCHINEN-STATUS:** Zugang zu den verschiedenen Störungen, die zu einem Maschinen-Stopp geführt haben können.

**KONTRAST:** Regelung der Helligkeit des Displays.

**Achtung!** Im Betriebsmodus KUNDENMENÜ:

"Drücken Sie die OK-Taste" zum Aufrufen einer niedrigeren Stufe.

"Drücken Sie die OK-Taste für 2 Sekunden" zum Aufrufen einer höheren Stufe.

"Drücken Sie die OK-Taste für 2 Sekunden" zum Speichern einer Angabe  
(Speicherungssymbol wird angezeigt)

Zum Verlassen des KUNDENMENÜS müssen alle vorher nach unten aufgerufenen Stufen nach oben durchlaufen werden.

## Menü-Schema Hauptmenü



1	<b>SPRACHE.</b> Sprache für die Bedienung der Maschine auswählen.	<b>PULPOUT.</b> Wählen Sie den Funktionsmodus für das Automatik System Pulp-out.	6
2	<b>PIN.</b> PIN anzeigen oder ändern.	<b>KALIBRIERUNG.</b> Maschine für eine korrekte Zählweise kalibrieren.	7
3	<b>ZÄHLER.</b> Gesamt- oder Teilzähler der Maschine anzeigen.	<b>STATUS.</b> Die verschiedenen Störungen aufrufen, die zu einem Maschinen-Stopp geführt haben können.	8
4	<b>BETRIEBSMODUS.</b> Betriebsmodus wählen: Automatik oder Profi.	<b>KONTRAST.</b> Regelung der Helligkeit des Displays.	9
5	<b>ABFALLGRENZE.</b> Aktivieren eines Hinweises, dass der Abfalleimer geleert werden muss.		



## Reinigung

Zumex empfiehlt, die Maschine je nach Einsatz mindestens 1 bis 2 Mal täglich zu reinigen, um die Voraussetzungen für Lebensmittelhygiene zu erfüllen.

Zumex empfiehlt die Verwendung des Reinigers **Zumex Citric Active™**, der speziell für die Reinigung von Zitruspressen entwickelt wurde und als hocheffektiver Entkruster Wachs und Fruchtfleischreste entfernt.

### Führen Sie zur richtigen Reinigung des Gerätes die folgenden Schritte aus:

- A** Alle Kunststoffteile können in der Spülmaschine gereinigt werden, mit Ausnahme des Saftbehälters Sped Pro Cooler.
- B** Um ein vorzeitiges Rosten des Edelstahls zu verhindern, wird empfohlen, den (44U) SB-Hahn SS Up, (44+) und SB-Hahn SS S +plus nicht in der Spülmaschine zu waschen.

### Für alle Modelle gilt:

- 1** Maschine vom Stromnetz trennen.
- 2** Lesen Sie den entsprechenden Abschnitt im Kapitel Montage und Demontage der Bestandteile nach Modell für *Informationen zur Montage und Demontage*.
- 3** Seitliche Ausgänge abmontieren.
- 4** Abdeckung abmontieren.
- 5** Montage und Demontage der Einzelteile nach Modell.

### Speed Pro Basic, Speed Up, Speed Up All-in-One, Speed Cooler Podium

- 6** Messerhalter ausbauen, dazu am Griff nach außen ziehen.
- !** **VORSICHT!** Mit diesem Teil vorsichtig umgehen es besteht die Gefahr von Schnittverletzungen.
- 7** Schalenabscheiderkeile aus der Halterung nehmen (**Abb. 1**).
- 8** Entsaftungsstrommeln paarweise ausbauen, dabei zuvor die entsprechenden Sicherheitsschrauben lösen (**Abb. 1**).
- 9** Saftbehälter und Filter je nach Modell gemäß Abbildung ausbauen, siehe dazu: *Entfernung der Verpackung und Inbetriebnahme*.

### Speed S +plus, Speed S +plus All-in-One, Speed S +plus Tank All-in-One

- 6+** Entnehmen Sie das Schnell-ReinigungsKit 1Step (19+) aus der Maschine. Sie können es auf zwei Arten reinigen:
  - **Reinigung des vollständigen Kits:** beseitigen Sie eventuell vorhandene Reste von Fruchtfleisch und Schalen durch Waschen mit Wasser und gegebenenfalls mit milder Seife, nachdem Sie das Kit aus der Maschine entnommen haben. Sie können es auch in der Spülmaschine reinigen.
  - **Gründliche Reinigung:** alle Einzelteile können für eine gründlichere Reinigung einzeln ausgebaut werden. Zumex empfiehlt abhängig von der Nutzung der Maschine, das Schnell-ReinigungsKit mindestens einmal wöchentlich zu reinigen.
- 7+** Entnehmen Sie den Messerhalter S +plus (9+) und reinigen Sie es vorsichtig, um sich nicht zu schneiden.
- 8+** Entnehmen Sie die PulpOut-System (42+).
- 9+** Für die ordnungsgemäße Reinigung aller Bestandteile der Einheit müssen diese demontiert und einzeln gereinigt werden. Dies kann von Hand oder in der Spülmaschine erfolgen.

### Hinweise

- C** Reinigung der Elemente, die sich nicht ausbauen lassen: Mit einem mit Wasser und Seife angefeuchteten Tuch säubern und anschließend mit Wasser spülen.
- D** Achten Sie darauf, dass ähnlich aussehende Teile an unterschiedlichen Seiten montiert werden müssen.
- E** Durchsichtige Teile und Geschirrspüler: Die Reinigung dieser Teile ist im Geschirrspüler möglich. Es ist jedoch darauf zu achten, Reiniger, Salz und Glanzspüler korrekt zu verwenden, damit die Teile ihren Glanz und ihre Transparenz nicht verlieren.
- F** Bei Modellen mit Hahn: Schrauben Sie für eine gleichmäßige Reinigung den Hahn des Behälters ab und Entfernen Sie die Drucktaste vom Gerät. Denken Sie daran, für eine gründliche Reinigung die Hähne wie in den folgenden Abschnitten beschrieben abzumontieren: SB-Hahn SS Up (44U), SB-Hahn SS S +plus (44+), Hahn Tank (55) in *Montage und Demontage nach Modell*.
- G** Bei Modellen mit Drain & Clean System empfiehlt Zumex den Schlauch mindestens einmal wöchentlich auch innen mit einer langen Bürste über die Öffnung der Zuführung (poner figura) zu reinigen, um das Verstopfen dieses Bereiches zu vermeiden.



- H** Zuführung: Auch wenn Ihr Modell über ein Drain & Clean-System verfügt, ist es ratsam, den Drehteller der Zuführung für eine vollständige Entfernung von Wachs und Schmutzrückständen abzumontieren.
- I** Für schwierig zu reinigende Stellen empfehlen wir die Verwendung der mitgelieferten Bürste (Abb. 1).

## Zubehör

Entdecken Sie eine große Auswahl an Zubehör, mit dem Sie Ihren Entsafter an Ihre Bedürfnisse anpassen können:

### Presswerk-Modul 1Step

In nur 10 Sekunden können Sie das komplette Presswerk ausbauen und die Elemente im Geschirrspüler oder unter dem Wasserhahn reinigen. So dass Ihre Maschine wieder sauber und einsatzbereit ist.

\*Zubehörteil für die gesamte Speed S Serie. Enthält die Presswerkteile.

### Abdeckung für Füllbogen M

Verhindert den Zugriff auf die Frucht im Füllbogen M, um sie vor äußeren Einflüssen zu schützen.

### Abdeckung für Füllbogen L

Verhindert den Zugriff auf die Frucht im Füllbogen L, um sie vor äußeren Einflüssen zu schützen.

### Tropfschale 2 Positionen

Zubehör für die schwarzen Unterstellwagen für die Saftabfüllung in Glas und Flasche

### Korbverschluss

Deckel für den Füllkorb mit den Orangen, um den Zugriff zu verhindern.

### Fruchtfleisch-Abdeckkit

Abdeckung für das Reinigungsband, um das Fruchtfleisch zu verdecken und Spritzer zu verhindern.

### Kit S / Presswerk-Modul 1Step S

Für die Verarbeitung von Früchten mit einem Durchmesser 45 mm und 67 mm.

### Kit L / Presswerk-Modul 1Step L

Für die Verarbeitung von Früchten mit einem Durchmesser zwischen 75 mm und 95 mm.

### DCS System

Zum Entsaften weicher oder sehr reifer Zitrusfrüchte.

### Unterschrank-Display

Damit Sie Ihre Flaschen mit gepresstem Saft immer frisch und griffbereit haben. In zwei Größen erhältlich.

### Kit zum Pressen von Abfällen

Presst Abfälle in Stiftform für eine praktische und leichte Entsorgung.

### Flaschenregal

Zubehör zur Ausgabe von Flaschen, Bechern und Gläsern im SB-Bereich. Enthält drei Tablettts (mit 4 Höheneinstellungen). Im Unterschrank integriert. Ermöglicht den leichten Transport der gesamten Einheit.

### Zumex Pack




Zubehör zur Abfüllung frischer Getränke in Flaschen für den Verkauf, insbesondere für frischgepressten Orangensaft. Erhältlich in 6 Formaten (1.5 l, 1 l, 75 cl, 50 cl, 33cl y 25 cl) und mit individuell anpassbaren Klebern.

Informieren Sie sich auf der Website [www.zumex.com](http://www.zumex.com) über Zubehör zu Ihrer Maschine.



## Fehlersuche und Praktische Tipps

Zur Entfernung einer Fehlermeldung Taste **OK** kurz betätigen und überprüfen, ob die Ursache für die Störung gemäß der unten abgebildeten Tabelle behoben wurde.

FEHLER 	MÖGLICHE URSACHE 	MASSNAHME 
<b>01 Abdeckung</b>	Sicherheitsvorrichtung der Abdeckung wird nicht erkannt	Sitz der Abdeckung überprüfen Sitz der seitlichen Ausgangsöffnung überprüfen Sitz des Magneten überprüfen Anschlusskabel überprüfen Abdeckungssensor überprüfen
<b>02 Wanne</b>	Behälter wird nicht erkannt	Sitz des Behälters überprüfen Kabelanschlüsse überprüfen Behältersensor überprüfen
<b>03 Motorleistung</b>	Der Motor arbeitet nicht mit der korrekten Spannung	Netzspannung überprüfen Elektronikplatine überprüfen
<b>04 Unterbruch</b>	Unterbrechung der Stromzufuhr	Netzkabel überprüfen Innenverkabelung überprüfen
<b>05 Überstrom</b>	Der Motor weist einen zu hohen Verbrauch auf	Entsaftungssystem auf Fremdkörper überprüfen Härte der Früchte überprüfen Motor überprüfen Kühlung überprüfen
<b>06 Ohne Schwimmer</b>	Schwimmer wird nicht erkannt	Schwimmer korrekt anbringen Tank korrekt anbringen Verkabelung überprüfen Sensor überprüfen
<b>07 Kredit</b>	Zählerlimit erreicht	Zählerlimit aufheben Zählerlimit neu programmieren
<b>08 Abfallgrenze</b>	Zählerlimit erreicht	"OK" gedrückt halten, bis ein zweimaliges "Beep" ertönt



zumex.com



ZUMEX PRESENTA

## L'ampliamento della sua gamma più veloce e più robusta

Speed Pro, Speed Up e Speed S +plus sono state progettate per soddisfare una richiesta elevata di succo di frutta. I nuovi modelli sono più pronti che mai a fornire un servizio efficace, sicuro e impeccabile a ristoranti, caffetterie e supermercati.

Scopri le loro prestazioni e facilità di pulizia.

**Il seguente manuale si riferisce ai modelli Speed Pro, Speed Up e Speed S +plus.**



Registra il  
tuo prodotto

## Speed

Manuale per l'uso. Istruzioni originali.

In questo manuale troverai tutto l'occorrente per il montaggio e la messa in servizio della nuova macchina spremiagrumi della serie Speed Pro, Speed Up o Speed S +plus, oltre a informazioni sul funzionamento, caratteristiche, accessori, consigli e precauzioni.

**Ti preghiamo di leggere attentamente le istruzioni per sfruttare al massimo le prestazioni della tua Speed, e sentirai la differenza.**

## INDICE

- 3** ALLEGATO
- 190** INFORMAZIONI GENERALI IMPORTANTI
- 194** CARATTERISTICHE TECNICHE
- 195** ISTRUZIONI PER L'USO
  - 195** PREPARAZIONE
  - 195** DISIMBALLAGGIO E MESSA IN SERVIZIO
  - 198** MONTAGGIO E SMONTAGGIO DEI COMPONENTI IN BASE AL MODELLO
  - 210** FUNZIONAMENTO GENERALE
  - 216** CONFIGURAZIONE
  - 220** PULIZIA
  - 222** ACCESSORI
- 224** RILEVAMENTO DI GUASTI E CONSIGLI
- 226** DICHIARAZIONE DI CONFORMITÀ EU

Zumex si riserva il diritto di modificare senza preavviso le informazioni contenute in questo manuale.



## Informazioni generali importanti

Il presente manuale fa riferimento ai seguenti modelli di Zumex

Modelli Speed Pro	Zumex Speed Pro Basic
	Zumex Speed Pro Cooler Podium
Modelli Speed Up	Zumex Speed Up
	Zumex Speed Up All-in-One Wide Black
	Zumex Speed Up All-in-One Narrow Black
	Zumex Speed Up All-in-One Wide Mirror
	Zumex Speed Up All-in-One Narrow Mirror
Modelli Speed S +plus	Zumex Speed S +plus
	Zumex Speed S +plus All-in-One Wide Black
	Zumex Speed S +plus All-in-One Narrow Black
	Zumex Speed S +plus All-in-One Wide Mirror
	Zumex Speed S +plus All-in-One Narrow Mirror
	Zumex Speed S +plus Tank All-in-One

Prima di iniziare, ti consigliamo di tenere conto delle seguenti precauzioni:

- I dati specifici della macchina spremiagrumi Zumex (tensione, frequenza, e altri dati di interesse) sono disponibili sull'Etichetta Identificativa che si trova sulla macchina stessa.
  - Per eventuali consultazioni tecniche, contattare il Distributore abituale / Servizio di Assistenza Tecnica Ufficiale e indicare il Numero di Serie dell'Etichetta Identificativa della macchina.
  - Zumex adotta le misure necessarie per fare in modo che le macchine messe sul mercato siano raccolte in modo selettivo e ricevano una adeguata gestione ambientale. Si prega di mettersi in contatto con il distributore autorizzato di Zumex per smaltire correttamente queste macchine.
- Non intervenire sulla macchina se sprovvista degli elementi di sicurezza.**
- Questo apparecchio può essere utilizzato da bambini di età pari o superiore a 8 anni e da persone con ridotte capacità fisiche, sensoriali o mentali o mancanza di esperienza e conoscenza, a condizione che siano sorvegliati e istruiti in merito all'utilizzo sicuro dell'apparecchio e siano consapevoli dei rischi connessi.
  - Assicurarsi che i bambini non giochino con la macchina.
  - La pulizia e la manutenzione non possono essere realizzate da bambini senza la supervisione di un adulto.
  - Questa macchina, nella parte posteriore, è dotata di un morsetto per il collegamento della Messa a Terra di altri apparecchi alla Messa a Terra dell'impianto. Per utilizzarlo,



allentare i dadi e le rondelle, inserire il cavo di Messa a Terra dell'apparecchio ausiliare e riserrare i dadi e le rondelle. Tale punto di equipotenzialità è contrassegnato dal seguente simbolo:



- Non pulire l'apparecchio con getti d'acqua.
- Questa macchina è stata **progettata per la spremitura di agrumi dalle dimensioni indicate in questo manuale**: Arance, Mandarini, Lime e Pompelmi.
- Non utilizzare frutta diversa da quella specificata nel manuale.
- Durante la pulizia, manutenzione o sostituzione di pezzi, assicurarsi che la spina del cavo di alimentazione sia sempre staccata dalla presa di corrente e ben visibile.
- Per evitare di tagliarsi, maneggiare gli elementi di taglio con molta attenzione.
- I pezzi che sono a contatto con alimenti devono essere puliti seguendo le istruzioni che si trovano nel capitolo dedicato alla pulizia.

- Se il cavo di alimentazione è danneggiato, deve essere sostituito da un cavo o da un dispositivo speciale che dovrà essere fornito dal produttore o dal suo servizio post-vendita.
- La macchina ha un proteggicavo in dotazione per evitare di staccare accidentalmente il cavo. Per garantire la sicurezza della macchina, assicurarsi che la protezione sia collocata come indicato sulle istruzioni.

Le istruzioni possono essere aggiornate in qualsiasi momento. È possibile consultare le istruzioni aggiornate nel nostro sito web [www.zumex.com](http://www.zumex.com), all'interno della sezione dedicata al modello scelto.

**Per eventuali suggerimenti o commenti volti a migliorare le nostre macchine o la nostra rete di servizio, si prega di contattare direttamente Zumex al seguente indirizzo:**

 **ZUMEX GROUP, S.A.**

Polígono Ind. Moncada III C/Molí 2. 46113 Moncada. Valencia. Spagna.

Tel. +34 961 301 251 · Fax: +34 961 301 255

zumex@zumex.com / [www.zumex.com](http://www.zumex.com)

**ZUMEX SERVICE**

Tel. +34 960 800 999 · [service@zumex.com](mailto:service@zumex.com)



## Caratteristiche tecniche

Modello	Peso		Dimensioni   Larghezza x Profondità x Altezza		
Speed Pro Basic	66.3 Kg	146.1 lb	593 x 584 x 980 mm	23.3" x 23" x 38.6"	
Speed Pro Cooler Podium	116.1 Kg	259.6 lb	675 x 727 x 1837 mm	26.6" x 28.7" x 72.3"	
Speed Up	76.7 Kg	169.2 lb	593 x 624 x 1050 mm	23.3" x 24.6" x 41.3"	
Speed Up All-in-One Wide Black	133 Kg	293.3 lb	810 x 682 x 1775 mm	31.9" x 26.8" x 69.9"	
Speed Up All-in-One Narrow Black	129.1 Kg	284.7 lb	710 x 682 x 1775 mm	28" x 26.8" x 69.9"	
Speed Up All-in-One Wide Mirror	122.1 Kg	269.3 lb	805 x 709 x 1774 mm	31.7" x 27.9" x 69.8"	
Speed Up All-in-One Narrow Mirror	113.3 Kg	249.8 lb	700 x 709 x 1774 mm	27.5" x 27.9" x 69.8"	
Speed S +plus	83.5 Kg	184.1 lb	593 x 665 x 1050 mm	23.3" x 26.2" x 41.3"	
Speed S +plus All-in-One Wide Black	131.5 Kg	290 lb	810 x 682 x 1775 mm	31.9" x 26.8" x 69.9"	
Speed S +plus All-in-One Narrow Black	127.6 Kg	281.4 lb	710 x 682 x 1775 mm	28" x 26.8" x 69.9"	
Speed S +plus All-in-One Wide Mirror	120.6 Kg	266 lb	805 x 709 x 1774 mm	31.7" x 27.9" x 69.8"	
Speed S +plus All-in-One Narrow Mirror	111.8 Kg	246.5 lb	700 x 709 x 1774 mm	27.5" x 27.9" x 69.8"	
Speed S +plus Tank All-in-One	110.1 Kg	242.8 lb	675 x 699 x 1755 mm	26.6" x 26.3" x 69.1"	

### ALTRE CARATTERISTICHE (Tutti i modelli)

Tensione	100 V   50-60 Hz	120 V   60 Hz	220-240 V   50-60Hz
Potenza	350 W (560 W Cooler)	320 W (560 W Cooler)	460 W (560 W Cooler)
Consumo	3.5 A (4.87 A Cooler)	2.7 A (4.87 A Cooler)	2 A (2.4 A Cooler)
Arance al minuto	36/43	40	37/40
Frutti*	Arance, mandarini, lime, pompelmi		
Calibro frutta	65-81 mm (45-67 mm con Kit S)		
Capacità alimentatore	20 kg / 44 lb		
Protezione	IPX4		
Livello di pressione acustica	Minore 70 dB(A)		

\* Per altri tipi di frutta verificare sempre con il rivenditore più vicino.

## Istruzioni per l'uso

### Preparazione

Per iniziare la spremitura è necessario seguire i seguenti passi:

- 1 Togliere la macchina spremiagrumi dall'imballaggio e posizionarla su una superficie il più orizzontale possibile.
- 2 Verificare che la tensione della rete di alimentazione coincida con quella indicata sull'etichetta identificativa della macchina, che si potrà trovare sulla macchina stessa.
- 3 Assicurarsi che non vi siano ostacoli che rendano difficile la procedura di disimballaggio.
- 4 Prima del primo utilizzo, si consiglia di pulire il sistema di spremitura. Vedere la sezione "Pulizia".

### Disimballaggio e messa in servizio

Seguire le istruzioni in base al modello di macchina acquistato. I seguenti componenti possono trovarsi sciolti e devono essere montati qualora non lo siano:

#### Speed Pro Basic

Uscita laterale carter destro (2), Uscita laterale carter sinistro (3), Cavo di alimentazione (15), Guaina cavo (16), Vaschetta succo plastica (30), Filtro interno plastica (31), Filtro succo plastica (32), Vaschetta bucce (33), Vaschetta raccogliocce (34).

Vedere Figura 1 e 2.

#### Speed Pro Cooler Podium

Uscita laterale carter destro (2), Uscita laterale carter sinistro (3), Cavo di alimentazione (15), Guaina cavo (16), Vaschetta succo plastica (30), Filtro interno plastica (31), Filtro succo plastica (32), Sistema Refrigerante (70), Galleggiante Tank/Cooler (52).

Vedere Figura 1 e 6. Ver apartado Podium Cooler (100) per informazioni sul mobile della macchina.



### Speed Up

Uscita laterale carter destro (2), Uscita laterale carter sinistro S +plus (3+), Cavo di alimentazione (15), Guaina cavo (16), Vaschetta succo SS (40), Sottofiltro SS (41), Sistema PulpOut Automatico (42+), Rubinetto SS Up (44U).

Vedere Figura 1 e 3U.

### Speed Up All-in-One

Uscita laterale carter destro (2), Uscita laterale carter sinistro S +plus (3+), Cavo di alimentazione (15), Guaina cavo (16), Vaschetta succo SS (40), Sottofiltro SS (41), Sistema PulpOut Automatico (42+), Rubinetto SS Up (44U).

Vedere Figura 1 e 4U. Ver apartado Podium Mirror e Podium Black (90) per informazioni sul mobile della macchina.

### Speed S +plus

Uscita laterale carter destro (2), Uscita laterale carter sinistro S +plus (3+), Cavo di alimentazione (15), Guaina cavo (16), Vaschetta bucce (33), Vaschetta raccogliocce (34), Vaschetta succo SS (40), Sottofiltro SS (41), Sistema PulpOut Automatico (42+), Rubinetto SS S +plus (44+), Supplemento macchina (47).

Vedere Figura 1+ e 3+.

### Speed S +plus All-in-One

Uscita laterale carter destro (2), Uscita laterale carter sinistro S +plus (3+), Cavo di alimentazione (15), Guaina cavo (16), Vaschetta succo SS (40), Sottofiltro SS (41), Sistema PulpOut Automatico (42+), Rubinetto SS S +plus (44+).

Vedere Figura 1+ e 4+. Ver apartado Podium S +plus All-in-One (90+) per informazioni sul mobile della macchina.

### Speed S +plus Tank All-in-One

Uscita laterale carter destro (2), Uscita laterale carter sinistro S +plus (3+), Cavo di alimentazione (15), Guaina cavo (16), Sistema PulpOut Automatico (42+), Serbatoio succo Tank (50), Sottofiltro Tank (51), Galleggiante Tank/Cooler (52), Tank (53), Agitatore (54), Rubinetto Tank (55).

Vedere Figura 1+ e 5+. Ver apartado Podium Speed S +plus Tank All-in-One (90) per informazioni sul mobile della macchina.

### Drain&Clean System (80)

Se hai acquistato un modello Podium, la tua macchina sarà dotata del Sistema Drain&Clean. Il sistema funziona come scarico dall'alimentatore al deposito scarti situato all'interno della macchina, in modo da facilitare la pulizia e l'eliminazione degli scarti.

Vedere Figura 7.1 e 7.2.

### Podium Tank S +plus All-in-One (90), Podium Black All-in-One (90+), Podium Mirror All-in-One (90+), Podium Cooler (100)

All'interno del mobile si trovano tutti i componenti che formano il mobile stesso.





## Montaggio e smontaggio dei componenti in base al modello

### Uscita laterale carter destro (2), Uscita laterale carter sinistro (3)

Le Uscite laterali non sono uguali. Assicurarsi di collocare l'Uscita laterale nel lato corretto.

#### Montaggio uscite (Fig. 10).

Rivolgere la parte inferiore dell'uscita laterale e sollevare la parte superiore, ruotando il pomello di 90°.

Montare l'uscita destra ruotando la chiusura verso destra in senso orario.

Montare l'uscita sinistra ruotando la chiusura verso sinistra in senso antiorario.

**!** **Importante!** Le icone posizionate sul componente indicano il senso di rotazione, non forzare la linguetta verso il lato contrario.

Assicurarsi che le uscite laterali siano completamente montate e collocate nella posizione corretta.

#### Smontaggio uscite (Fig. 10)

Smontare l'uscita destra ruotando la chiusura verso di sé in senso antiorario fino a raggiungere la posizione verticale.

Smontare l'uscita sinistra ruotando la chiusura verso di sé in senso orario fino a raggiungere la posizione verticale.

### Carter (1)

#### Montaggio copertura (Fig. 10.1)

Verificare che i pomelli degli assi della macchina siano girati in posizione perpendicolare al pavimento (aperto).

Sostenere il corpo della copertura dalle cavità delle uscite, far combaciare i fori passanti con i pomelli e premere verso l'interno fino al completo inserimento. Ruotare i pomelli di 90° in senso orario per fissare la copertura.

**!** **Importante!** Non forzare il montaggio se i perni non sono perfettamente allineati, evitando eventuali danni al componente.

#### Smontaggio copertura (Fig. 10.1)

Ruotare i pomelli di 90° fino all'allineamento con i fori passanti della copertura.

Rimuovere la copertura con un movimento orizzontale sostenendola con entrambe le mani dalle cavità lasciate dalle uscite.

**!** **Importante!** Non forzare la rimozione se i perni non sono perfettamente allineati, evitando eventuali danni al componente.

### Tamburo maschio plastica (4), Tamburo femmina plastica (5)

Disporre i tamburi sugli assi (Fig. 1)

Se hai acquistato un modello Speed S +plus, ti preghiamo di leggere il paragrafo *Kit 1Step (19+)*.  
Disporre sempre un tamburo maschio e un tamburo femmina dello stesso lato, allo stesso tempo, per agevolare l'incastro.

### Vite di sicurezza plastica iniezione (6)

Avvitare le viti di sicurezza per fissare i tamburi e il piatto alimentatore (Fig. 1).

Se hai acquistato un modello Speed S +plus, ti preghiamo di leggere il paragrafo *Kit 1Step (19+)*.

### Estrattore di bucce sinistro (7), Estrattore di bucce destro (8)

#### Montaggio estrattori (Fig. 21).

Collocare gli estrattori nel lato corrispondente inserendoli nei pomelli. Spingere gli estrattori fino al completo inserimento della paletta nel rullo maschio e fino al contatto del canale con il secondo pomello.

**!** **Importante!** L'inserimento erraneo dell'estrattore potrebbe danneggiare il componente durante il funzionamento della macchina.

Se dispone di un modello Speed S +plus, leggere la sezione *Kit 1Step (19+)*.

#### Smontaggio estrattori (Fig. 21)

Tirare l'estrattore verso l'esterno fino rimuoverlo completamente.

**!** **Importante!** Smontare gli estrattori prima di qualsiasi altra parte del gruppo di spremitura.

### Portalama (9)

Disporre con attenzione la lama sulla guida e premere verso l'interno (Fig. 1).



### Portalama S <sup>+plus</sup> (9+)

Disponi con attenzione la lama sulla guida e premi verso l'interno (**Fig. 1+**).

**Nota:** inseriscilo sempre prima di mettere il Kit 1Step

### Cesta alimentatore (13)

La cesta alimentatore può essere rimosso e ri-attaccato rivolto guide e facendo un leggero movimento fino all'arresto (**Fig. 1**).

### Portacesta alimentatore (14)

La cesta alimentatore dispone di sportello facile da aprire per poter riempire facilmente la cesta di arance (**Fig. 1**).

### Cavo di alimentazione (15)

Verificare che il cavo di alimentazione sia collegato alla macchina e protetto mediante il fermacavi (**Fig. 1**).

### Guaina cavo con 3 viti (16)

Il fermacavi fissa il cavo alla macchina mediante tre viti (**Fig. 1**).

### Guarnizione serbatoio Self Service/Tank 6.3 x 3.5 (17)

In caso di necessità questa guarnizione può essere rimossa facilmente per provvedere alla sua pulizia e inserita di nuovo manualmente (**Fig. 1**).

### Bullone vaschetta (18)

Questo componente necessita di intervento solo in caso di richiedere una Vaschetta succo SS (40) o Vaschetta succo Tank (50) di ricambio (**Fig. 1**). Una volta inserita la vaschetta di ricambio, regolare il bullone dalla parte posteriore per regolare la posizione della vaschetta.

### Kit 1Step (19+)

Questo set consente la rimozione e l'inserimento di tamburi e estrattori di bucce in un solo passaggio (**Fig. 1+**).

Prima di posizionarlo ricordati di inserire il Portalama S +plus (9+).

Per posizionarlo, allinea i tamburi con gli assi e regola la posizione appena li avrai inseriti completamente. Usa la ruota centrale per avvitare il gruppo alla macchina.

**Nota:** Per la rimozione procedere in ordine inverso.

### Montaggio del Kit 1Step (19+)

- Collocare il supporto posteriore (19.2+) su una superficie. I supporti in metallo degli estrattori devono essere rivolti verso il basso.
- Far corrispondere i rulli maschio e femmina (4 e 5). Inserire le basi circolari dei rulli nei fori del supporto. Tenere presente che i lati dei rulli sono diversi. Assicurarsi di montarli come mostrato nella figura.
- Inserire i coni sporgenti dei rulli di spremitura nelle quattro boccole circolari del supporto anteriore (19.1+).
- Unire entrambi i supporti con il Volano plastica iniezione (6).
- Ruotare di 180° il kit 1step e inserire gli estrattori (7 e 8) sui supporti degli estrattori inserendo la paletta spremitrice all'interno della giuntura del rullo maschio. Assicurarsi che entrambi i supporti siano all'interno del canale dell'estrattore come mostrato nella figura 4.

### Smontaggio del Kit 1Step (19+)

- Nella posizione della figura 4, rimuovere gli estrattori (7 e 8) tirandoli lateralmente per rimuoverli dai supporti in metallo.
- Ruotare di 180° il kit e svitare il Volano plastica iniezione (6) situato tra i rulli e che sostiene entrambi i supporti in metallo (19.1+ e 19.2+).
- Estrarre con cautela il supporto anteriore (19.1+).
- Separare i rulli maschio (4) e i rulli femmina (5).

**Nota:** Per la pulizia, consultare la sezione *Pulizia*.



### Vaschetta succo plastica (30)

Assicurarsi che la guarnizione di tenuta sia correttamente montata sulla vaschetta (Fig. 11). Dopodiché posizionare la vaschetta sulla macchina. Allineare e installare verso il basso la vaschetta sulle quattro sporgenze della macchina (Fig. 2).

### Filtro interno plastica (31)

Disponlo all'interno della vaschetta di spremitura (Fig. 2).

### Filtro succo plastica (32)

Disponlo all'interno della vaschetta di spremitura (Fig. 2).

### Vaschetta bucce (33)

Disponere le vaschette delle bucce sotto le uscite laterali del carter (Fig. 2 o 3U in base al modello).

### Vaschetta raccogliocce (34)

Disponila sotto l'uscita del succo (Fig. 2 o 3U in base al modello).

### Vaschetta succo Self Service (40)

#### Montaggio (Fig. 12).

Inserire il Tubo rilevatore dell'erogatore (45) nel foro situato nella parte posteriore della vaschetta. Far scorrere fino all'inserimento dei perni di fissaggio della vaschetta nel foro dei fermi. Premere con la mano destra sulla parte anteriore della vaschetta fino allo scatto del fermo, poi con la mano sinistra fino allo scatto del fermo sinistro. Assicurarsi che sia perfettamente agganciata tirandola delicatamente verso l'esterno.

**! Importante!** Un fissaggio erraneo della vaschetta può creare problemi di tenuta e piccole perdite di succo. Assicurarsi sempre che sia perfettamente inserita nel corpo della macchina e che il profilo della vaschetta sia in condizioni ottimali.

**Nota:** Per assicurare un corretto fissaggio della vaschetta, si raccomanda di mantenere i perni di fissaggio privi dei residui di succo e/o di sporco. Applicare un prodotto detergente (Zumex Citric Active) sia sui fori di fissaggio della vaschetta che nella parte interna come indicato nell'immagine 3 (Fig. 12). Lasciare in posa il prodotto per 1 minuto. Azionare ripetutamente i perni e rimuovere il prodotto con una spugna pulita.

#### Smontaggio (Fig. 12).

Per smontare la vaschetta, stringere contemporaneamente il perno destro e sinistro. Far scorrere la vaschetta per rimuoverla.

### Sottofiltro Self Service (41)

Disponlo all'interno della vaschetta di spremitura (Fig. 3U).

### Sistema PulpOut Automatico (42+)

Questo sistema permette di eliminare la polpa e i semi automaticamente durante il processo di spremitura.

#### Montaggio (Fig. 20.1+ e 20.2+)

- Inserisci i rulli (42.1+) sul trasportatore (42.2+).
- Posiziona il primo rullo sul lato sinistro sui tappi metallici del telaio. Poi allunga il nastro e posiziona l'altro rullo sui tappi sulla destra (Fig. 20.1+).
- Inserisci il coperchio del nastro (42.4+) guidando prima i perni sul lato destro nelle fessure del telaio (42.3+) (Fig. 20.1+). Dopodiché gira il coperchio finché non riposi completamente sul telaio in posizione orizzontale e premi fino all'incastro.
- Premi ai lati del coperchio laterale (42.5+) e incastrali nei fori sul lato sinistro del telaio (Fig. 20.1+). Assicurati che i perni siano completamente inseriti, e che il coperchio ruoti liberamente. Lascialo in posizione verticale.
- Monta il Sistema PulpOut (42+) nella macchina (Fig. 20.2+ e 20.3+). Per fare questo monta il rullo sinistro nel asse motore che si trova sul lato sinistro della macchina. Assicurati che il sistema riposi e sia inserito nei perni della vaschetta.
- Ruota il coperchio para-schizzi (42.6+) alla sua posizione verticale. È possibile smontare il Sistema PulpOut senza dover togliere il coperchio.

**Nota:** Il paraspruzzi deve essere in posizione orizzontale per montare la copertura.

#### Smontaggio (Fig. 20.3+)

Per smontare il PulpOut della macchina, tirare verso l'alto e verso l'esterno. Eseguire le operazioni inverse a quelle indicate nel Montaggio per smontare il kit.



Vedere la sezione *Pulizia* per la corretta manutenzione del Sistema PulpOut.

Puoi vedere la sua collocazione sulle rispettive macchine:

Speed S +plus (Fig. 3+).

Speed S +plus All-in-One (Fig. 4+).

Speed S +plus Tank All-in-One (Fig. 5+).

## Rubinetto Self Service Up (44U), Rubinetto Self Service S<sup>+plus</sup> (44+)

### Montaggio rubinetto Up (13.1)

Sostenere con una mano il dispositivo di centraggio dell'erogatore/supporto delle bottiglie e con l'altra girare il dado del supporto per fissare il tubo della vaschetta.

Allineare l'erogatore con il dispositivo di centraggio dell'erogatore/supporto delle bottiglie e inserire il pulsante tra le palette del supporto. Sostenere l'erogatore con una mano e con l'altra girare il dado di fissaggio dell'erogatore.

### Smontaggio rubinetto Up (13.1)

Sostenere l'erogatore con una mano e con l'altra allentare il dado di fissaggio dell'erogatore. Dopo aver svitato il dado di fissaggio, tirare delicatamente l'erogatore verso l'esterno.

Sostenere il supporto delle bottiglie con una mano e con l'altra svitare il dado del dispositivo di centraggio dell'erogatore/supporto delle bottiglie. Tirare delicatamente per separarlo dalla filettatura della vaschetta.

**! Importante!** smontare l'erogatore e il supporto con entrambe le mani per evitare eventuali cadute e urti durante l'uso.

### Montaggio rubinetto S+plus (14.1+)

Per montare l'erogatore S+plus nella vaschetta, sostenere l'erogatore con entrambe le mani, posizionare il dispositivo di passaggio con il foro nella filettatura della vaschetta e inserire delicatamente l'erogatore. Sostenere saldamente l'erogatore con una mano dal Supporto della bottiglia e con l'altra stringere il dado galleggiante di fissaggio dell'erogatore.

**Nota:** Ricorda di avvitare il dado galleggiante fino a che la filettatura non sia più visibile.

Se non è correttamente posizionato, il sensore dell'erogatore non si attiverà.

### Smontaggio rubinetto S+plus (14.1+)

Sostenere l'erogatore con una mano e con l'altra allentare il dado di fissaggio dell'erogatore.

Dopo aver svitato il dado di fissaggio, tirare delicatamente l'erogatore verso l'esterno.

**! Importante!** manipolare l'erogatore con entrambe le mani, non forzare il dispositivo di passaggio o la filettatura dell'erogatore. Non collocare pesi sull'erogatore.

### Funzionamento dell'erogatore (Fig. 13.2 e 14.2+)

Attivare l'erogatore premendo e rilasciando il pulsante per l'estrazione del succo.

Nell'erogatore SS S +plus (44+), il pulsante è situato sulla parte esterna. È possibile collocare il pulsante nella posizione "canna aperta". Ruotare l'anello con le linee tratteggiate/continue fino a che la linea continua sia sull'icona del bicchiere. Lasciare il pulsante, che resterà bloccato. Per riattivare il pulsante, premere nuovamente.

La macchina Speed S +plus All-in-one è dotata di un supporto per le bottiglie che può essere smontato rimuovendo le due viti posteriori, se necessario.

Nell'erogatore SS Up (44U), il pulsante è situato nella parte interna. È possibile collocare il pulsante nella posizione "canna aperta". Premere completamente il pulsante e spostare la linguetta metallica sul lato del supporto bottiglie/dispositivo di centratura del rubinetto. Lasciare il pulsante, che resterà bloccato. Per riattivare il pulsante, premere nuovamente.

Per la pulizia quotidiana di entrambi gli erogatori, smontare la parte superiore come riportate nelle immagini (**Fig. 13.2 e 14.2+**). L'erogatore Grifo Up si smonta ruotando l'anello in plastica del corpo dell'erogatore e rimuovendo il pulsante. L'erogatore Grifo S+plus si smonta ruotando l'anello in plastica del corpo in metallo.

### Guarnizione tubo sensore (46)

In caso di necessità questa guarnizione può essere rimossa per essere pulita (Fig. 3 o 4).

### Supplemento macchina (47)

Utilizzare questo supplemento per sollevare la macchina (**Fig. 3U o 3+**).

**! Importante!** La macchina non deve essere disposta sul supplemento da una sola persona.

### Vaschetta succo Tank (50)

Allineare le due sporgenze alle estremità della vaschetta e premere. Per agevolare il montaggio ci si può aiutare premendo i pulsanti laterali (**Fig. 15**).

Per smontare la vaschetta in modo semplice, premere i pulsanti laterali e tirare verso di sé.



### Sottofiltro Tank (51)

Disponibile all'interno della vaschetta di spremitura (Fig. 5+).

### Galleggiante Tank/Cooler (52)

#### Modello Tank

- Se il supporto con galleggiante è allentato, allenta i pomoli del supporto (Fig. 16 (1)).
- Allinea le sporgenze del supporto con la parte inferiore del coperchio (Fig. 16 (2)).
- Serra i pomelli (Fig. 16 (2 e 3U)).
- Se devi fare una pulizia accurata, rimuovi i pezzi come indicato, in ordine inverso alla procedura descritta sopra, e rimuovi l'asse (Fig. 16 (4)).

#### Modello Cooler o Tank

Allentare le sporgenze superiori. Allineare la piastra ai fori dalla parte inferiore. Serrare nuovamente le sporgenze superiori (Fig. 18).

### Tank (53)

Una volta chiuso far scivolare sulle guide del mobile (Fig. 5+).

### Rubinetto tank (55)

Utilizzare la vite per fissare il rubinetto Self Service alla vaschetta Tank. Assicurarsi di orientarla in modo verticale (Fig. 17.1).

Il rubinetto Tank può funzionare in modo continuo o discontinuo, semplicemente girando la maniglia di 180° e rimarrà bloccato quando si abbassa la leva, permettendo il flusso continuo.

Per provvedere alla pulizia, si può smontare la parte superiore del rubinetto Self Service (Fig. 17.2).

### Sensore di livello (56)

Questo componente necessita di intervento solo se si richiede un ricambio. Ricordare di posizionare il sensore nella stessa posizione del sensore originale. Se si dispone di una macchina Tank, il sensore resta nella parte superiore, se si dispone di una macchina Cooler il sensore rimane nella parte inferiore (Fig. 5+ o 6).

### Sistema refrigerante (70)

Disporre il sistema refrigerante sull'apposito vano del mobile (Fig. 6).

Montare i componenti così come indicato nella Fig. 18 in questo ordine:

- Montare il pistone-guarnizione e la leva sul serbatoio seguendo i movimenti numerati secondo il disegno allegato.
- Mettere il serbatoio.
- Regolare il coperchio pompa all'interno del serbatoio con la freccia rivolta verso di sé.
- Fissare la piastra di attacco metallica assicurando con questa il serbatoio.

### Podium Tank S <sup>+plus</sup> All-in-One (90), Podium Black All-in-One (90+), Podium Mirror All-in-One (90+), Podium Cooler (100)

Disposizione della macchina sul mobile display:

**!** **Importante!** Questa operazione deve essere realizzata da 2 o 3 persone. Non deve mai essere realizzata da una sola persona.

Bloccare con il pedale del freno le ruote anteriori del mobile per evitare che si muova durante l'installazione.

Una volta tolto il mobile dal suo imballaggio, rimuovere le viti dalle squadre di fissaggio e metterle da una parte per utilizzarle successivamente. Vedere dettaglio "A" della Fig. 8.

All'interno del mobile si trovano le cadute bucce e la vaschetta raccogliocce del mobile con il suo filtro.

Disporre la macchina sul mobile, facendo coincidere gli angoli interni della base della macchina con i tasselli di gomma del mobile, in questo modo coincideranno i fori delle squadre di fissaggio con quelli della macchina. Adesso si potrà fissare la macchina con le viti messe precedentemente da parte (Vedere Fig. 5+ o 6).

#### Ricordare:

La macchina e il mobile display sono uniti dalle viti fornite, così come indicato in questo manuale di istruzioni.este manual de instrucciones.

### Particolarità per Podium Tank S <sup>+plus</sup> All-in-One (90)

Per i mobili Self Service e Tank fissare la vaschetta raccogliocce con il suo filtro al mobile display.



Il componente 90.7 varia in base al modello del mobile acquisito:

Mobile Self Service: Componente Filtro mobile SS (90.7A).

Mobile Tank: Componente Guide vaschetta Tank (90.7B).

La posizione dei componenti Frontalino vaschetta (90.8) e Filtro serbatoio (90.9), può essere regolata per poter adattarsi ai vari formati di bottiglie e bicchieri.

#### Particolarità per Podium Black e Mirror Wide All-in-One (90+)

Il Podium SS S +plus (90+) contiene due depositi di residui indipendenti.

**Ricorda** sempre di sistemare i due depositi.

#### Particolarità per Podium Cooler (100)

Vedere Fig. 6 e 9.1 per la corretta disposizione dei componenti.

Passare il cavo di tensione del Sistema Refrigerante, dal foro dello sportello posteriore. Per fare ciò, svitare lo sportello, se necessario (**Fig. 9.2**).

#### Montaggio Drain&Clean System:

**!** **Importante!** Scollegare la macchina dalla prese di corrente.

#### Podium Tank All-in-One (90)

Se fossero installati, rimuovere la Caduta bucce (90.6), il Filtro mobile SS (90.7A) e la Tramoggia mobile (90.3) (**Fig. 8**). Aprire lo sportello anteriore. Se installati, rimuovi le Viti di sicurezza plastica iniezione (6), e il Coperchio Mobile SS / Tank (80.5).

Cercare il foro superiore (**Fig. 7.2**) e inserire la mano prendendo il Tubo flessibile (80.4) e inserendolo nel foro (**Fig. 7.1**). Non tirare o fissare nessun'altra parte della macchina.

Dopodiché mettere il coperchio inferiore del tubo con le due vite di sicurezza fornite, e rimettere tutti i pezzi precedentemente smontati (**Fig. 7.2**).

Vedere il disegno esploso per disporre i componenti (**Fig. 8**).

#### Podium Black e Mirror All-in-One (90+)

Apri gli sportelli anteriori e rimuovi i depositi degli scarti (**Fig. 8.1 e 8.2**). Se installati, rimuovi le Viti di sicurezza plastica iniezione (6), e il Coperchio Mobile SS / Tank (80.5).

Cercare il foro superiore (**Fig. 7.2**) e inserire la mano prendendo il Tubo flessibile (80.4) e inserendolo nel foro (**Fig. 7.1**). Non tirare o fissare nessun'altra parte della macchina.

Dopodiché mettere il coperchio inferiore del tubo con le due vite di sicurezza fornite, e rimettere tutti i pezzi precedentemente smontati (**Fig. 7.2**).

Vedere il disegno esploso per disporre i componenti (**Fig. 8.1 e 8.2**).



## Funzionamento Generale

Una volta installata la macchina correttamente e prima di collegarla alla presa di corrente, verificare i dati elettrici con quelli della fornitura elettrica. Se tutto è corretto, collegare la macchina alla tensione di rete.

Per accendere la macchina, premere il pulsante verde **ON**, e si accenderà il LED del pulsante **ON/OFF** e il display digitale della macchina.

**Prima di far funzionare la macchina con arance, è necessario effettuare una taratura della macchina a vuoto. Per far ciò si deve entrare nella sezione di taratura all'interno del MENÙ CLIENTE, oppure lasciare la macchina in funzione a vuoto per 1 minuto circa fino a quando si arresta.**

Per un corretto conteggio, può essere necessario regolare il parametro Offset, dopo la taratura della macchina.

**Caso 1:** Non conta tutte le arance. Ridurre il valore di Offset.

**Caso 2:** Conta troppe arance. Aumentare il valore di Offset.

Per fare ciò, entrare in **MENÙ>5.Taratura>2.Offset** e regolare il valore. Uscire dal Menù e verificare prima il conteggio a vuoto, e dopo con 2 o 3 arance. Ripetere la procedura fino a trovare il valore che permette il corretto conteggio della macchina.

Per evitare eventuali errori di conteggio, evitare di lasciare la macchina ferma con un'arancia incastrata nel tamburo maschio e nel tamburo femmina.

In tutti i modelli si mostra il contatore di arance. (Errore +/-1%)

Ricordare di utilizzare una Caraffa o un Bicchiere all'uscita del succo della macchina.

Qualora manchi un qualche elemento di sicurezza, la macchina non funzionerà fino a quando questo non sarà ripristinato.

**In caso di necessità, si può spegnere la macchina nel seguente modo:**

- A** Rilasciando l'azionatore usato. Per esempio il rubinetto.
- B** Premendo il tasto **STOP**.
- C** Premendo il pulsante rosso **OFF**.
- D** **Solo in caso di emergenza:** Scollegando la macchina direttamente dalla presa di corrente.
- E** Se la macchina non rileva arance, questa si fermerà dopo 60" circa dal passaggio dell'ultima arancia.

## Caricamento dell'alimentatore

Per caricare l'alimentatore della macchina con arance, aprire lo Sportello cesta alimentatore (14) e riempire parzialmente con arance. Chiudere lo sportello e finire di riempire la cesta.

## Sistema di spremitura

Assicurarsi che la macchina abbia montato tutti gli elementi che permettono il taglio dell'arancia, la spremitura del succo e la raccolta di quest'ultimo. A tale scopo, consultare il modello di macchina acquistato con la Fig. indicata nel paragrafo: *Disimballaggio e messa in servizio. Montaggio e smontaggio dei componenti in base al modello.*

Controllare lo stato delle vaschette e del filtro per garantire un succo di qualità.

Se hai acquistato una macchina con Kit di Estrazione (19+) potrai introdurre ed estrarre il sistema di spremitura insieme in un solo passaggio.

## Raccolta del succo

Se disponi di una macchina con:

- Sistema PulpOut (42+), la polpa e gli scarti dei semi verranno eliminati dal lato sinistro della macchina.
- Rubinetto SS Up (44U) o Rubinetto Tank (55), leggere le istruzioni per l'uso del rubinetto Self Service al paragrafo *Montaggio e smontaggio dei componenti in base al modello.*
- Riempimento automatico, la macchina si arresterà automaticamente quando arriva al livello massimo. Ricordare di posizionare correttamente il Galleggiante Tank/Cooler (52), seguendo le istruzioni di montaggio. È possibile selezionare anche la quantità di riempimento.

## Area scarti

Assicurarsi che gli elementi incaricati della raccolta delle bucce siano correttamente posizionati.

Controllare il livello di riempimento dei depositi per evitare che fuoriescono le bucce.

È possibile, inoltre, utilizzare la nuova funzione **Limite residui**, che permette di programmare un allarme che arresta la macchina quando la vaschetta delle bucce è piena.

È possibile impostare il numero di arance spremute dopo le quali si desidera che scatti l'allarme. Una volta spremuto il numero di arance programmato, la macchina si arresterà e il display avviserà l'utente di svuotare la vaschetta delle bucce.



Se hai acquistato una macchina con Podium, le bucce cadranno direttamente nel Carrello scarti (90.4) o Deposito bucce (100.3).

Per spegnere l'allarme, premere il pulsante **OK** per 2", circa fino a quando si arresta

#### Ricordare!

"Ok breve", non disattivare l'allarme.

"Ok lungo", doppio "beep", per spegnere l'allarme.

Per disattivare l'allarme in modo permanente, deve entrare nella sezione di Limite residui all'interno del **MENÙ CLIENTE**.

In caso di spegnimento o scollegamento della macchina, l'allarme bucce sarà eliminato e rinizierà da zero.

### Azionamento della macchina



#### Generale

In tutti i modelli potrai fare funzionare la macchina in modo **Professionale** o in modo **Automatico**. Per passare da una modalità all'altra, tenere il tasto **Mode** premuto per qualche istante. Tutte le volte che si passa da modalità Automatica a Professionale chiederà di programmare il numero di arance da spremere. Qualora non si voglia modificare la quantità, attendere solo alcuni secondi o premere velocemente il tasto **OK**. In caso di voler modificare la quantità, premere i tasti + - per selezionare la quantità, e dopodiché premere il tasto **OK** fino a quando appare il simbolo di **Registrazione**.

### Modello Speed Pro Basic




#### MODALITÀ AUTOMATICA

Dalla modalità automatica:

-  **START** Si avvia la macchina
-  **STOP** Si arresta la macchina

Funzionamento ininterrotto.

#### MODALITÀ PROFESSIONALE

- Numero minimo di arance  1
- Numero massimo di arance  12
- Valore di default  3

Funzionamento fino a raggiungere la quantità impostata.

### Speed Pro, Speed Up, Speed S <sup>+plus</sup> Speed Up All-in-One, Speed S <sup>+plus</sup> All-in-One

Il tasto **START** non è attivo. Solo lo è nella modalità **MANUALE**.




#### MODALITÀ AUTOMATICO

Controllo dal Rubinetto SS Up (44U)/  
Rubinetto SS S +Plus (44+).

Funzionamento ininterrotto,  
mentre il rubinetto è premuto.

#### MODALITÀ PROFESSIONALE

Controllo dal rubinetto mentre è premuto.

- Numero minimo di arance  1
- Numero massimo di arance  12
- Valore di default  3

#### MODALITÀ MANUALE

(Nel caso in cui il rubinetto non funzioni)




In Modalità Manuale il tasto **START** è attivo.

Nella modalità manuale continua a funzionare in modalità Automatica e Professionale dalla tastiera.

#### MANUALE "AUTOMATICO"

Funzionamento ininterrotto.

#### MANUALE "PROFESSIONALE"

- Numero minimo di arance  1
- Numero massimo di arance  12
- Valore di default  3

Il tasto **STOP** è sempre in funzione.





### Rubinetto Self Service Up (44U), Rubinetto Self Service S <sup>+plus</sup> (44+).

Hai acquistato un rubinetto multifunzione. Ti permette di erogare succo in modo discontinuo o in modo continuo senza necessità di tenere premuto il pulsante.

Vedere le varie possibilità nel paragrafo: Montaggio e smontaggio dei componenti in base al modello, Rubinetto SS Up (44U), Rubinetto SS S <sup>+plus</sup> (44+).

### Speed S <sup>+plus</sup> Tank Podium (90), Speed Pro Cooler Podium (100)

Assicurarsi sempre che il Tank (53) o Serbatoio (70.6) sia posizionato il più vicino possibile al sensore che si trova nella base. Assicurarsi che il galleggiante sia posizionato sul coperchio in modo corretto e si muova liberamente (Fig. 5+ e 6).

Se il Galleggiante Tank/Cooler (52) non è installato, la macchina non funzionerà (Fig. 16).

<b>MODALITÀ AUTOMATICA</b>	1
Quando si collega la macchina all'inizio della giornata, premere il pulsante <b>START</b> per avviare la macchina.	
La macchina inizia a spremere fino a quando il serbatoio si riempie e il Sensore di livello (56) non trova il Galleggiante Tank/Cooler (52). In questo momento la macchina si arresta.	2
Quando il livello di succo si abbassa di nuovo, la macchina si rimetterà in funzione dopo 15" dal momento in cui non rileva più il galleggiante, e così successivamente in modo automatico.	3
Se non si è premuto <b>STOP</b> , appare il disegno del serbatoio pieno e semipieno, indicando che anche se la macchina è in modalità automatica, è ferma in attesa che si svuoti il serbatoio, per iniziare nuovamente il processo di riempimento. Premendo <b>STOP</b> sparisce il disegno, e la macchina smette di funzionare.	4

<b>MODALITÀ PROFESSIONALE</b>	1
La macchina si avvierà premendo <b>START</b> e si fermerà quando il Sensore di livello (56) non rileva il Galleggiante Tank/Cooler (52) o raggiunga la quantità impostata. Quando il livello si abbassa di nuovo, la macchina non si riavvierà se non si preme <b>START</b> .	
Sono disponibili 3 volumi diversi di riempimento, in base alle necessità di succo.	2

<b>MODALITÀ MANUALE</b> (Qualora il sensore non funzioni)	
Nel caso in cui il Sensore di livello (56) non funzioni, si deve entrare nel menù e attivare la <b>MODALITÀ MANUALE</b> . In questo modo sarà possibile disporre di tutta le funzioni della macchina senza il sensore, fino a quando non sia stato riparato.	
<b>MANUALE "AUTOMATICO"</b>	1
Funzionamento ininterrotto.	
<b>MANUALE "PROFESSIONALE"</b>	2
Programmare la quantità di arance da spremere. La macchina si arresterà quando arriva al valore selezionato o quando si preme il tasto <b>STOP</b> .	
<b>Ricordare!</b> In modalità manuale si deve controllare il livello di succo per evitare che trabocchi, visto che la funzione di livello è annullata.	



## Speed Pro Cooler: Unidad refrigerante

Accendere il sistema refrigerante azionando l'interruttore che si trova alla sinistra dell'uscita di succo del serbatoio. È possibile regolare la temperatura del succo tramite il regolatore situato a destra, girandolo in senso orario per abbassare la temperatura e **in senso antiorario per aumentarla**.

Azionare la leva del serbatoio per riempire un bicchiere o una caraffa.

**! Importante!** Ricorda di spegnere il (70) Sistema refrigerante quando spegni la macchina principale, per evitare consumi inutili.

## Configurazione

La macchina spremiagrumi Zumex **Speed** permette di regolare i parametri secondo le proprie preferenze.

Si può scegliere e programmare la modalità di funzionamento della macchina utilizzando il dispositivo elettronico. Con questo, sarà possibile controllare attributi e funzioni seguendo i **MENÙ** allegati.

Per entrare nel **MENÙ** è necessario premere i tasti **STOP** e **MODE** per almeno 2" e inserire il PIN di default (0000). Quindi premere il tasto **OK** almeno 2 secondi per confermare il PIN.

Una volta all'interno si può configurare:

**LINGUA:** Puoi selezionare una delle 23 lingue disponibili.

**PIN:** Vedere o cambiare il PIN attuale in modo che nessuno possa modificare i parametri della macchina.

**CONTATORE:** Vedere il contatore totale o parziale della macchina. Azzerare il contatore parziale visibile sulla schermata principale. Per azzerare il contatore della macchina, premere i tasti **STOP+START** per 3" fino a quando il contatore è a 0000000.

**CREDITO** e la macchina si bloccherà quando raggiunga il credito prefissato fino a quando si programmi di nuovo la quantità.

**BLOCCO DI MODALITÀ:** si può fare in modo che la macchina funzioni unicamente in modalità Automatica, Professionale e anche che non sia possibile cambiare il numero di arance o il volume da spremere affinché si sprema solamente la quantità stabilita.

**MODALITÀ MANUALE (Modalità di aiuto):** Nei modelli di macchina dotati di un azionatore o un sensore di funzionamento ausiliare, è possibile annullare selezionando la modalità **MANUALE** [Modello Self Service: Rubinetto SS Up (44U). Modello Tank e Cooler: Sensore di livello (56)].

**SISTEMA PULPOUT:** Puoi attivare il Sistema PulpOut per l'eliminazione automatica della polpa e dei semi. Puoi scegliere tra la modalità d'uso continua o discontinua.

La **modalità continua** elimina la polpa durante tutto il tempo della spremitura. Allunga l'autonomia del sistema, e di conseguenza, il tempo d'uso prima di doverla pulire.

La **modalità discontinua** permette un tempo di filtrazione della polpa più esteso.

Si può scegliere la frequenza con cui il sistema si attiva, a seconda del tipo di agrumi utilizzati e la quantità di polpa. Una frequenza rapida attiverà il sistema in intervalli temporali minori.

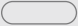



In questo modo, il nastro si attiverà a seconda del programma scelto, dopo i seguenti cicli di spremitura:



È inoltre possibile attivare la funzione "Pulizia automatica", che consente al nastro di pulirsi automaticamente dopo l'ultima spremitura. In modalità discontinua, la funzione "Pulizia automatica" si attiva 30 secondi dopo l'ultima spremitura.



Nel Display Digitale, questi sono alcuni esempi di visualizzazione:

-  Modo continuo
-  Modo discontinuo velocità intermedia
-  Modo continuo con funzione "Pulizia automatica"
-  Modo discontinuo velocità rapida con funzione "Pulizia automatica"

In qualsiasi situazione stia funzionando il sistema PulpOut, premendo il tasto **STOP** questo si arresterà. Nel funzionamento continuo con "Pulizia Automatica" è necessario premere due volte il tasto **STOP**, per poter arrestare la macchina, e un'altra volta per fermare la fase di pulizia automatica.

**LIMITE RESIDUI:** È possibile attivare un allarme che arresta la macchina una volta spremuto il numero di arance desiderato, in modo da poter sapere quando è necessario svuotare la vaschetta delle bucce.

**TARATURA:** Si può effettuare una taratura per il corretto conteggio della macchina in qualsiasi momento.

**STATO DELLA MACCHINA:** Si può accedere alle varie anomalie che possono causare un arresto della macchina.

**CONTRASTO:** Si può regolare l'intensità della brillantezza del display.

**Ricordare!** All'interno della modalità **MENÙ CLIENTE**:

"Premi **OK**" per abbassare il livello.

"Premi **OK almeno 2 secondi**" per alzare il livello.

"Premi **OK almeno 2 secondi**" per registrare un dato (Apparirà il simbolo di registrazione).

Per uscire dal **MENÙ CLIENTE**, si deve salire tutti i livelli scesi.

## Diagramma di menù Menù principale



1	<b>LINGUA.</b> Scegliere la lingua di funzionamento della macchina.	<b>PULPOUT.</b> Seleziona la modalità di funzionamento del Sistema PulpOut Automatico.	6
2	<b>PIN.</b> Vedere o cambiare il PIN.	<b>TARATURA.</b> Per realizzare una taratura della macchina per un corretto conteggio.	7
3	<b>CONTATORE.</b> Vedere il contatore totale o parziale della macchina.	<b>STATO.</b> Accedere alle varie anomalie che abbiano potuto causare un arresto nella macchina.	8
4	<b>MODALITÀ.</b> Selezionare la modalità di lavoro: automatico o professionale.	<b>CONTRASTO.</b> Per regolare l'intensità della brillantezza del display.	9
5	<b>LIMITE RESIDUI.</b> Attivare un avviso per sapere quando svuotare la vaschetta delle bucce.		



## Pulizia

Zumex raccomanda di pulire la macchina minimo 1 o 2 volte al giorno, a seconda dell'uso, per mantenere condizioni igienico-alimentari ottimali.

Zumex raccomanda l'uso del Detersivo **Zumex Citric Active™** appositamente studiato per la pulizia degli spremiagrumi ad alto potere decalcificante per cera e polpa.

### Per una pulitura corretta si dovranno rispettare i passi seguenti:

- A** Tutti i pezzi in plastica si possono lavare in lavastoviglie, tranne che il Serbatoio succo Speed Pro Cooler.
- B** Per evitare l'ossidazione prematura dell'acciaio inossidabile non si consiglia di lavare in lavastoviglie il Rubinetto Self Service Up (44U), Rubinetto Self Service S +plus (44+).

### Per tutti i modelli

- 1** Scollega la macchina dalla presa elettrica.
- 2** Per montare e smontare leggi il paragrafo di ogni componente indicato dentro al capitolo *Montaggio e smontaggio dei componenti in base al modello*.
- 3** Smonta le Uscite laterali.
- 4** Smonta il Carter.
- 5** Monta e smonta i componenti in base al modello.

### Speed Pro Basic, Speed Up, Speed Up All-in-One, Speed Cooler Podium

- 6** Smonta il Portalama tirandolo verso di té dal manico.
- !** **ATTENZIONE!** Maneggia questo pezzo con molta cura perché ti ci potresti tagliare.
- 7** Rimuovi gli estrattori di bucce (**Fig. 1**) dai supporti.
- 8** Smonta i tamburi di spremitura a coppia, svitando le viti di sicurezza che li sorreggono (**Fig. 1**).
- 9** Smonta le vaschette e i filtri di succo, secondo il modello. Vedi l'apposita figura, secondo la sezione Disimballaggio e messa in servizio.

### Speed S +plus Self Service, Speed S +plus All-in-One, Speed S +plus Tank All-in-One

- 6\*** Smonta il (19+) Kit di Estrazione 1 Step della macchina.  
Puoi eseguire due tipi di pulizia:
  - **Pulizia del kit completo:** una volta estratto il kit dalla macchina, elimina i possibili residui di polpa e di buccia lavando con acqua e se necessario con sapone neutro. È anche possibile metterlo in lavastoviglie assemblato e farlo lavare.
  - **Pulizia in profondità:** tutti i componenti sono smontabili individualmente per una pulizia più approfondita dei pezzi. Zumex raccomanda una pulizia profonda del kit di estrazione almeno una volta alla settimana secondo l'utilizzo della macchina.
- 7\*** Smontare il Portalama S +plus (9+) e procedere a pulirlo con attenzione per non ferirsi con il filo.
- 8\*** Smontare il Sistema PulpOut Automatico (42+).
- 9\*** Per la corretta pulizia di tutti i componenti del sistema, questi possono essere smontati e lavati individualmente. Puoi farlo manualmente o in lavastoviglie.

### Considerazioni

- C** Pulizia degli elementi non smontabili: usa un panno con acqua tiepida e sapone, dopodiché risciacqua.
- D** Ricorda che ci sono pezzi che, anche se sono simili, si montano su lati diversi.
- E** Pezzi trasparenti e lavastoviglie: il lavaggio di questi pezzi nella lavastoviglie è possibile, anche se è necessario fare attenzione all'uso corretto di sapone, sale e brillantante per evitare che i pezzi perdano lucentezza e trasparenza.
- F** Nei modelli dotati di Rubinetto: Svita il Rubinetto dalla vaschetta, separa il pulsante dal corpo per effettuare una pulizia omogenea. Smonta i rubinetti per una pulizia approfondita come indicato nei paragrafi: Rubinetto SS Up (44U), Rubinetto SS S +plus (44+), Rubinetto Tank (55) di *Montaggio e smontaggio dei componenti in base al modello*.
- G** Nei modelli con Drain&Clean System, Zumex raccomanda di eseguire una pulizia all'interno del tubo, introducendo la spazzola lunga (**Fig. 7.1**) per l'apertura dell'alimentatore, almeno una volta alla settimana. Questo processo eviterà possibili inceppamenti nella zona.
- H** Che si tratti di un modello dotato di Drain&Clean System, o meno, è opportuno smontare il piatto giratorio dell'alimentatore, per la completa eliminazione di cera o rimasugli di sporcizia.
- I** Per qualsiasi zona di difficile accesso, per la pulizia si consiglia di utilizzare la spazzola (**Fig. 1**) fornita con la macchina.



## Accessori

Troverai un'ampia gamma di accessori con i quali poter configurare la tua macchina spremiagrumi a seconda delle tue esigenze

### Kit 1Step

Con questo accessorio potrai smontare il gruppo di spremitura in solo 10" e far sì che la macchina funzioni con l'altro Kit.

\*Accessorio disponibile per tutti i modelli Speed S +plus. Include gruppo di spremitura.

### Fodero gomito M

Impedisce l'accesso alla frutta presente all'interno del gomito alimentatore M per evitare il contatto con agenti esterni.

### Fodero gomito L

Impedisce l'accesso alla frutta presente all'interno del gomito alimentatore L per evitare il contatto con agenti esterni.

### Vassoio 2 posizioni

Accessorio disponibile per i podium Black per offrire un servizio di spremute in bicchiere e in bottiglia.

### Coperchio cesta

Chiude e impedisce l'accesso alla cesta delle arance.

### Kit Pulp Cover

Elemento che copre il rimuovi-polpa nascondendo la polpa ed evitando eventuali schizzi.

### Kit S / Kit 1Step S

Per usare frutta di diametri da 45 mm a 67 mm.

### Kit L / Kit 1Step L

Per usare frutta di diametri da 75 mm a 95 mm.

### Sistema DCS

Per spremere agrumi morbidi o troppo maturi.

### Mobile Display

Per avere sempre le tue bottiglie di succo appena spremuto fresche e pronte da dar via. Disponibile in due misure.

### Kit Controbanco

Gestione integrata degli scarti sul banco nel modo più pratico e pulito.

### Set Portabottiglie

Ideale per contesti di self service dove si devono distribuire bottiglie, boccali, bicchieri. Include tre vassoi (disposti su 4 altezze). La loro sistemazione è integrata nel piedistallo e permette di trasportare tutto il set con facilità.

### Zumex Pack

Permettono di imbottigliare bibite fresche per la loro commercializzazione, soprattutto il succo d'arancia appena spremuto. In 6 formati di bottiglie (da 1,5 l, 1 l, 75 cl, 50 cl, 33 cl e 25 cl) ed etichette personalizzabili.

Vedi sul sito Zumex [www.zumex.com](http://www.zumex.com) le informazioni sugli accessori che possono essere collegati alla tua macchina.



## Rilevamento di guasti e consigli

Per eliminare un errore, premere il tasto **OK** brevemente, e verificare che sia stata corretta la causa del guasto, come indicato nella tabella sotto.

GUASTO 	POSSIBILE CAUSA 	SOLUZIONE 
<b>01 Involucro</b>	Non rileva la Sicurezza del carter	Verificare posizione carter Verificare posizione Uscita Laterale Verificare posizione calamita Verificare cavi collegati Verificare sensore carter
<b>02 Vaschetta</b>	Non rileva vaschetta	Verificare posizione vaschetta Verificare collegamento cavi Verificare sensore vaschetta
<b>03 Alim. Motore</b>	Il motore non funziona a una tensione corretta	Verificare Tensione di rete Verificare Scheda elettronica
<b>04 Interruzione</b>	Interruzione elettrica	Verificare cavo tensione di rete Verificare collegamento interno dei cavi
<b>05 Sovracorrente</b>	Il motore ha un sovrac consumo	Verificare ostacoli nel sistema di spremitura Verificare la durezza della frutta Verificare motore Verificare refrigerazione
<b>06 No Galleggiante</b>	Non rileva galleggiante	Installare correttamente il galleggiante Collocare serbatoio correttamente Verificare cavi Verificare sensore
<b>07 Credito</b>	Limite contatore raggiunto	Eliminare limite contatore Riprogrammare limite contatore
<b>08 Limite residui</b>	Limite contatore raggiunto	Premere "OK" prolungatamente fino a sentire un doppio "beep"



[zumex.com](http://zumex.com)



## EU DECLARATION OF CONFORMITY

ZUMEX GROUP S.A., whose registered offices are situated at Polígono Industrial de Moncada III, C/ Molí, 2 – 46113 - Moncada, Valencia (Spain) does hereby declare, under its sole responsibility, that **Speed Pro Basic, Speed Pro Cooler Podium, Speed Pro Self-Service, Speed Pro Self-Service Podium, Speed Pro Tank Podium, Speed Up, Speed Up All in One, Speed Up All in One Narrow, Speed S +plus, Speed S +plus All in One, Speed S +plus All in One Narrow, Speed S +plus Tank Podium** juicer machines are in compliance with the provisions of the European Directives detailed below:

2006/42/EU	Security on machinery
2014/35/EU	Electrical equipment designed for use within certain voltage limits
2014/30/EU	Electromagnetic compatibility (EMC)
REG.(EC) N° 1935/2004	Materials and articles intended to come into contact with food
REG.(EC) N° 10/2011	Plastic materials and articles intended to come into contact with food
REG.(EC) N° 2023/2006	Good manufacturing practice for materials and articles intended to come into contact with food
2011/65/EU	Restriction of the use of certain hazardous substances in electrical and electronic equipment (ROHS)
2012/19/EU	Waste electrical and electronic equipment (WEEE)

To ensure such conformity, the above-mentioned model complies with the following harmonized standards and/or regulations:

IEC 60335-1 + A1	2010 2013	Safety of household electrical appliances and similar. Part 1: General requirements
IEC 60335-2-64 + A1	2002 2007	Safety of household and similar electrical appliances. Part 2-64: Particular requirements for commercial electric kitchen machines
EN 62233	2008	Measurement methods for electromagnetic fields of household appliances and similar apparatus with regard to human exposure

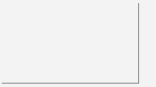
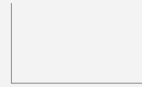
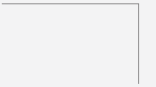
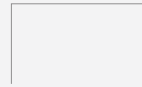
EN 55014-1 + A1 + A2	2008 2009 2012	Electromagnetic compatibility. Requirements for household appliances, electric tools and similar apparatus. Part 1: Emission
EN 55014-2	2015	Electromagnetic compatibility. Requirements for household appliances, electric tools and similar apparatus. Part 2: Immunity. Product family standard
EN 61000-3-2	2014	Electromagnetic compatibility (EMC). Part 3-2: Limits. Limits for harmonic current emissions (equipment input current <= 16 A per phase)
EN 61000-3-3	2013	Electromagnetic compatibility (EMC) - Part 3-3: Limits. Limitation of voltage changes, voltage fluctuations and flicker in public low-voltage supply systems, for equipment with rated current <= 16 A per phase and not subject to conditional connection
NSF/ANSI 8	2012	National Sanitation Foundation. Commercial powered food preparation equipment
NSF/ANSI 51	2014	National Sanitation Foundation. Food equipment materials

Moncada, February 06th, 2019



Francisco Serrano  
Operations Manager

*Warranty*





09029.02  
Jan.2021



#### Zumex Group I Headquarters

Polígono Ind. Moncada III  
C/ Moli, 2 46113 Moncada, Valencia, Spain  
Tel. +34 961 301 251  
zumex@zumex.com

#### Zumex North America

1573 NW 82nd Ave, Miami, FL 33126 USA  
Tel. +1 305 591 0061  
Technical Assistance:  
1-877-ZUMEX-TA (+1 877 986 3982)  
zumexusa@zumex.com

#### Zumex Mexico

Uxmal 616, Colonia Vértiz Narvarte  
Alcaldía Benito Juárez, CP 03600  
Ciudad de México, México  
Tel. +52 (55) 5212-0619  
zumexmexico@zumex.com

#### Zumex UK

10 Philpot Lane First Floor  
EC3M 8AA Londres, Reino Unido  
Tel. +44 20 3519 1292  
zumexuk@zumex.com

#### Zumex France

45 rue de Villeneuve  
94573 Rungis Cedex, Paris, France  
Tel. +33 975 187 354  
zumexfrance@zumex.com

#### Zumex Deutschland

Elisabethstraße 11  
40217 Düsseldorf - Deutschland  
Tel. +49 211 418 73351  
zumexdeutschland@zumex.com

[zumex.com](http://zumex.com)

